



soberton inc.

WSP WATERPROOF SPEAKER

Acoustic Product Specification

Product Number: WSPH-2415



Release | Revision: B/2018

CONTENTS

This document contains the technical specifications for the waterproof speaker unit.

Page 1

Speaker Electroacoustic Characteristics

General Specifications

Page 2

Reliability Tests

Page 3

Measuring Method (Speaker Mode)

Standard Test Condition of Speakers

Page 4

Frequency Response Curve

Page 5

Dimensions

Page 6

Packing

Dynamic Speaker Electroacoustic Characteristics

Sound Pressure Level

89±3dB SPL @0.8, 1.0, 1.2 and 1.5KHz in 0.1W/0.1M
Measuring Condition: shown in Figure.1 & Figure.2

Frequency Response Curve

As shown in Figure 3

Frequency Range

F0 ~ 10KHz

Response Frequency

1000±20%Hz

Input Power (Nominal and Maximum)

Rated Noise Power 1.0W
Short Term Max Power 1.2W

Buzz, Rattle, Etc.

Must be normal at sine wave between (F0 ~ 20KHz at 2.83V)

Distortion

Less than 5% @1KHz, 1W

Polarity

When a positive DC current is applied, the Diaphragm will engage forward.
Current is a positive(+). The red wire is positive (+).

General Specifications

Temperature Range

Operating Temperature -30°C~+70°C
Storage Temperature -40°C ~ +80°C

Standard Test Conditions

Temperature 17°C ~ 25°C
Relative Humidity 45% ~ 80% (RH)

AC Impedance

8±15%Ω

Dimension

24.0 x 15.0 xH4.1 mm
WIRE 315mm (UL1571 / AWG32#)

IP Level

IP67



soberton inc.

WSP WATERPROOF SPEAKER

Acoustic Product Specification

Product Number: WSPH-2415



Release | Revision: B/2018

CONTENTS

This document contains the technical specifications for the waterproof speaker unit.

Page 1
Speaker Electroacoustic Characteristics

General Specifications

Page 2
Reliability Tests

Page 3
Measuring Method (Speaker Mode)

Standard Test Condition of Speakers

Page 4
Frequency Response Curve

Page 5
Dimensions

Page 6
Packing

Reliability Tests

After any following test, parts should conform to original performance within ± 3 dB tested with Rated Power, after 6 hours of recovery period.

High Temperature Test

High Temperature $+70\pm 3^{\circ}\text{C}$

Duration 96 hours

Low Temperature Test

Low Temperature $-30\pm 3^{\circ}\text{C}$

Duration 96 hours

Humidity Test

Temperature $+30\pm 3^{\circ}\text{C}$

Relative Humidity 90%~96%

Duration 96 hours

Vibration Test

Frequency Range: 10Hz ~ 50Hz ~ 10Hz

Amplitude 1.5mm

Duration 2 hours each of 3 perpendicular directions

Temperature Cycle Test

Temperature -25°C $+65^{\circ}\text{C}$

Duration 6 hours 6 hours

Temperature gradient $\pm 2^{\circ}\text{C}$

Cycle 5

Drop Test

Drop the speaker contained in normal box onto the surface of 40mm thick board 10 times from the height of 75cm

Operation Life Test

Must Perform normal with program White-Noise source at Rated Power for 96 hours

Lead Wire Pull Strength

The pull force shall be applied to double lead wire:

Horizontal 3.0N(0.306kg) for 30 seconds.

Vertical 2.0N(0.204kg) for 30 seconds.



soberton inc.

WSP WATERPROOF SPEAKER

Acoustic Product Specification

Product Number: WSPH-2415



Release | Revision: B/2018

CONTENTS

This document contains the technical specifications for the waterproof speaker unit.

Page 1

Speaker Electroacoustic Characteristics

General Specifications

Page 2

Reliability Tests

Page 3

Measuring Method (Speaker Mode)

Standard Test Condition of Speakers

Page 4

Frequency Response Curve

Page 5

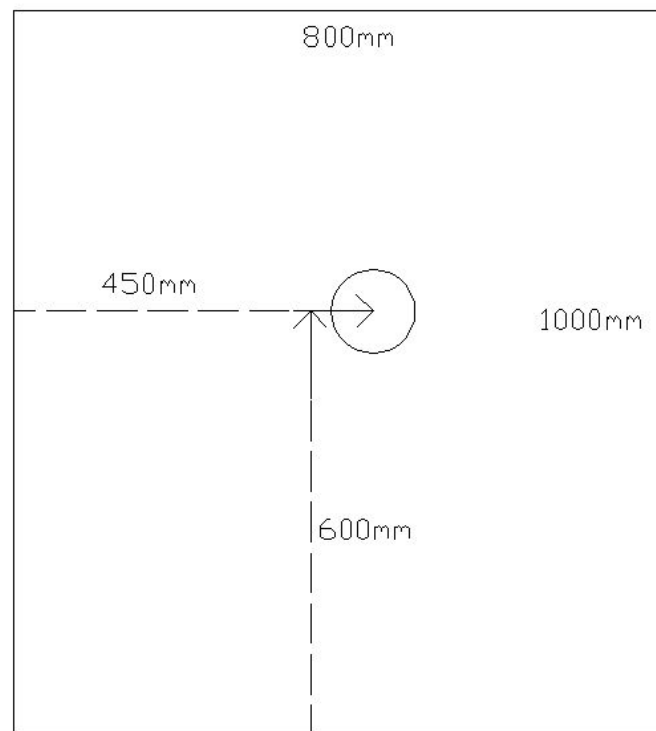
Dimensions

Page 6

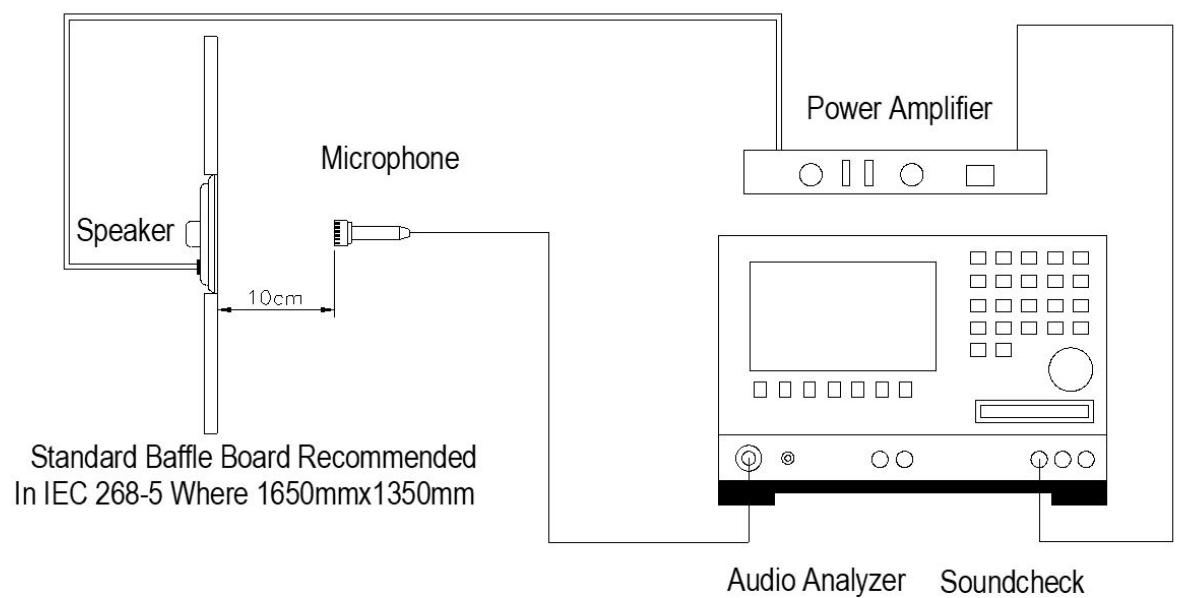
Packing

Measuring Method (Speaker Mode)

Block Diagram for Measurement method



Standard Test Condition of Speaker (Fig. 1)





soberton inc.

WSP WATERPROOF SPEAKER

Acoustic Product Specification

Product Number: WSPH-2415



Release | Revision: B/2018

CONTENTS

This document contains the technical specifications for the waterproof speaker unit.

Page 1

Speaker Electroacoustic Characteristics

General Specifications

Page 2

Reliability Tests

Page 3

Measuring Method (Speaker Mode)

Standard Test Condition of Speakers

Page 4

Frequency Response Curve

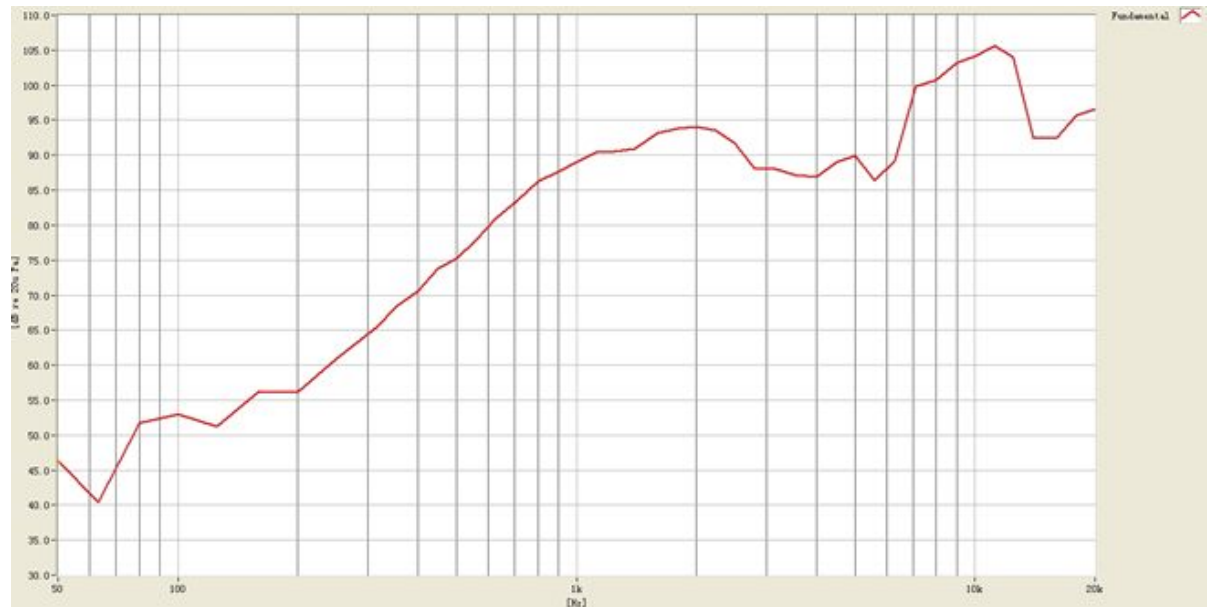
Page 5

Dimensions

Page 6

Packing

Frequency Response Curve (Fig. 3)





soberton inc.

WSP WATERPROOF SPEAKER

Acoustic Product Specification

Product Number: WSPH-2415



Release | Revision: B/2018

CONTENTS

This document contains the technical specifications for the waterproof speaker unit.

Page 1

Speaker Electroacoustic Characteristics

General Specifications

Page 2

Reliability Tests

Page 3

Measuring Method (Speaker Mode)

Standard Test Condition of Speakers

Page 4

Frequency Response Curve

Page 5

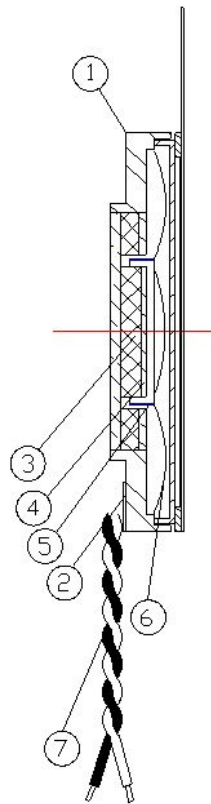
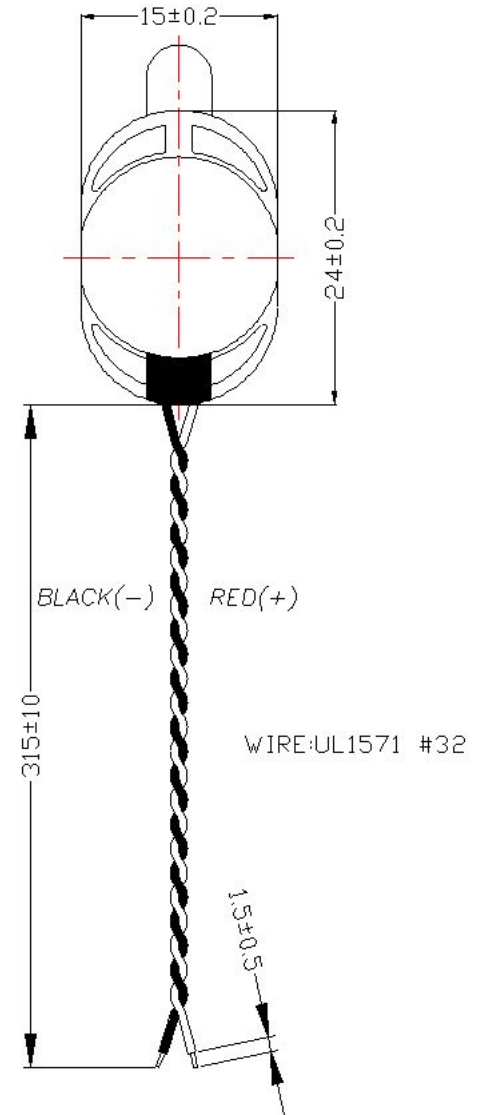
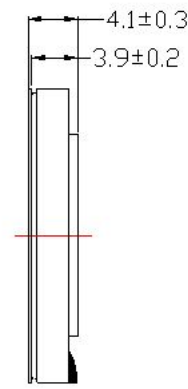
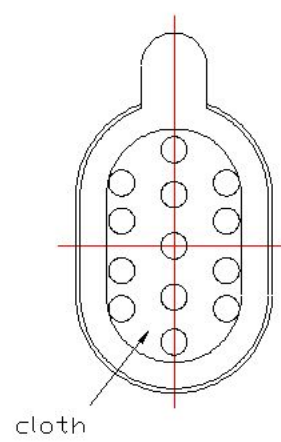
Dimensions

Page 6

Packing

Dimensions

Tolerance: ± 0.2 (unit: mm)



No.	Part Name	Material	Quantity
1	Frame	ABS	1
2	PCB Terminal	FR-4	1
3	Magnet	NdFeB	1
4	Plate	SPCC	1
5	Voice Coil	Cu	1
6	Diaphragm	PEN	1
7	Wire (315mm)	UL1571 / AWG32#	2



soberton inc.

WSP WATERPROOF SPEAKER

Acoustic Product Specification

Product Number: WSPH-2415



Release | Revision: B/2018

CONTENTS

This document contains the technical specifications for the waterproof speaker unit.

Page 1

Speaker Electroacoustic Characteristics

General Specifications

Page 2

Reliability Tests

Page 3

Measuring Method (Speaker Mode)

Standard Test Condition of Speakers

Page 4

Frequency Response Curve

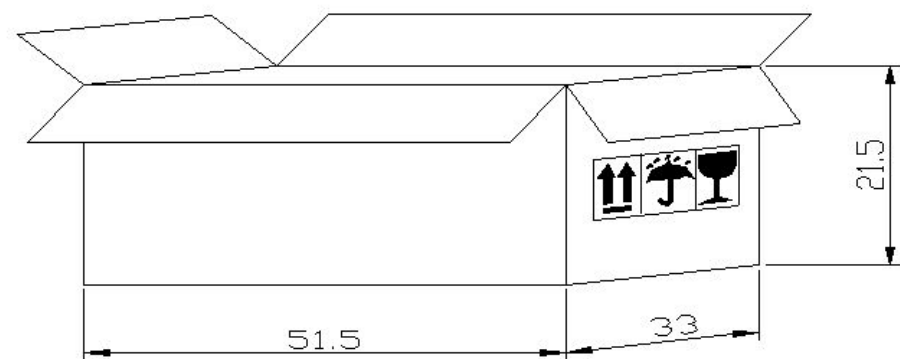
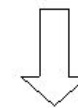
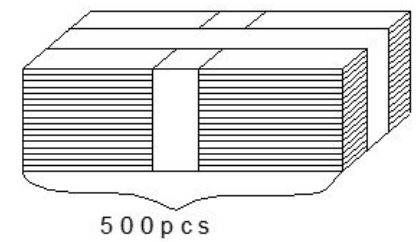
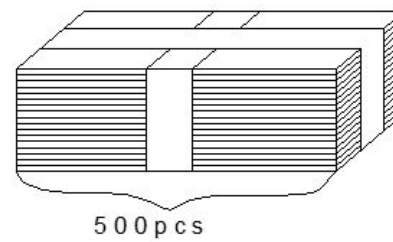
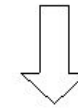
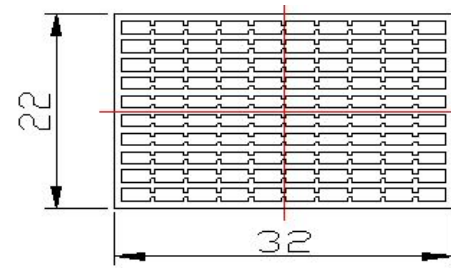
Page 5

Dimensions

Page 6

Packing

Packing



Remarks

50pcs per tray

10 trays for unit, 2 units per carton

Total: 1000 pcs per box

Size: 51.5x33x21.5cm