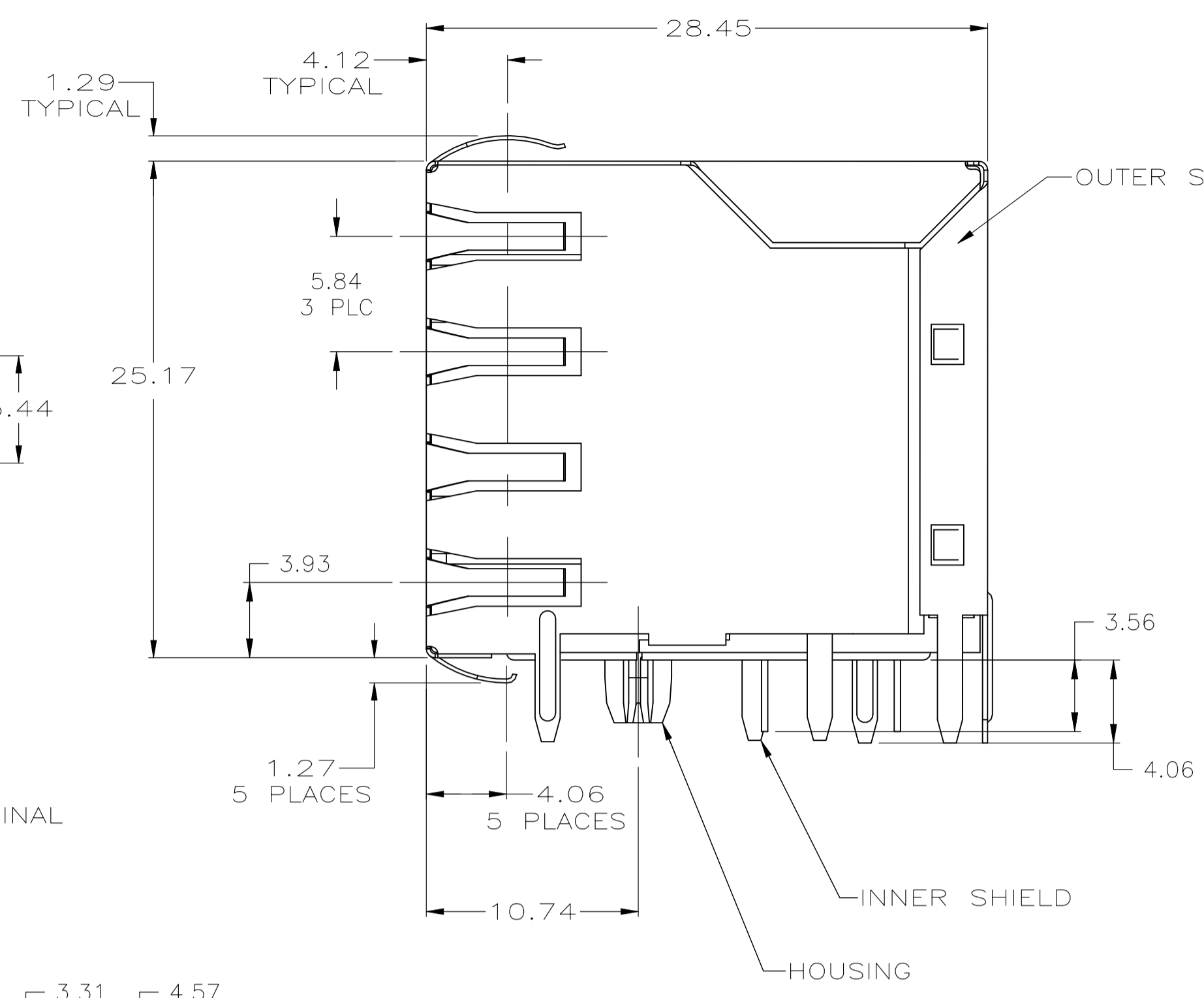
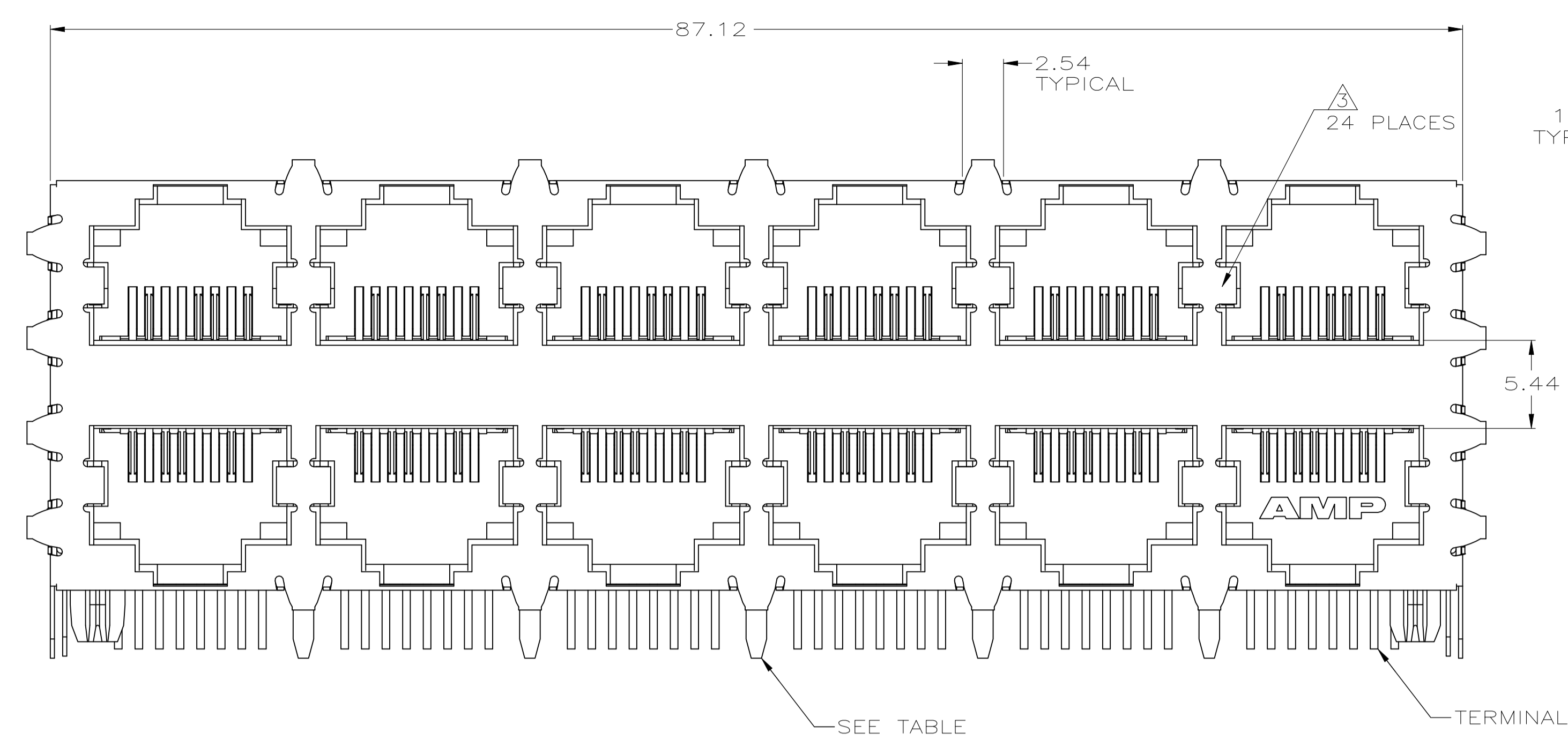
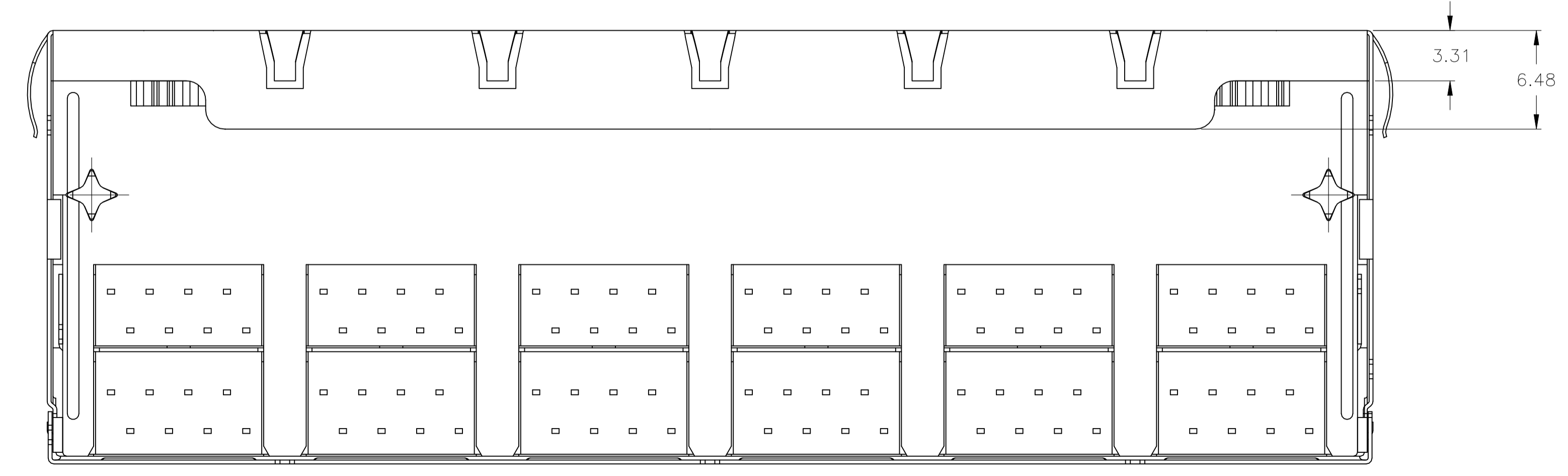
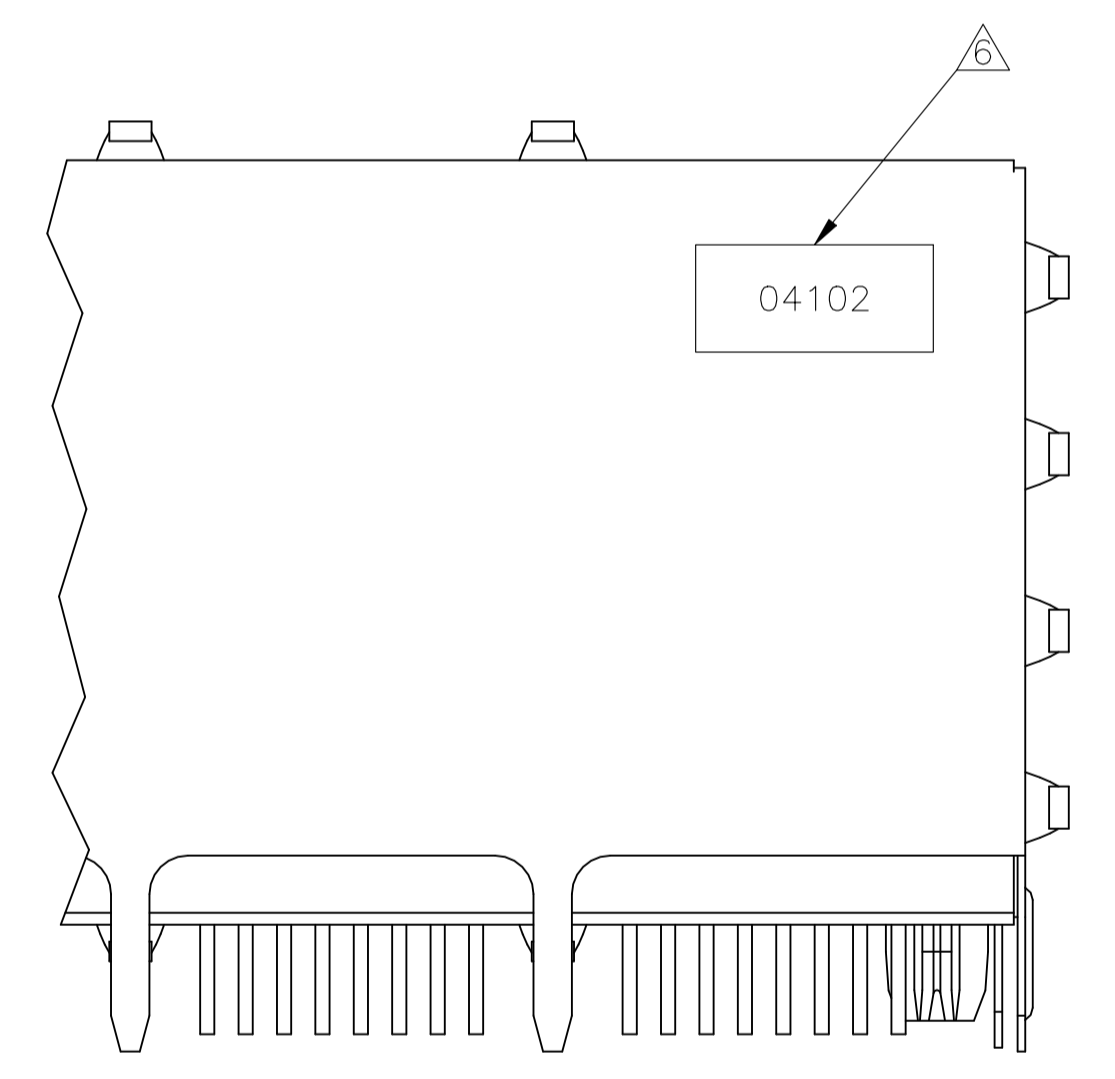
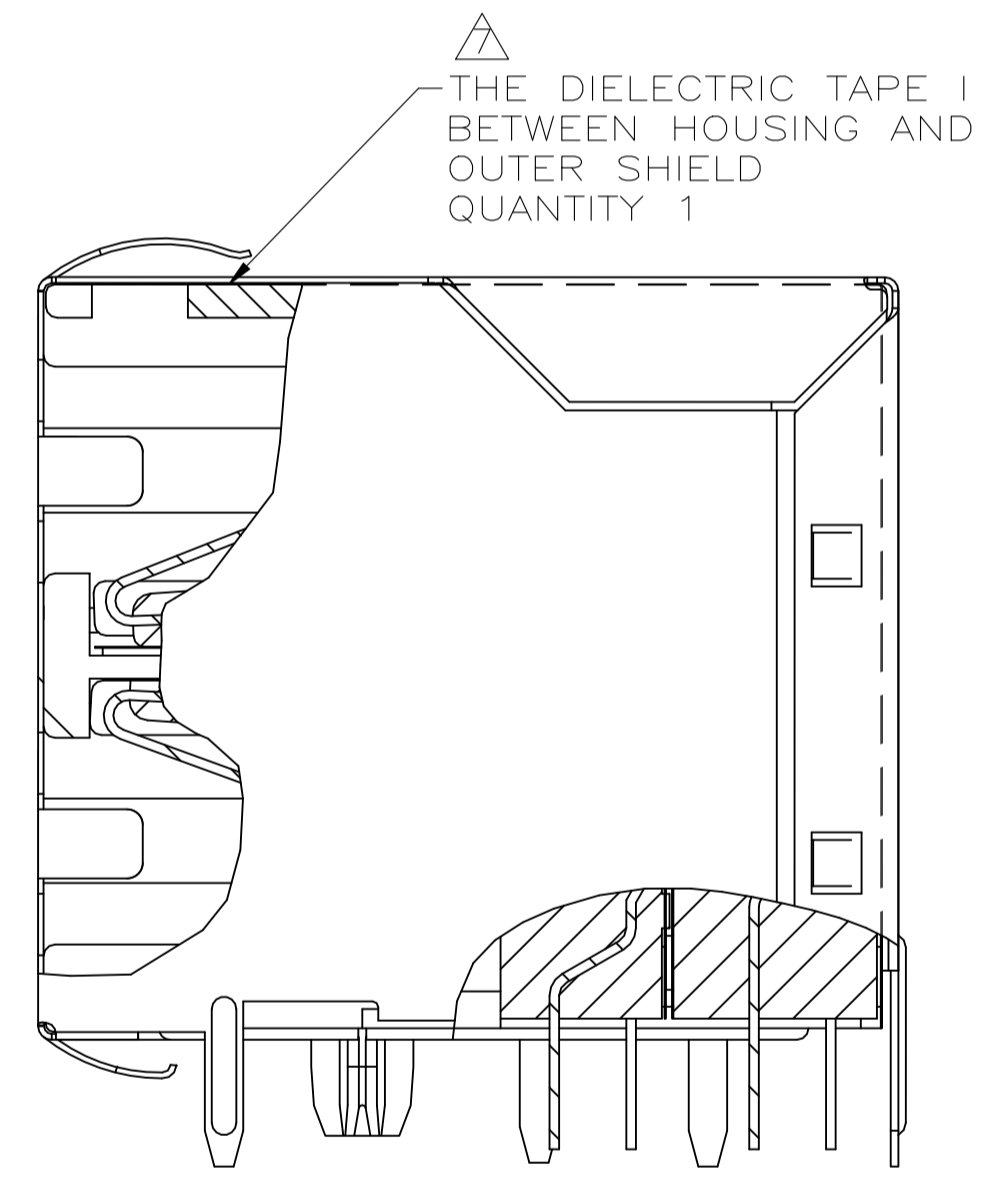
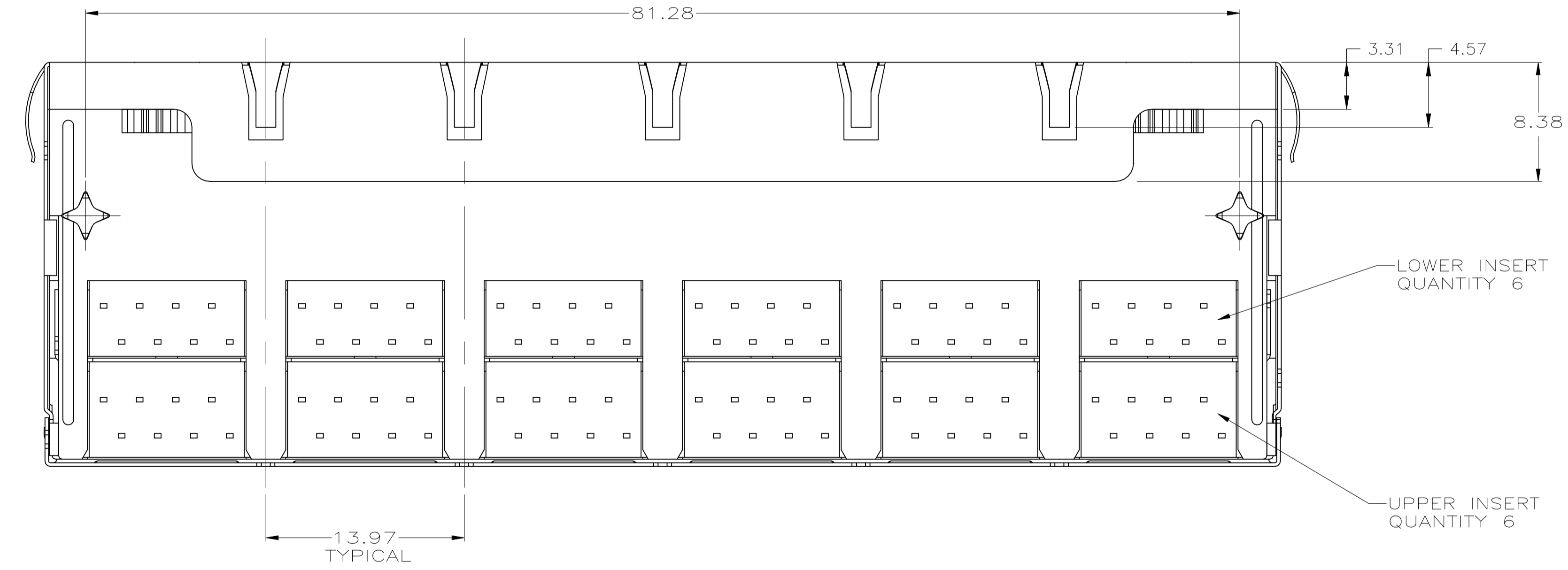


REVISIONS					
REV	DESCRIPTION	DATE	BY	CHK	APP'D
D1	REVISED AS PER ECR-23-169440	19APR2023	JK	WH	



- △ MATERIAL: HOUSING - HIGH TEMPERATURE THERMOPLASTIC, BLACK, UL 94V-0. OVERMOLDED TERMINAL ARRAY - PBT, BROWN. TERMINALS - 0.33 [.013] THICK PHOSPHOR BRONZE PLATED WITH 1.27μm [.000050] MIN THICK HARD GOLD IN LOCALIZED AREA AND 3.81μm [.000150] MIN THICK MATTE TIN IN SOLDER AREA OVER 1.27μm [.000050] MIN THICK NICKEL UNDERPLATE. OUTER SHIELD AND INNER SHIELD: 0.196 [.0077] THICK COPPER ALLOY PLATED 1.27μm [.000050] MIN NICKEL, PCB GROUND TABS DIPPED WITH 2.03μm [.000080] MIN TIN.
- △ JACK CAVITY CONFORMS TO FCC RULES AND REGULATIONS, PART 68 SUBPART F.
- △ INNER SHIELD TABS FINAL FORMED AND SIZED BY MATING WITH MODULAR PLUGS TO REDUCE INITIAL MATING INSERTION FORCE. APPLIES TO PN 6116000-1 & -4 ONLY.
- △ USE #30 DRILL BIT OR 3.25mm DRILL BIT WHEN PRODUCING THESE PCB HOLES.
- 5. ALL DIMENSIONS NOMINAL UNLESS OTHERWISE SPECIFIED.
- △ DATE CODE LOCATED ON REAR OF PART APPROX AS SHOWN: FIRST 2 DIGITS ARE LAST 2 DIGITS OF YEAR, SECOND 2 DIGITS ARE MANUFACTURING WORK WEEK, LAST DIGIT IS DAY OF WEEK, WITH SUNDAY=1.
- △ THE DIELECTRIC TAPES ARE ONLY FOR PN 6116000-4.
- △ THE PN 6116000-4 IS PRELIMINARY.
- △ DIELECTRIC WITHSTANDING VOLTAGE: 2250 VDC BETWEEN CONTACT AND SHIELD.
- △ WITH IMPROVED CONTACT, REDUCING CONFLICTS WITH PLUG.

PN 6116000-2 & -3 SHOWN



PN 6116000-1 & -4 SHOWN
(WITH SHORT BOTTOM PANEL GROUND TABS AND 3 REAR TABS)

MATERIAL	FINISH	HOLES USED	NO. OF REAR TABS	PART NUMBER
NICKEL	A,C,E	3	3	6116000-4
NICKEL	A,B,C,D,E	5	5	6116000-3
NICKEL	A,B,C,D,E	5	5	6116000-2
NICKEL	A,C,E	3	3	6116000-1

THIS DRAWING IS A CONTROLLED DOCUMENT.

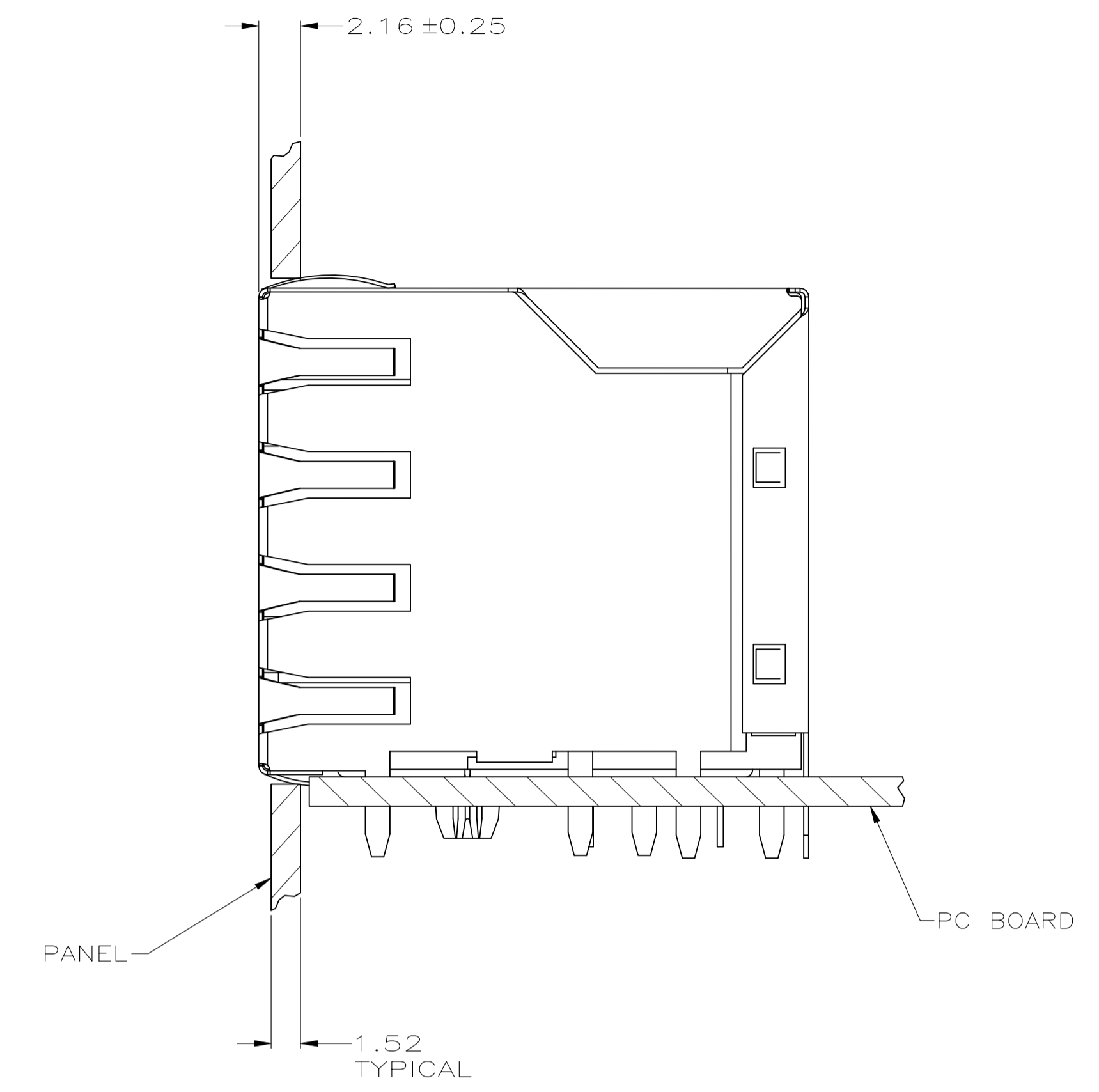
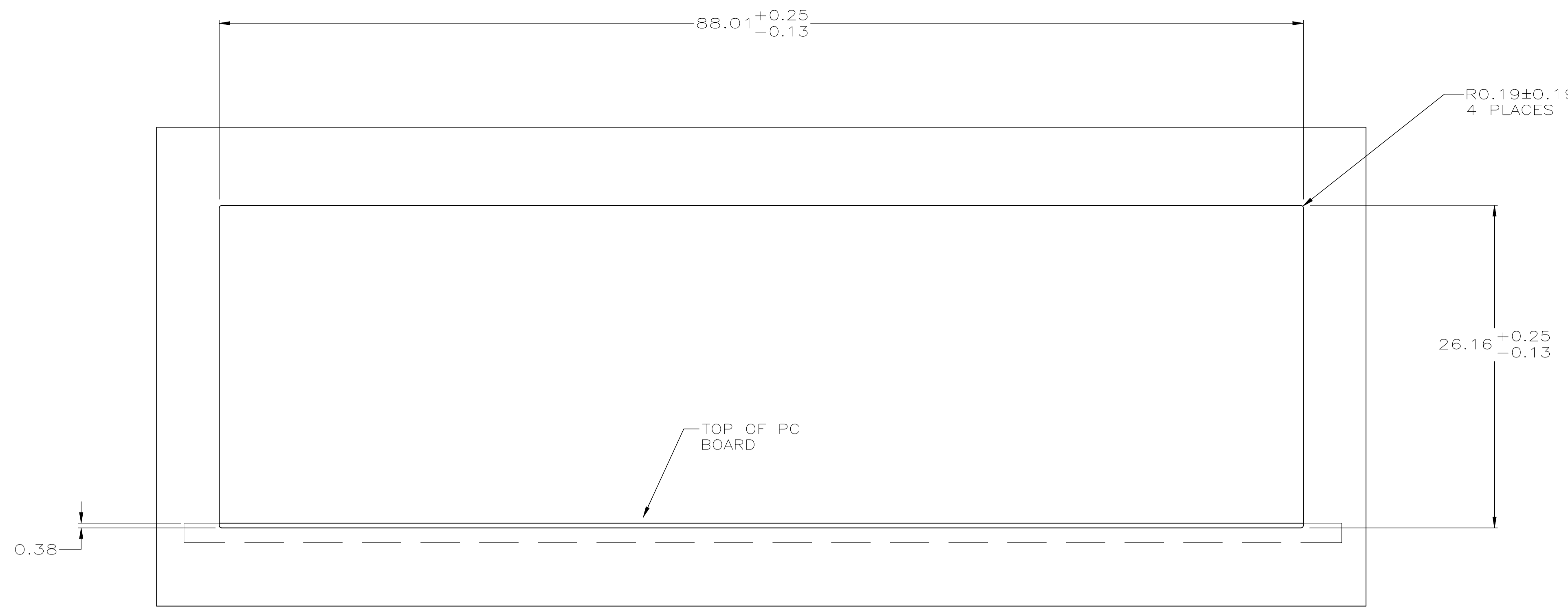
DIMENSIONS: mm	TOLERANCES UNLESS OTHERWISE SPECIFIED:	0 PLC ± 0.13	1 PLC ± 0.13	2 PLC ± 0.13	3 PLC ± 0.13	4 PLC ± 0.13	ANGLES ±
----------------	--	--------------	--------------	--------------	--------------	--------------	----------

DATE	08/JUN/2005	BY	L. VARELA - DOCKS
DATE	08/JUN/2005	CHK	J. WESTMAN
DATE	08/JUN/2005	APP'D	S. FLICKINGER
NAME	STACKED MODULAR JACK ASSEMBLY, 2x6 PORT, RJ45, SHIELDED, WAVE PANEL		
PRODUCT SPEC	108-1163-2		
APPLICATION SPEC	114-2048		
SIZE	A1	SCALE	4:1
WEIGHT	-	DRAWING NO.	00779
CUSTOMER DRAWING	SCALE	4:1	SHEET 1 OF 2

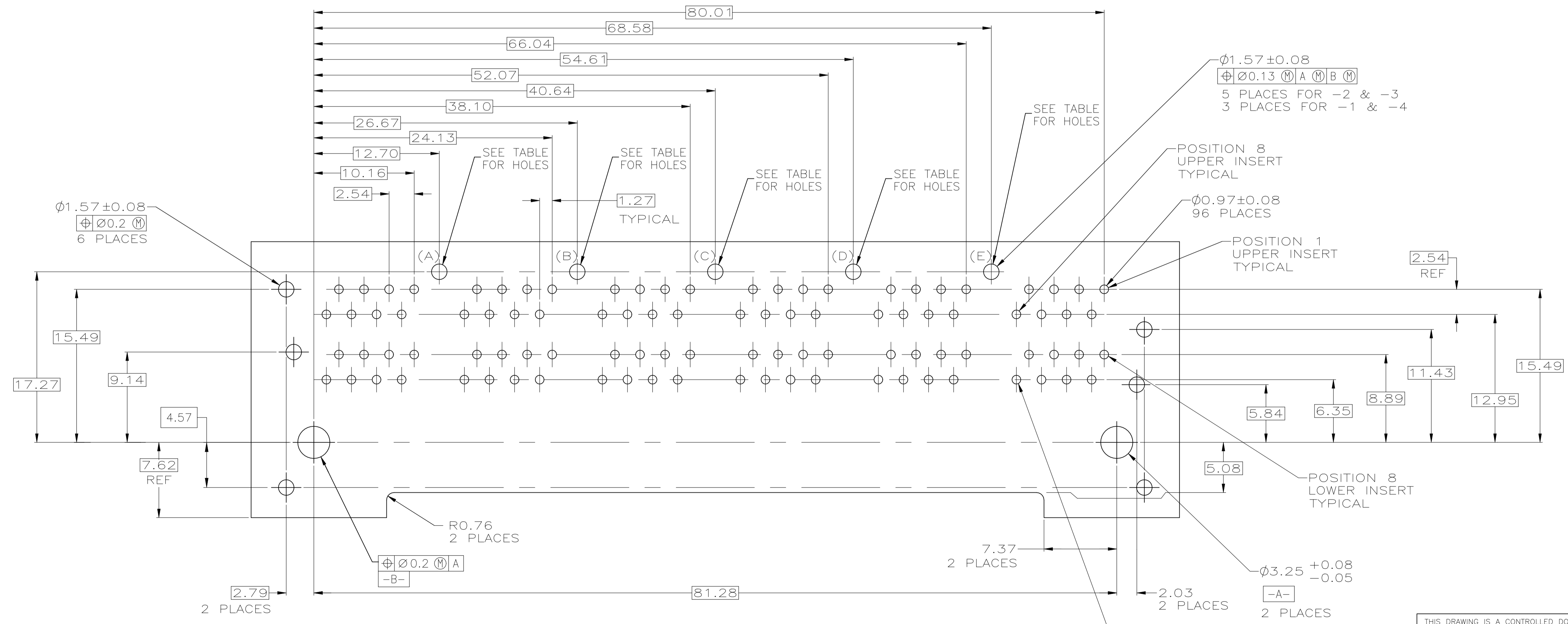
RESTRICTED TO

TE Connectivity Ltd.

REVISIONS				
P	LTR	DESCRIPTION	DATE	APP'D
-	SEE SHEET 1			



SUGGESTED PANEL CUTOUT DIMENSIONS



PC BOARD LAYOUT VIEWED FROM COMPONENT SIDE

THIS DRAWING IS A CONTROLLED DOCUMENT.		DIN L VARELA - DOCKS 08/JUN/2005	TE Connectivity Ltd.
DIMENSIONS: mm		CHK J. WESTMAN 08/JUN/2005	
TOLERANCES UNLESS OTHERWISE SPECIFIED:		APP'D S. FLICKINGER 08/JUN/2005	NAME
0. PLC ± 0.13			STACKED MODULAR JACK ASSEMBLY,
1. PLC ± 0.13			2x6 PORT, RJ45, SHIELDED, WAVE PANEL
2. PLC ± 0.13			PRODUCT SPEC 108-1163-2
3. PLC ± 0.13			APPLICATION SPEC 114-2048
4. PLC ± 0.13			SIZE CAGE CODE DRAWING NO RESTRICTED TO
ANGLES ± -			A1 00779 C=6116000
MATERIAL 1	FINISH 1	WEIGHT -	CUSTOMER DRAWING SCALE 4:1 SHEET 2 OF 2 REV D1