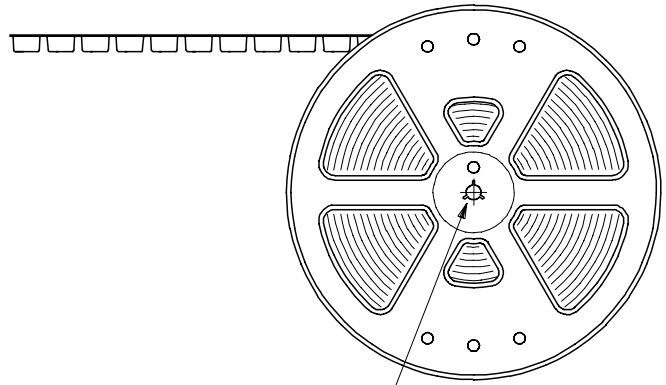
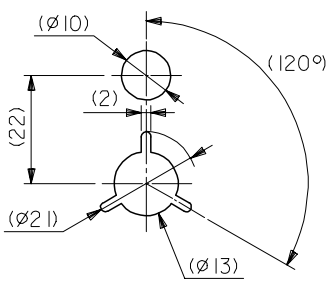


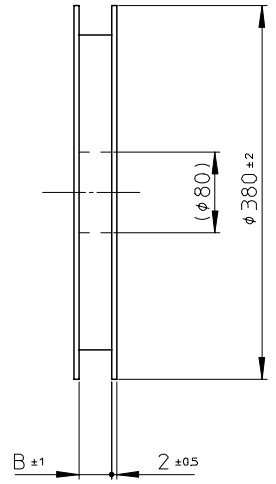
引き出し方向  
PULL OUT  
DIRECTION



"F"



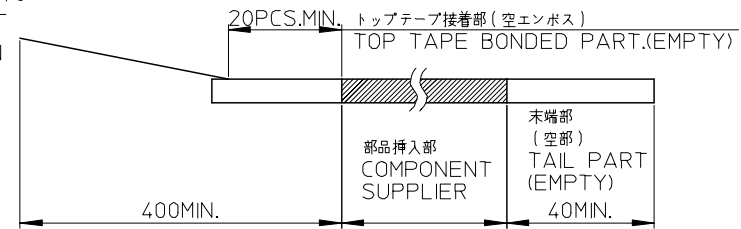
DETAIL "F"



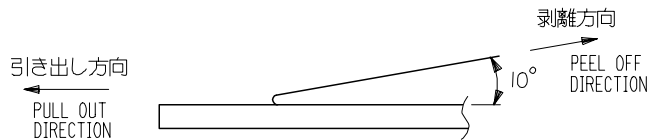
NOTES

- 製品詳細寸法については図面 SD-54722-011 を参照下さい。  
DETAILED DIMENSION PLEASE REFER TO THE SD-54722-011.
- 梱包数量 : 3000個/リール  
NUMBER OF CONNECTORS : 3000PCS/REEL
- リードテープ長さ  
LEAD TAPE LENGTH

引き出し方向  
PULL OUT  
DIRECTION



- トップテープの剥離強度 : 0.1N~1.0N (剥離方向は下図参照)  
尚、本規格は出荷時に適用。(ただし、輸送時に剥離が発生しないこと。)  
PEELING OFF FORCE OF TOP TAPE : 0.1N~1.0N  
(PEELING DIRECTION AS SHOWN IN THE FOLLOWING FIGURE.)  
THIS REQUIREMENT SHOULD BE APPLIED AT SHIPMENT.  
PEEL OFF SHOULD NOT BE ALLOWED DURING TRANSPORTATION,



- 材料(MATERIAL)  
キャリアテープ : 導電性ポリスチレン(PS)  
CARRIER TAPE : CONDUCTIVE POLYSTYRENE(PS)  
トップテープ : 帯電防止ポリエチレンテレフタレート(PET)、ポリエチレン(PE)  
TOP TAPE : ANTISTATIC POLYETHYLENE TEREPHTHALATE(PET)  
POLYETHYLENE(PE)  
リール : 帯電防止ポリスチレン (リサイクル材を含む)  
REEL : ANTISTATIC POLYSTYRENE(PS)  
(RECYCLED MATERIAL CONTAINED)

RELEASED EC NO: J2006-1799 DRWN: YNUKANOBU 2005/11/29 CHKD: YNUKANOBU 2005/11/29 APPR: THIRATA 2005/11/29 REV: 0	GENERAL TOLERANCES (UNLESS SPECIFIED)		DIMENSION STYLE MM ONLY	SCALE ---	DESIGN UNITS METRIC	THIRD ANGLE PROJECTION
	10 UNDER	±0.2	DRAWN BY YNUKANOBU	DATE 2005/11/28	TITLE 0.5 B TO B CONN. REC. ANTISTATIC EMBSTP PKG -LEAD FREE-	
	10 OVER 30 UNDER	±0.25	CHECKED BY THIRATA	DATE 2005/11/28	MOLEX INCORPORATED	
	30 OVER	±0.3	APPROVED BY MSASAO	DATE 2005/11/28	DOCUMENT NO. SD-54722-013	SHEET NO. 1 OF 2
	ANGULAR	±1 °	MATERIAL NO. 547220205			
DRAFT WHERE APPLICABLE MUST REMAIN WITHIN DIMENSIONS		SIZE A3		THIS DRAWING CONTAINS INFORMATION THAT IS PROPRIETARY TO MOLEX INCORPORATED AND SHOULD NOT BE USED WITHOUT WRITTEN PERMISSION		

10 9 8 7 6 5 4 3 2 1

F

E

D

C

B

A

F

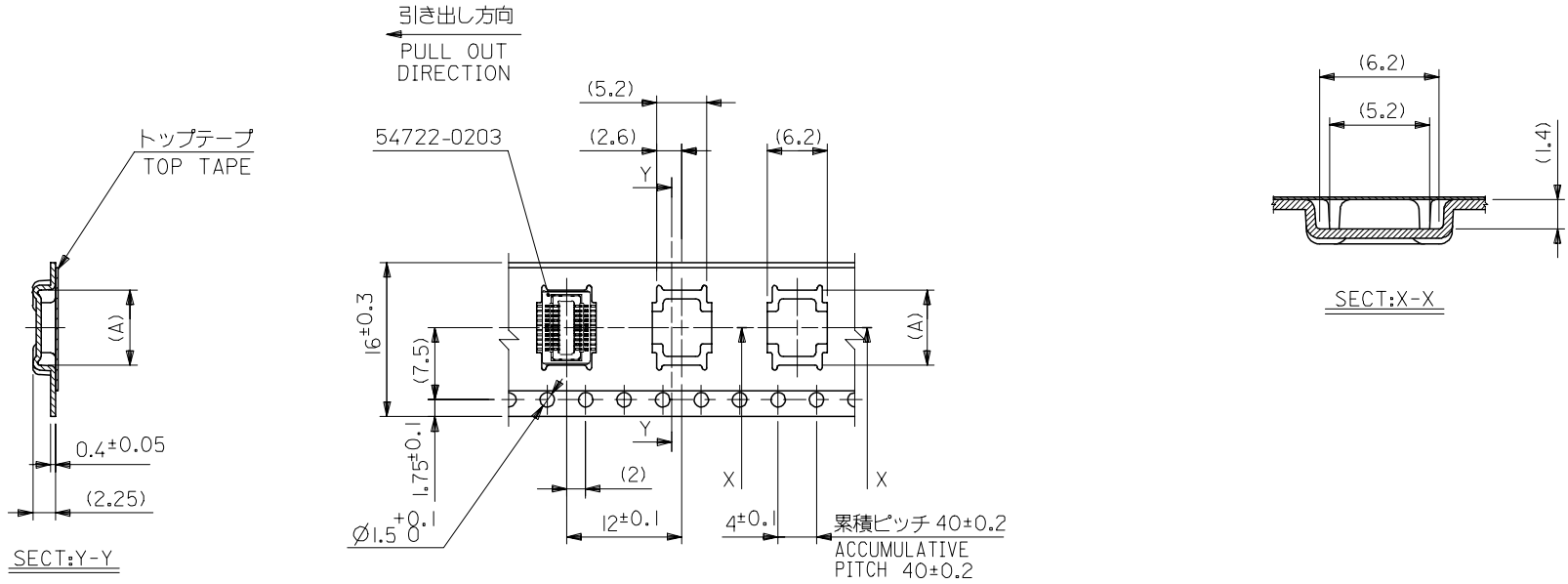
E

D

C

B

A



16mm幅キャリアテープ  
16mm WIDTH CARRIER TAPE

16	17.5	7.8	54722-0205	20
キャリアテープ幅 CARRIER TAPE WIDTH	B	(A)	MATERIAL NO.	種数 CIRCUIT

MODEL No. : 54722-\*\*\*5

RELEASED EC NO: J2006-1799 DRWN: YNUKANOBU 2005/11/29 CHKD: YNUKANOBU 2005/11/29 APPR: THIRATA 2005/11/29 REV: 0	GENERAL TOLERANCES (UNLESS SPECIFIED)		DIMENSION STYLE MM ONLY		SCALE ---		DESIGN UNITS METRIC		THIRD ANGLE PROJECTION	
	10 UNDER	±0.2	DRAWN BY YNUKANOBU	DATE 2005/11/28	TITLE 0.5 B TO B CONN. REC. ANTISTATIC EMBSTP PKG -LEAD FREE- MOLEX INCORPORATED					
	10 OVER 30 UNDER	±0.25	CHECKED BY THIRATA	DATE 2005/11/28						
	30 OVER	±0.3	APPROVED BY MSASAO	DATE 2005/11/28						
	ANGULAR ±1 °		DRAFT WHERE APPLICABLE MUST REMAIN WITHIN DIMENSIONS		MATERIAL NO. 547220205		DOCUMENT NO. SD-54722-013		SHEET NO. 2 OF 2	
THIS DRAWING CONTAINS INFORMATION THAT IS PROPRIETARY TO MOLEX INCORPORATED AND SHOULD NOT BE USED WITHOUT WRITTEN PERMISSION										

9

8

7

6

5

4

3

2