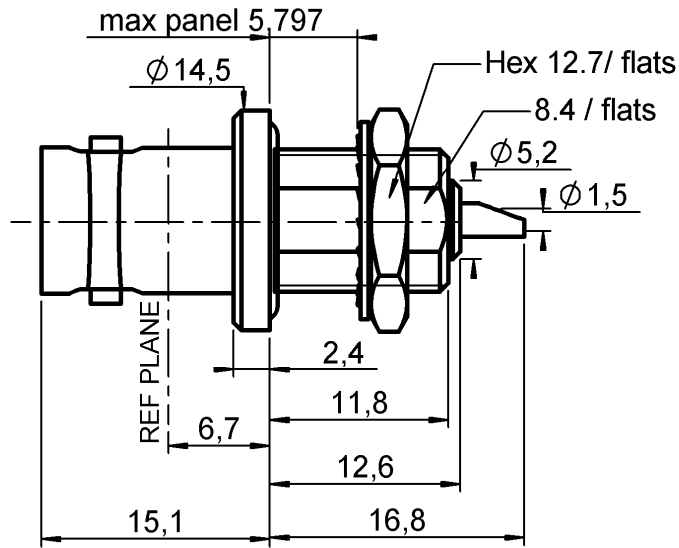


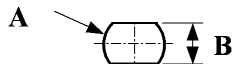
**FEMALE BULKHEAD RECEPTACLE FRONT MOUNT.
COMBINATION SEAL WITH SOLDER POT CONTACT**

R141.603.000

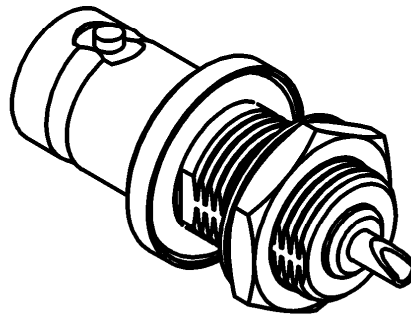
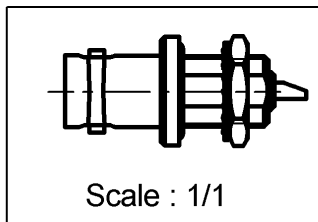
Series : BNC



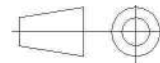
PANEL CUT OUT



mm		
	Maxi	mini
A	9.75	9.65
B	8.65	8.55



All dimensions are in mm.



COMPONENTS	MATERIALS	PLATINGS (μm)
BODY	BRASS	NICKEL 2
CENTER CONTACT	BERYLLIUM COPPER	GOLD 0.5 OVER NICKEL 2
OUTER CONTACT	-	-
INSULATOR	Q200-5	-
GASKET	SILICONE RUBBER	-
OTHERS PARTS	BRASS	NICKEL
-	-	-
-	-	-

Issue : 1104 G

In the effort to improve our products, we reserve the right to make changes judged to be necessary.



**FEMALE BULKHEAD RECEPTACLE FRONT MOUNT.
COMBINATION SEAL WITH SOLDER POT CONTACT**

R141.603.000

Series : BNC

PACKAGING

Standard	Unit	Other
100	'W' option	Contact us

SPECIFICATION

**00368.396-444.957-451.651
48.027-5.560.504-DKS 795170**

ELECTRICAL CHARACTERISTICS

Impedance **50** Ω
 Frequency **0-4** GHz
 VSWR **1.30*** + **0,0000** x F(GHz) Maxi
 Insertion loss **0.05** √F(GHz) dB Maxi
 RF leakage - (**57** - F(GHz)) dB Maxi
 Voltage rating **500** Veff Maxi
 Dielectric withstanding voltage **1500** Veff mini
 Insulation resistance **5000** MΩ mini

ENVIRONMENTAL

Operating temperature **-65/+165** ° C
 Hermetic seal **NA** Atm.cm3/s
 Panel leakage **0.35** Mpa

OTHERS CHARACTERISTICS

Assembly instruction **NA**

Others :
 * Coaxial Transmission Line Only

MECHANICAL CHARACTERISTICS

Center contact retention
 Axial force – Mating end **18** N mini
 Axial force – Opposite end **18** N mini
 Torque **2.8** N.cm mini

Recommended torque
 Mating **NA** N.cm
 Panel nut **250** N.cm

Mating life **500** Cycles mini
 Weight **10,8030** g

Issue : 1104 G

In the effort to improve our products, we reserve the right to make changes judged to be necessary.

