

T4145015051-001 ✓ ACTIVE



M12 Connector

TE Internal #: T4145015051-001

Standard Circular Connectors, Wire-to-Board, 5 Position, Sealable, Panel Mount, Nickel, Brass, A Polarization Code, Polyamide GF, M12 Connector

[View on TE.com >](#)

Connectors > Circular Connectors > Standard Circular Connectors > M12 Panel Mount PCB



Connector System: **Wire-to-Board**

Number of Positions: **5**

Sealable: **Yes**

Connector Mounting Type: **Panel Mount**

Reverse Gender: **No**

[All M12 Panel Mount PCB \(111\)](#)

Features

Product Type Features

| | |
|-------------------------|----------------------|
| Product Type | Connector Assembly |
| Accessory Color | Black |
| Prewired | No |
| Assembly Type | Electrical Connector |
| Connector System | Wire-to-Board |
| Sealable | Yes |
| Circular Connector Type | Receptacle |
| Shell Type | Plastic |

Configuration Features

| | |
|----------------------------|---|
| Number of Positions | 5 |
| Number of Power Positions | 0 |
| Number of Signal Positions | 5 |



Body Features

| | |
|---------------------------------------------|--------------|
| Shell Plating Material | Nickel |
| Shell Base Material | Brass |
| Circular Connector Insulation Material Type | Polyamide GF |

Contact Features

| | |
|---------------------------------|--------|
| Reverse Gender | No |
| Circular Connector Contact Type | Socket |

Mechanical Attachment

| | |
|-------------------------|-------------|
| Connector Mounting Type | Panel Mount |
| Polarization Code | A |
| Mating Alignment Type | Keyed |
| Mating Retention | With |

Housing Features

| | |
|-------------------------------|----|
| Circular Connector Shell Size | 12 |
|-------------------------------|----|

Usage Conditions

| | |
|-----------------------------|---------------------------|
| IP Water Sealing Level | 7 |
| IP Dust Sealing Level | 6 |
| Operating Temperature Range | -40 – 85 °C[-40 – 185 °F] |

Operation/Application

| | |
|----------|----|
| Shielded | No |
|----------|----|

Industry Standards

| | |
|------------------------|---------|
| UL Flammability Rating | UL 94HB |
|------------------------|---------|

Product Compliance

[For compliance documentation, visit the product page on TE.com>](#)

| | |
|-----------------------------------------------|-----------------------------------------------------------------------------------------------------------------------------------------------------|
| EU RoHS Directive 2011/65/EU | Compliant with Exemptions |
| EU ELV Directive 2000/53/EC | Compliant with Exemptions |
| China RoHS 2 Directive MIIT Order No 32, 2016 | Restricted Materials Above Threshold |
| EU REACH Regulation (EC) No. 1907/2006 | Current ECHA Candidate List: JUNE 2023 (235) Candidate List Declared Against: JAN 2023 (233) SVHC > Threshold: Pb (3.7% in Component Part) |



Article Safe Usage Statements:

Do not eat, drink or smoke when using this product. Wash thoroughly after handling. Recycle if possible and dispose of the article by following all applicable governmental regulations relevant to your geographic location.

Halogen Content

Not Low Halogen - contains Br or Cl > 900 ppm.

Solder Process Capability

Not applicable for solder process capability

Product Compliance Disclaimer

This information is provided based on reasonable inquiry of our suppliers and represents our current actual knowledge based on the information they provided. This information is subject to change. The part numbers that TE has identified as EU RoHS compliant have a maximum concentration of 0.1% by weight in homogenous materials for lead, hexavalent chromium, mercury, PBB, PBDE, DBP, BBP, DEHP, DIBP, and 0.01% for cadmium, or qualify for an exemption to these limits as defined in the Annexes of Directive 2011/65/EU (RoHS2). Finished electrical and electronic equipment products will be CE marked as required by Directive 2011/65/EU. Components may not be CE marked. Additionally, the part numbers that TE has identified as EU ELV compliant have a maximum concentration of 0.1% by weight in homogenous materials for lead, hexavalent chromium, and mercury, and 0.01% for cadmium, or qualify for an exemption to these limits as defined in the Annexes of Directive 2000/53/EC (ELV). Regarding the REACH Regulation, the information TE provides on SVHC in articles for this part number is based on the latest European Chemicals Agency (ECHA) 'Guidance on requirements for substances in articles' posted at this URL: <https://echa.europa.eu/guidance-documents/guidance-on-reach>

Compatible Parts




TE Part # T4111002051-000
M12,MALE,STRAIGHT,A CODE,5P,PG9,GOLD

Also in the Series | M12 Connector



M8/M12 Cable Assemblies(230)



Standard Circular Connectors(521)

Customers Also Bought



TE Part #2-2176231-7
3522 120R 1% 3W



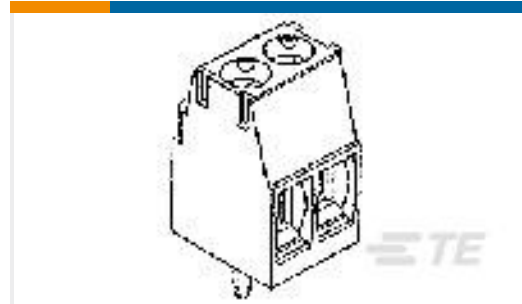
TE Part #1-1734261-2
1.25 WTB, HDR, SMT, RA, 12P



TE Part #3-1437664-0
NC6-P108-02=NC6 ASSEMBLY



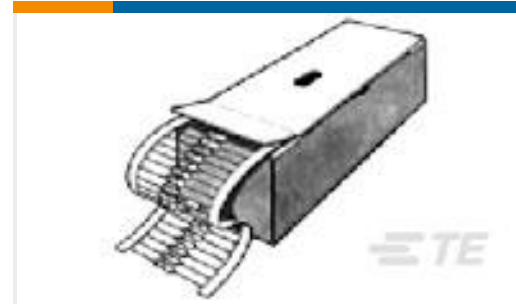
TE Part #284391-2
TERMI-BLOK PCB SIDE ENTRY STAC



TE Part #284391-3
TERMI-BLOK PCB SIDE ENTRY STAC



TE Part #4-2176230-7
3522 5k6 5% 3W



TE Part #2176079-5
EP 3W 47R 5%



TE Part #T4140412051-000
M12, REAR MOUNTING, MALE, B
CODE, 5P



TE Part #6-338314-2
15POS. HD20 REC. ASSY



TE Part #T4145035081-002
M12 RA PCB CONN. Female 8 P
SHIELD

Documents

Product Drawings

[M12 R/A F PNLREAR STAMPED PIN A-CODE 5P](#)

English

CAD Files

[3D PDF](#)

3D

Customer View Model

[ENG_CVM_CVM_T4145015051-001_A.2d_dxf.zip](#)

English

Customer View Model

[ENG_CVM_CVM_T4145015051-001_A.3d_igs.zip](#)

English

Customer View Model

[ENG_CVM_CVM_T4145015051-001_A.3d_stp.zip](#)

English

By downloading the CAD file I accept and agree to the [Terms and Conditions](#) of use.

Datasheets & Catalog Pages



[M8 / M12 Connector System Catalog](#)

English

[M8 / M12 Connector System Catalog](#)

Japanese

[Product Specifications](#)

[Application Specification](#)

English

[Product Environmental Compliance](#)

[Product Compliance](#)

English

[Product Compliance](#)

English

[Instruction Sheets](#)

[Instruction Sheet \(U.S.\)](#)

English

[Agency Approvals](#)

[UL](#)

English