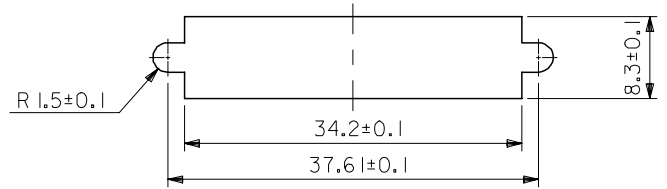


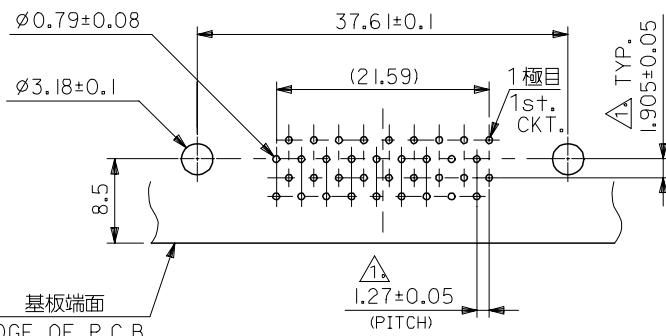
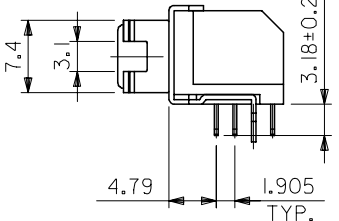
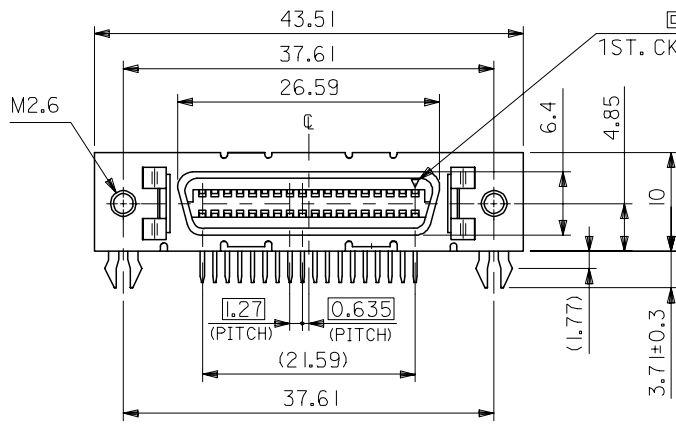
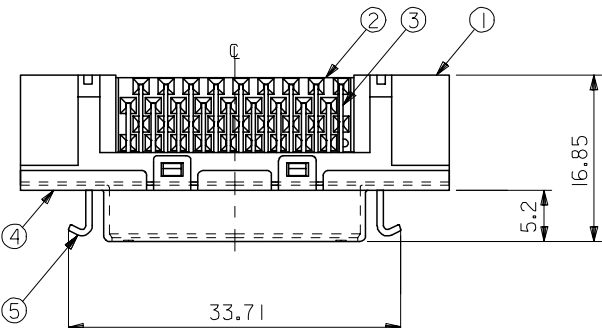
No.	部品名 PART NAME	材質 MATERIAL	仕上げ FINISH
1	リセプタクル ハウジング RECEPTACLE HOUSING	ガラス入りPBT、黒色、UL94V-0 G.F. PBT, BLACK, UL94V-0	—
2	ガイドプレート GUIDE PLATE	ガラス入りPBT、黒色、UL94V-0 G.F. PBT, BLACK, UL94V-0	—
3	リセプタクル ターミナル RECEPTACLE TERMINAL	りん青銅 PHOSPHOR BRONZE	△3
4	シールドカバー SHIELD COVER	鋼材 STEEL	—
5	ラッチレシーバー LATCH RECEIVER	鋼材 STEEL	—

注記  
NOTES.

- △1 公差非累積  
NON CUMULATIVE TOLERANCE
2. 推奨基板厚 :  $t=1.57\pm 0.18$   
RECOMMENDED P.C.B. THICKNESS :  $t=1.57\pm 0.18$
- △3 ターミナル メッキ仕様  
TERMINAL PLATING
- 金メッキ :  $0.76\ \mu\text{m}$  MIN. (接点部)  
GOLD :  $0.76\ \mu\text{m}$  MIN. (CONTACT AREA)
- 錫メッキ :  $1.0\ \mu\text{m}$  MIN. (半田付け部)  
TIN :  $1.0\ \mu\text{m}$  MIN. (SOLDER AREA)
- ニッケルメッキ :  $2.0\ \mu\text{m}$  MIN. (下地メッキ)  
NICKEL :  $2.0\ \mu\text{m}$  MIN. (UNDER PLATING)
4. 本製品は 52515-3611 の鉛フリー品である。  
THIS PRODUCT IS LEAD FREE OF 52515-3611.



パネル取り付け穴推奨寸法  
RECOMMENDED PANEL OPENING



基板穴推奨寸法 (部品実装側)  
RECOMMENDED P.C.B. LAYOUT (COMPONENT SIDE)

REV	DESCRIPTION	DATE
0	APPR: NUKITA	2005/01/28
	CHKD: KTOJO	2005/01/27
	DRWN: NABEI	2005/01/25
	EC NO: J2005-2046	
	RELEASED	

GENERAL TOLERANCES (UNLESS SPECIFIED)	
10 UNDER	±0.2
10 OVER 30 UNDER	±0.25
30 OVER	±0.3
ANGULAR	±3 °
DRAFT WHERE APPLICABLE MUST REMAIN WITHIN DIMENSIONS	

DIMENSION STYLE MM ONLY	
DRAWN BY	DATE
M. NABEI	'05/01/18
CHECKED BY	DATE
K. TOJO	'05/01/18
APPROVED BY	DATE
N. UKITA	'05/01/18
MATERIAL NO.	SEE CHART
SIZE	△3

SCALE	2:1
DESIGN UNITS	METRIC
THIRD ANGLE PROJECTION	
TITLE	
1.27 I/O REC ASSY	
-LEAD FREE-	
MOLEX INCORPORATED	
DOCUMENT NO.	SD-52515-002
SHEET NO.	1 OF 1
THIS DRAWING CONTAINS INFORMATION THAT IS PROPRIETARY TO MOLEX INCORPORATED AND SHOULD NOT BE USED WITHOUT WRITTEN PERMISSION	