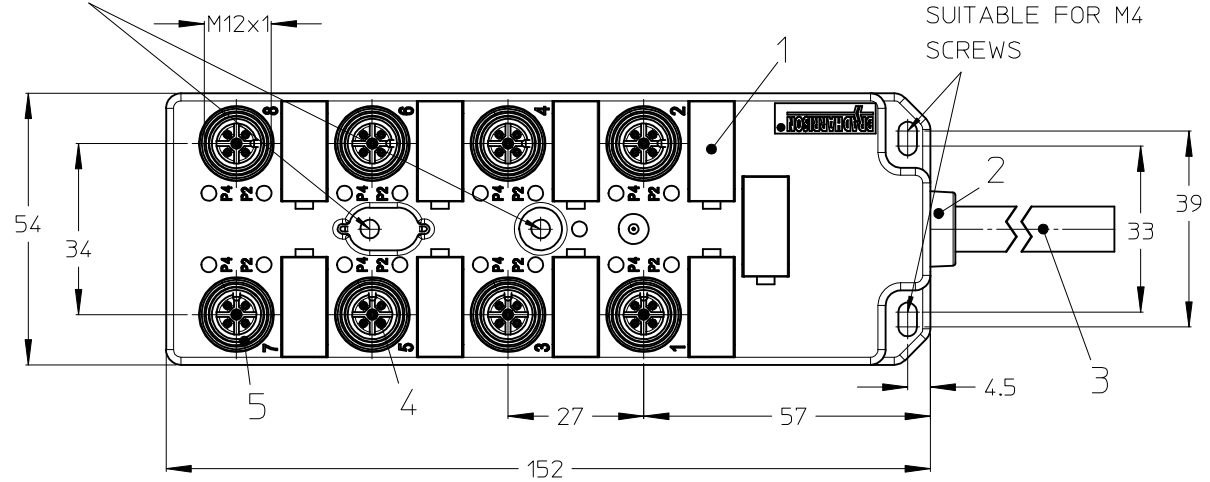


TABLE 1 BILL OF MATERIAL

ITEM	QTY	DESCRIPTION	MATERIAL	FINISH
1	9	LABEL	ABS	WHITE
2	1	CABLE PLATE	PBT	YELLOW
3	1	CABLE	SEE ENG. NO. MATRIX	SEE ENG. NO. MATRIX
4	40	CONTACT	BRASS	GOLD OVER NICKEL
5	8	O-RING	FPM	RED
6	8	SHELL	BRASS	NICKEL PLATED
7	17	LED	NON LED = PBT/ WITH LED = PA	NON LED=YELLOW/ WITH LED=TRANSPARENT
8	2	PROTECTING CAP	PP	BLACK
9	1	HOUSING	PBT	YELLOW

2X FIXING HOLES
SUITABLE FOR M4 SCREWS

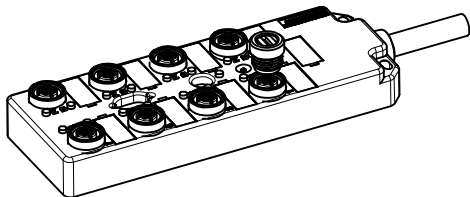
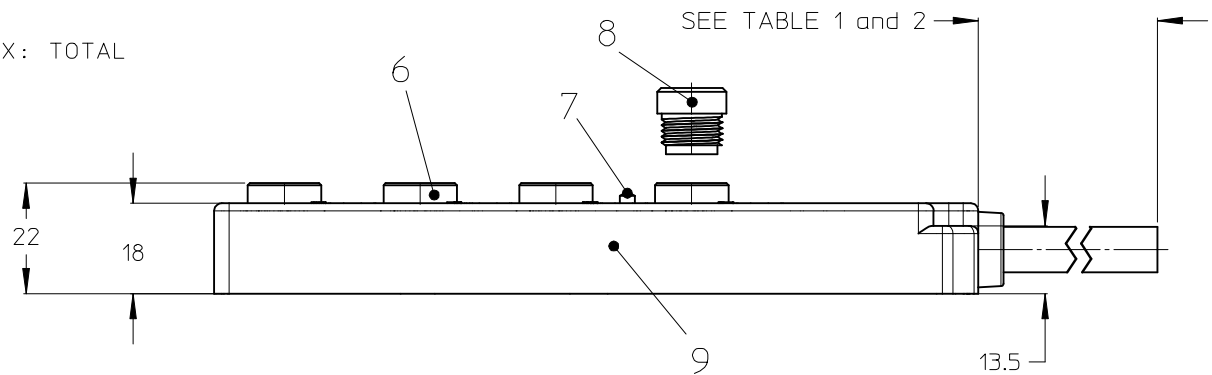
2X FIXING SLOT HOLES
SUITABLE FOR M4
SCREWS



GENERAL CHARACTERISTICS:

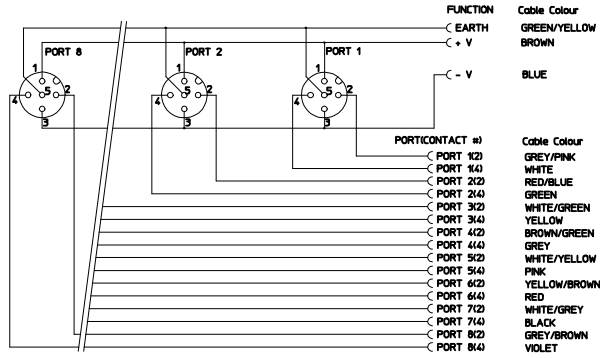
ELECTRICAL AND MECHANICAL DATA ACC. TO IEC 61076-2-101

- NOMINAL VOLTAGE: 24 V DC
- RATED CURRENT: 4 A PER PORT / 12 A MAX: TOTAL
- CONTACT RESISTANCE: ≤ 5 mOHM
- INSULATION RESISTANCE: > 10⁹ OHM
- IP DEGREE OF PROTECTION: IP 67
- TEMPERATURE RANGE: -25°C to + 85°C

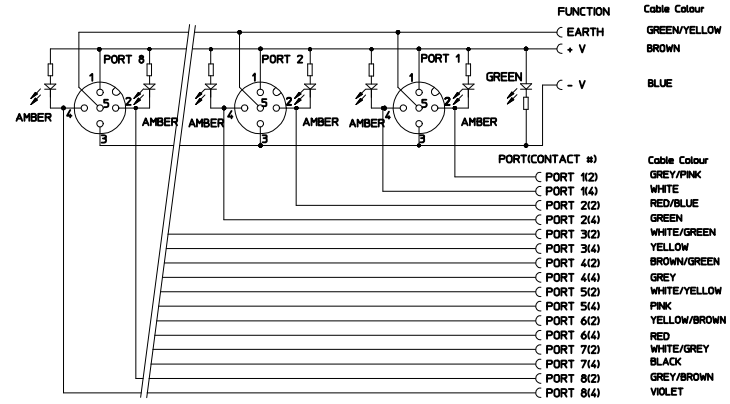


ENTER DESCRIPTION EC NO: IPG2014-0267 DRW:ULETTEMEIER2013/09/24 CHK:RSILLER 2013/09/25 APPR:CBURGER 2013/10/07	QUALITY SYMBOLS ▽=0 ▽=0	GENERAL TOLERANCES (UNLESS SPECIFIED) mm INCH 4 PLACES ± --- ± --- 3 PLACES ± --- ± --- 2 PLACES ± 0.05 ± --- 1 PLACE ± 0.10 ± --- 0 PLACE ± --- ± --- ANGULAR ± .5 °	DIMENSION STYLE MM ONLY DRAWN BY DATE ULETTEMEIER 2013/07/04 CHECKED BY DATE RSILLER 2013/07/10 APPROVED BY DATE CBURGER 2013/07/17	SCALE 1:1 DESIGN UNITS METRIC THIRD ANGLE PROJECTION	TITLE MPIS M12 PNP NPN NOS 5P 8PT AC FE STR XM
	DRAFT WHERE APPLICABLE MUST REMAIN WITHIN DIMENSIONS	MATERIAL NO. SEE TABLE 2	DOCUMENT NO. SD-120114-003	SHEET NO. 1 OF 3	
	THIS DRAWING CONTAINS INFORMATION THAT IS PROPRIETARY TO MOLEX INCORPORATED AND SHOULD NOT BE USED WITHOUT WRITTEN PERMISSION				

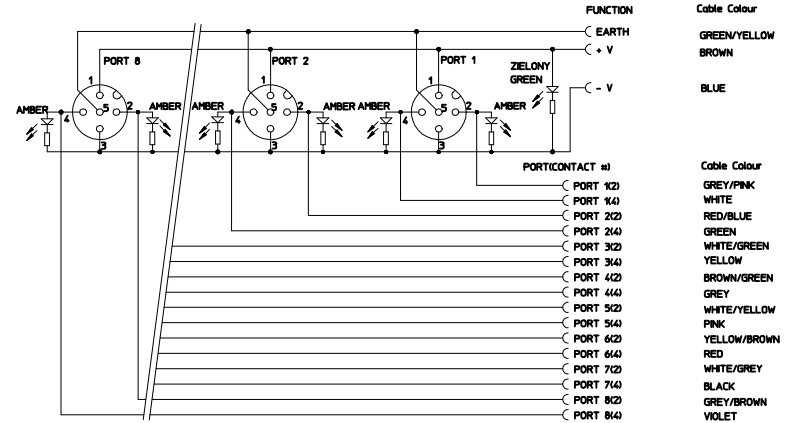
WIRING DIAGRAM NON LED



WIRING DIAGRAM NPN



WIRING DIAGRAM PNP



ENTER DESCRIPTION EC NO: IPGZ014-0267 DRW:ULETTEMEIER 2013/09/24 CHKD:RSILLER 2013/09/25 APPR:CBURGER 2013/10/07	QUALITY SYMBOLS ▽=0 □=0	GENERAL TOLERANCES (UNLESS SPECIFIED)		DIMENSION STYLE MM ONLY		SCALE 1:1	DESIGN UNITS METRIC	THIRD ANGLE PROJECTION		
			mm	INCH	DRAWN BY	DATE	TITLE			
		4 PLACES	± ---	± ---	ULETTEMEIER	2013/07/04	MPIS M12 PNP NPN NOS 5P 8PT AC FE STR XM			
		3 PLACES	± ---	± ---	CHECKED BY	DATE				
2 PLACES	± 0.05	± ---	RSILLER	2013/07/10	molex DOCUMENT NO. SD-120114-003					
1 PLACE	± 0.10	± ---	APPROVED BY	DATE						
0 PLACE	± ---	± ---	CBURGER	2013/07/17	SHEET NO. 2 OF 3					
ANGULAR ± .5 °		MATERIAL NO.		SEE TABLE 2					THIS DRAWING CONTAINS INFORMATION THAT IS PROPRIETARY TO MOLEX INCORPORATED AND SHOULD NOT BE USED WITHOUT WRITTEN PERMISSION	
DRAFT WHERE APPLICABLE MUST REMAIN WITHIN DIMENSIONS										

TABLE 2

MOLEX P/N	ENG. NR.	LED
1201140092	BTY8050-FBP-05	NO
1201140093	BTY8050-FBP-10	NO
1200550592	BTY8050-FBP-15	NO
1201140202	BTY805N-FBP-05	YES
1200550691	BTY805N-FBP-10	YES
1201140089	BTY805P-FBP-05	YES
1200550832	BTY805P-FBP-05-1	YES
1201140090	BTY805P-FBP-10	YES
1200550864	BTY805P-FBP-10-1	YES
1201140091	BTY805P-FBP-15	YES
1201148030	BTY805P-FBP-15-1	YES
1200550401	BTY805P-FBP-20	YES
1201148037	BTY805P-FBP-20-1	YES
1200550633	BTY805P-FBP-30	YES

ENG. NO. MATRIX:

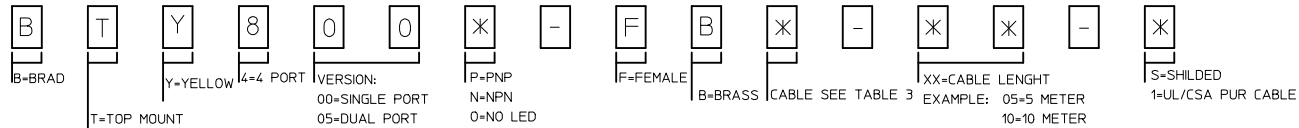


TABLE 3

CABLE	TEM. RANGE STATISCH	TEM. RANGE FLEXIBLE	CABLE DIAMETER (MM) SIGLE (4POLE) 4/6/8 PORT	CABLE DIAMETER (MM) DUAL (5POLE) 4/6/8 PORT	DRAG CHAIN	UL STYLE
P=PUR/PVC/Black	-30°C TO +90°C	-5°C TO +90°C	8.4 ±0.2 / 9.5±0.2 / 9.5 ±0.2	9.5 ±0.2 / 9.8 ±0.2 / 11.4 ±0.2	1.5 MIO. CYCLES	-
P=PUR/PVC/Black/UL/CSA	-25°C TO +90°C	-	7.5 ± 0.2	8.6 ± 0.2	-	-
N=PVC/GREY	-	-10°C TO +80°C	8.4 ± 0.2	9.5 ± 0.2	10 MIO. CYCLES	2464
I=CEI/GREY	-5°C TO +70°C	-	8.4 ± 0.2	9.5 ± 0.2	-	-
E=PVC/YELLOW	-5°C TO +70°C	-	8.4 ± 0.2	9.5 ± 0.2	-	-

ENTER DESCRIPTION EC NO: IPG2014-0267 DRWN: JULETTE/NER 2013/09/24 CHKD: RSILLER 2013/09/25 APPR: CBURGER 2013/10/07 REV B1	QUALITY SYMBOLS ▽=0 ▽=0	GENERAL TOLERANCES (UNLESS SPECIFIED) mm INCH 4 PLACES ± --- ± --- 3 PLACES ± --- ± --- 2 PLACES ± 0.05 ± --- 1 PLACE ± 0.10 ± --- 0 PLACE ± --- ± --- ANGULAR ± .5 ° DRAFT WHERE APPLICABLE MUST REMAIN WITHIN DIMENSIONS	DIMENSION STYLE MM ONLY DRAWN BY DATE ULETTENMEIER 2013/07/04 CHECKED BY DATE RSILLER 2013/07/10 APPROVED BY DATE CBURGER 2013/07/17	SCALE 1:1 DESIGN UNITS METRIC FIRST ANGLE PROJECTION	TITLE MPIS M12 PNP NPN NOS 5P 8PT AC FE STR XM	MATERIAL NO. SEE TABLE 2	DOCUMENT NO. SD-120114-003	SHEET NO. 3 OF 3
	THIS DRAWING CONTAINS INFORMATION THAT IS PROPRIETARY TO MOLEX INCORPORATED AND SHOULD NOT BE USED WITHOUT WRITTEN PERMISSION							
	molar							
	SEE TABLE 2							