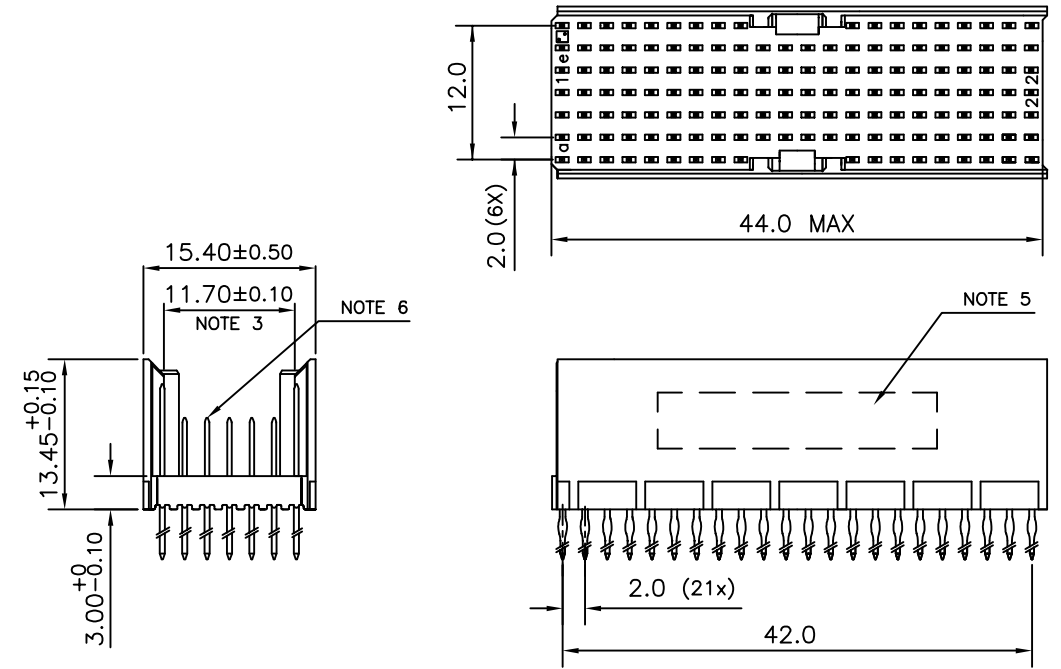


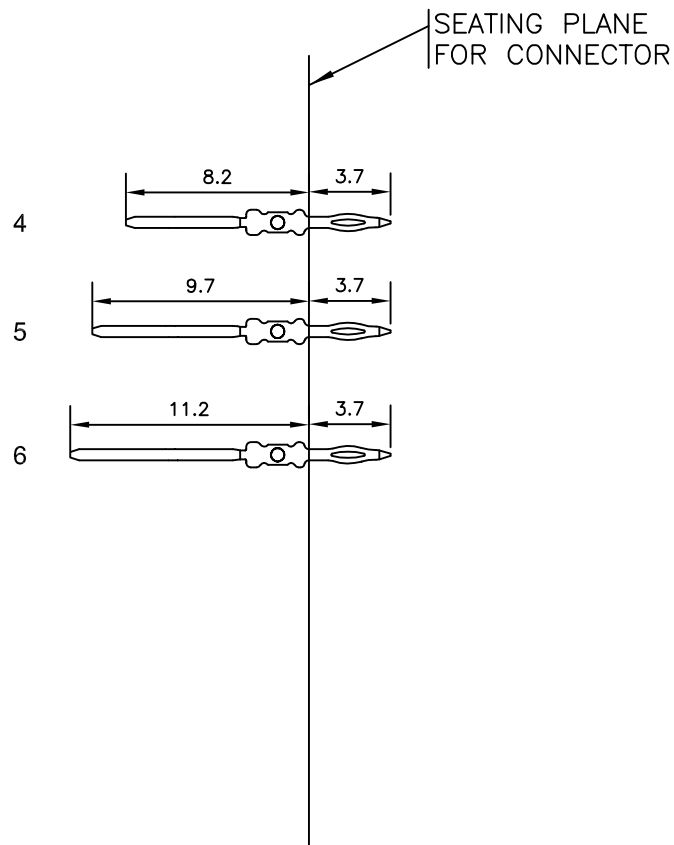
LOADING PATTERN MATING SIDE

f	6	6	6	6	6	6	6	6	6			6	6	6	6	6	6	6	6	6	6
e	5	5	5	5	6	6	6	5	5	5	5	5	5	5	5	5	5	5	5	5	5
d	5	6	5	5	5	5	5	5	5	5	5	5	5	5	5	5	5	5	5	5	5
c	5	5	4	5	5	5	5	5	5	5	5	5	5	5	5	5	5	5	5	5	5
b	5	5	5	5	5	5	5	5	5	5	5	5	5	5	5	5	5	5	5	5	5
a	5	5	5	5	6	6	6	5	5	5	5	5	5	5	5	5	5	5	5	5	5
z	6	6	6	6	6	6	6	6			6	6	6	6	6	6	6	6	6	6	6
POS	0	1																			
	1	5	0																		

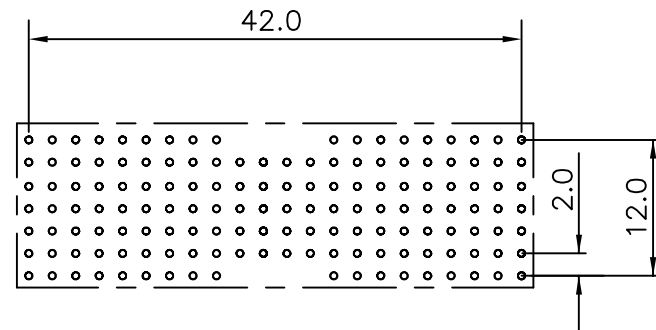
LOADED CONNECTOR ASSEMBLY (FOR EXAMPLE)



CONTACT OVERVIEW



LAY-OUT P.C.B.-HOLE



HM2P66PDS3K1 **LEAD FREE INDICATOR : LF = LEAD FREE (DIGIT 15 & 16)**  
**PLATING CODE (DIGIT 13 AND 14)**  
 (REF DRW NO. BS,C , 201844 , 003)

NOTES

- THIS PRODUCT IS CSA APPROVED.
- THIS PRODUCT IS UL RECOGNIZED.
- MEASURED AT THE BOTTOM.
- FOR GENERAL DETAILS PLEASE REFER DRAWING: BS, C ,203028, 000
- CONNECTOR PRINTED WITH P/N AND DATE CODE.
- FOR ACTUAL CONTACT LOADINGS, SEE LOADING PATTERN MATING SIDE.
- THIS PRODUCT MEETS EUROPEAN UNION DIRECTIVES AND OTHER COUNTRY REGULATIONS AS DESCRIBED IN GS-47-0004
- FOR RECOMMENDED PTH DIMENSIONS REFER DRAWING : BS, A , 201572 , 001

CATALOG NO: HM2P66PDS3K1----

mat'l. code		surface		tolerance		projection		product family		
SEE NOTE 4		ISO 1302 ✓		ISO 406 ISO 1101				MILLIPACS		
ltr	ecn no	dr	date	tolerances unless otherwise specified				title		
A	-	BIN	2019-01-17	angles	linear	.0±0.2		MPACS 5+2R STR HDR PF CONN TYPE AB		
				0°±1°		.00±0.1		(22 POS.)		
				dr	MINI K VANDANATH	2019-01-17		dwg no		sheet 1 of 1
				enr	BINESH	2019-01-17		BSC ,203029,076		size 5
				chr	ALEX	2019-01-17		type Product Customer Drawing		A3
				appd	BIJU K PAUL	2019-01-17				
sheet index	revision	A								
1	sheet	1								

B  
 C  
 D  
 © 2016 APCI  
 Amphenol FCI