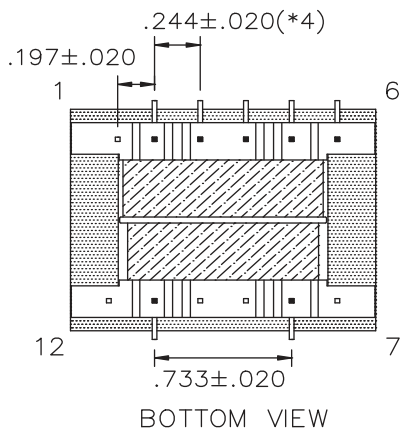
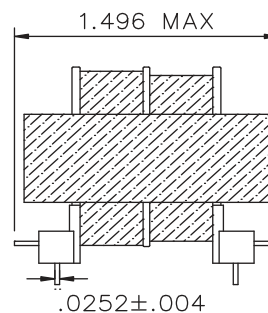
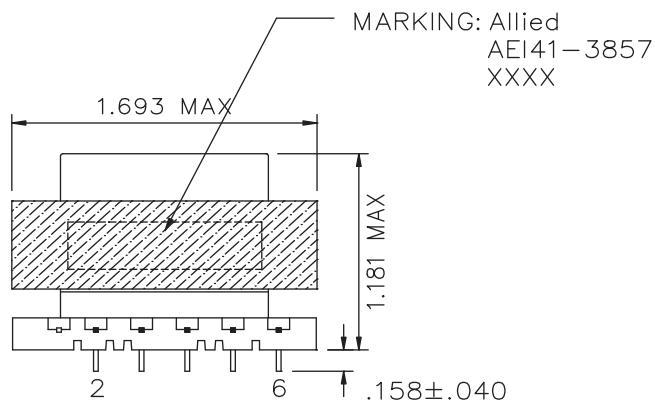




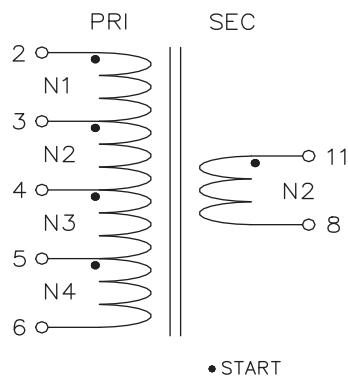
- EI41 Through Hole Design
- Primary Taps: 110V, 208V, 277V, 347V
- 60Hz Operation
- 130° Rated

MECHANICAL

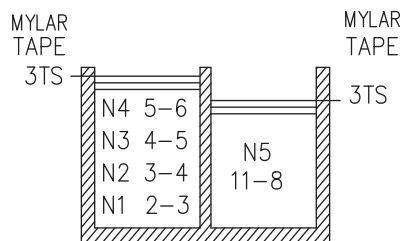
DIMENSION:UNIT: inch



SCHEMATIC:



WINDING:



NOTE:  
1.PIN 1,7,9,10,12 CUT OFF.  
2.CORE FIX TAPE 2TS.



### ELECTRICAL SPECIFICATIONS

1. PRIMARY RATED VOLTAGE :

2-3 : AC 110V

2-4 : AC 208V

2-5 : AC 277V

2-6 : AC 347V

2. RATED LINE FREQUENCY : 60 Hz

3. SECONDARY RATED VOLTAGE AND REGULATION :

	NO LOAD VOLTAGE	LOAD VOLTAGE
11--8		AC 24.0 V $\pm$ 5% (AT 91mA)

4. EXCITING CURRENT :

INPUT PRIMARY : 2-3 : AC 110V 60Hz, 45 mA MAXIMUM.

5. HI - POT TEST :

PRI TO SEC : AC 2500V 3mA FOR 1 MINUTE.

PRI TO CORE : AC 1000V 3mA FOR 1 MINUTE.

SEC TO CORE : AC 1000V 3mA FOR 1 MINUTE.

6. INSULATION TEST :

PRI TO SEC & COIL TO CORE : 100 MOHM MIN / DC 500V