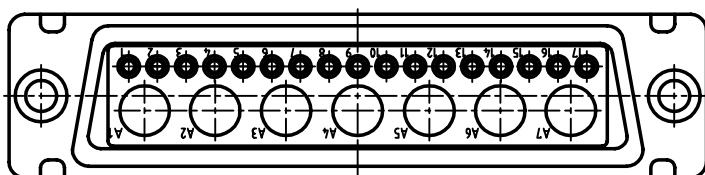
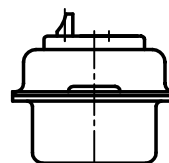
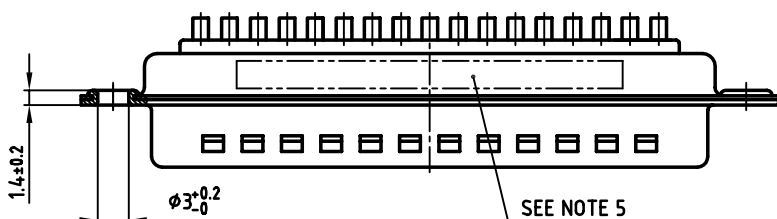
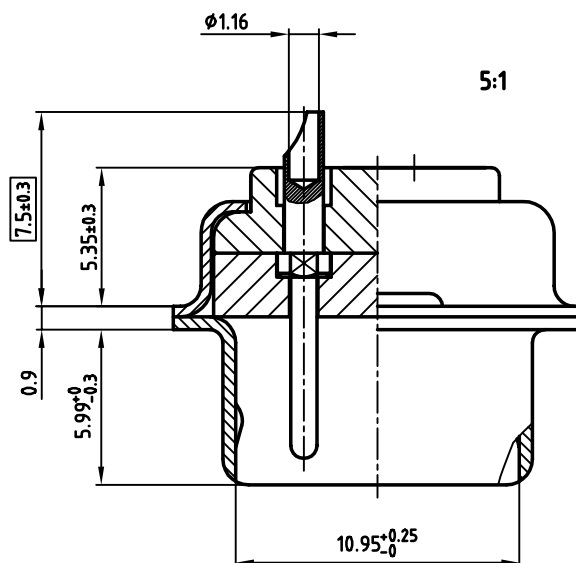
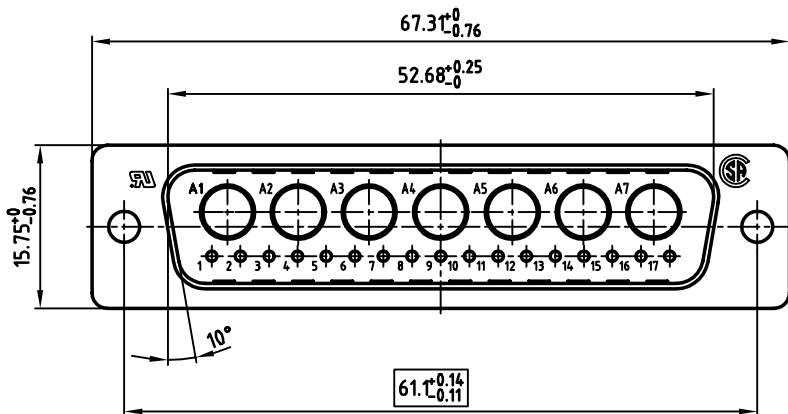


used for: D-SUB COMBINATION



NOTES:

1. METALSHELLS: STEEL; min. 320μ " TIN
2. INSULATORS: PBT GF UL 94 V-0, GREEN
3. SIGNAL CONTACTS: COPPER ALLOY
4. PLATING: min. 30μ " HARD GOLD OVER min. 50μ " NICKEL
5. CONNECTOR IS PART MARKED: PART NO: CONEC Y/W
6. = CRITICAL DIMENSION: SPC

Directive 2002/95/EC
RoHS
Compliant

THIS DRAWING MAY NOT BE COPIED OR REPRODUCED IN ANY WAY, AND MAY NOT BE PASSED ON TO A THIRD PARTY, WITHOUT WRITTEN PERMISSION. OWNERSHIP AND COPYRIGHT OF CONEC GmbH DO NOT ALTER CAD DRAWING BY HAND

rev.	description	date	name

tolerance		
2001	date	
drawn	28.05.	name
appd.	28.05.	Mickenbecker
norm		
d-old		
CONEC [®]		

scale: 2:1 (5:1)	
material: SEE NOTES	
title: D-SUB COMBINATION MALE 24W7P SOLDER CUP	
dwg no: AutoCAD 2000	DIN-A
13K1A262A	
part no: 3024W7PCM99A10X	
3	sh: 1/1