

TPCM 191209T



Sample image

Order symbol: TPCM 191209T

Product nbr: 5824029

Description: Enclosure. PC

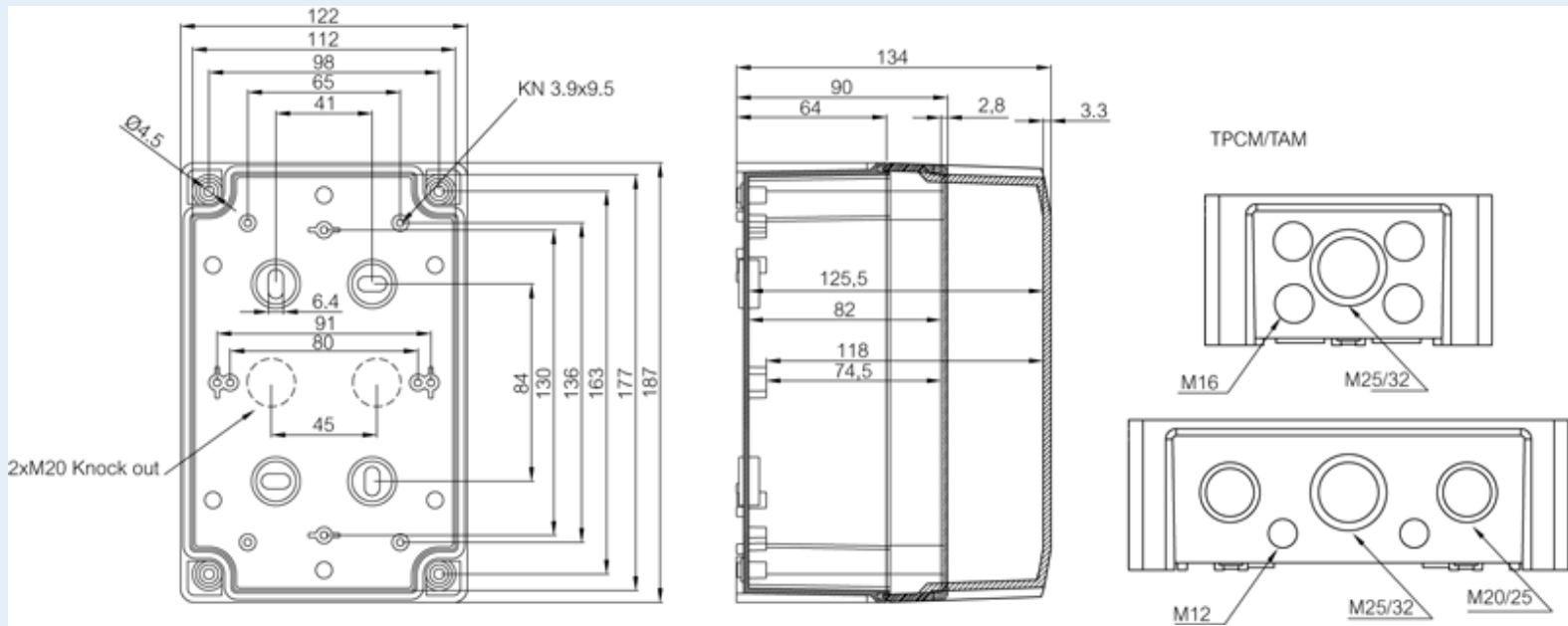
Remarks: Clear transparent cover

EAN: 6418074087133

Including:

El. number:

- Finland:
- Denmark:
- Sweden:



Dimensions: **Height** **Width** **Depth**

| | | | |
|-------|------|-----|------|
| mm: | 187 | 122 | 90 |
| inch: | 7.36 | 4.8 | 3.54 |

Materials:

Material: Polycarbonate
 Base colour:
 Cover colour:
 Gasket material:

Temperatures:

Accessories:

| | |
|----------|--|
| MIV 10 | DIN-35 Mounting rail. for enclosures: (100 x 35 x 1) |
| MP 1912 | Mounting plate. for enclosures: (140 x 100 x 0) |
| DH-3 | DIN-35 Mounting rail. for enclosures: (140 x 35 x 1) |
| FP 10674 | Mounting foot kit (2 pcs) incl. screws |

Rating:

| | |
|--------------------------------|-------------------|
| Ingress protection (EN 60529): | IP65; |
| Impact Resistance (EN 62262): | IK07; IK08; |
| Electrical insulation: | Totally insulated |

| | |
|-------------------------------|-------------|
| Temperature °C (short term):: | -40 ... 120 |
| Temperature °C (continuous): | |
| Temperature °F (short term): | -40 ... 250 |
| Temperature °F (continuous): | -40 ... 175 |

| | |
|--|------------|
| Halogen free (DIN/VDE 0472, Part 815): | 1 |
| UV resistance: | - |
| Flammability Rating: | UL 746C 5" |
| Glow Wire Test (IEC 695-2-1) °C: | 960 °C |
| NEMA Class | |

Certificates:

Certificate FI 40343