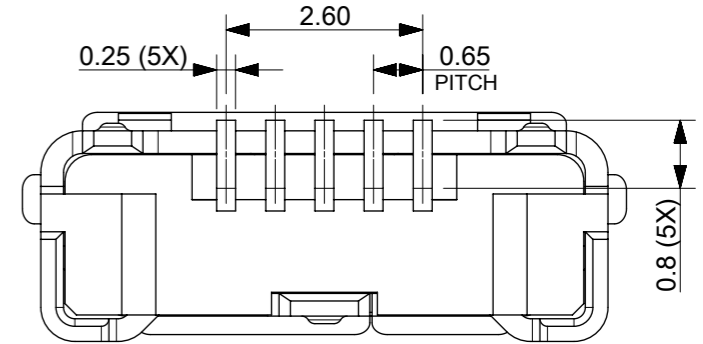
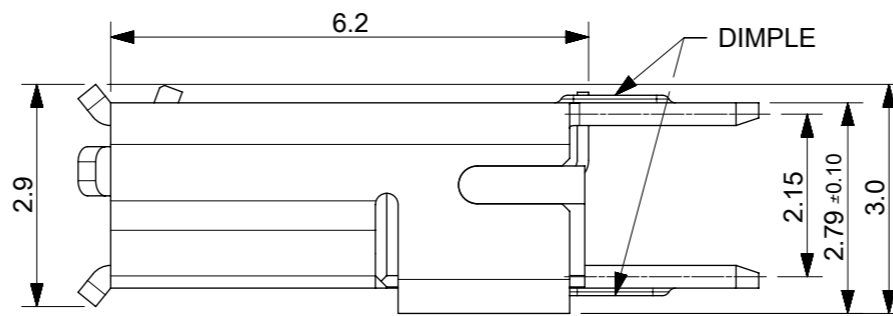
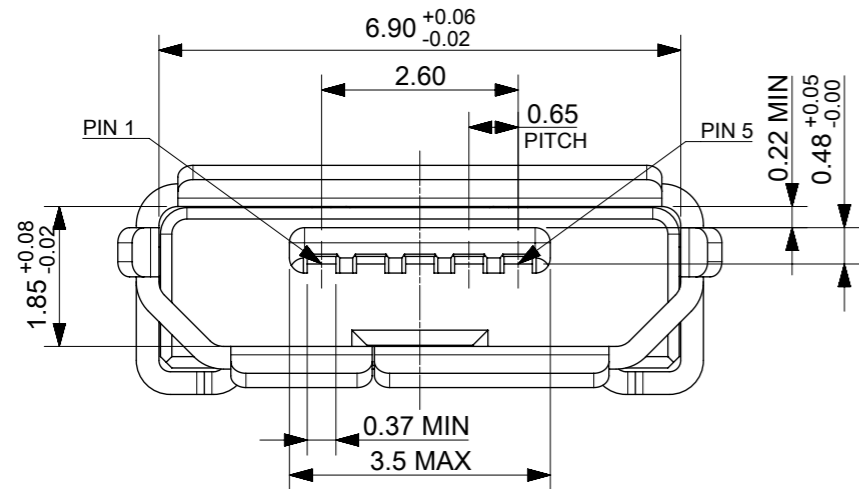


RECOMMENDED PCB LAYOUT (THICKNESS: 1.6mm)
GENERAL TOLERANCE: ±0.05

5	GND
4	ID
3	D+
2	D-
1	VBUS
PIN	NAME
PIN ASSIGNMENT	

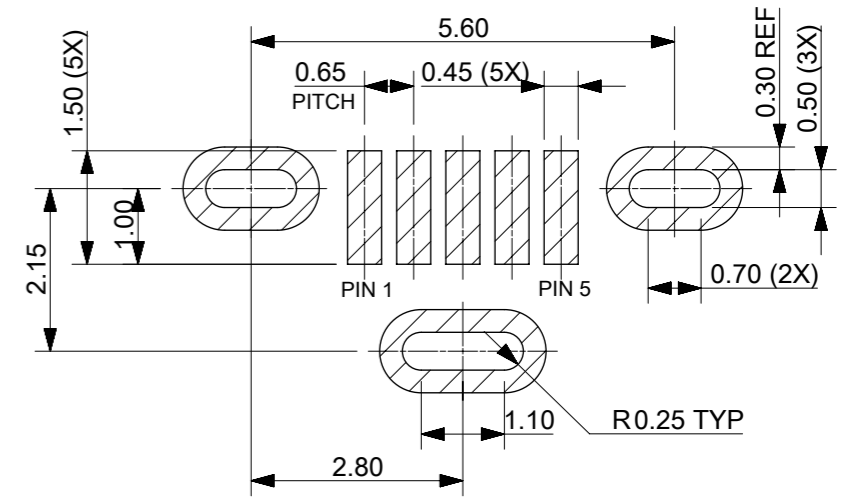
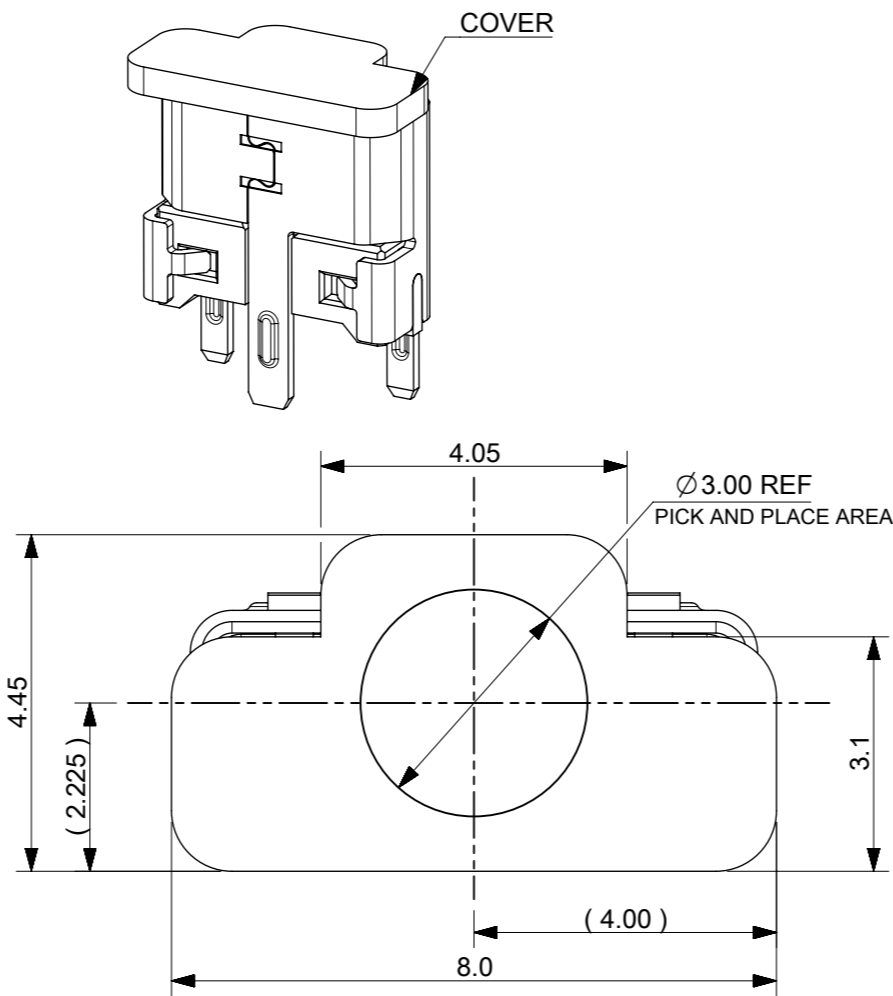
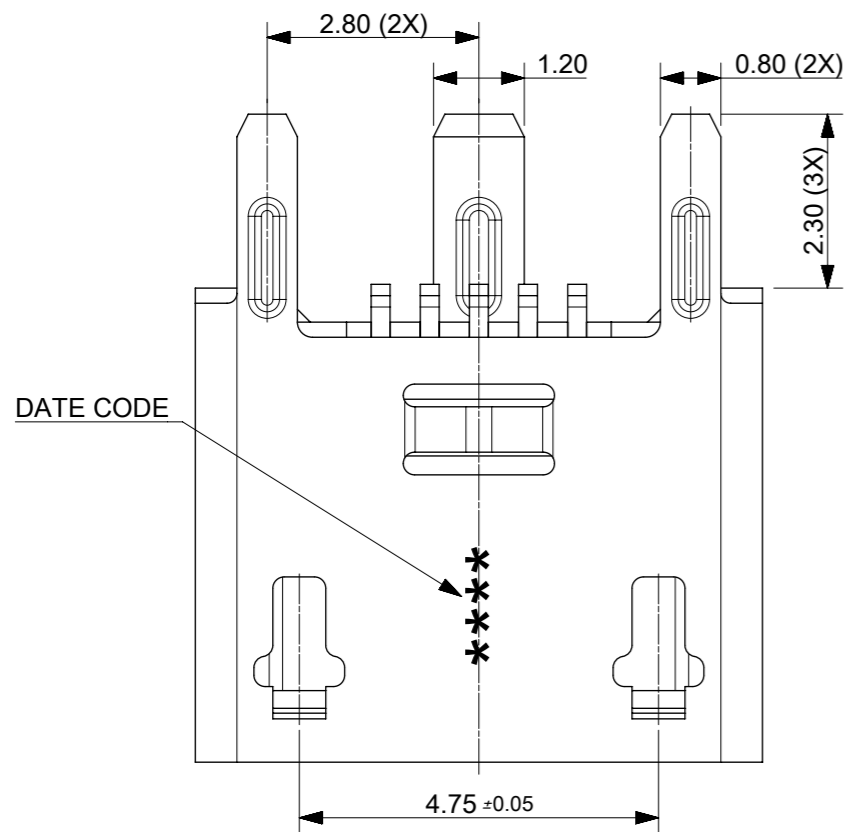


105133-0002	1.70
105133-0001	2.30
PART NUMBER	DIM A

NOTES:

- MATERIAL:
HOUSING & COVER: HIGH TEMPERATURE THERMOPLASTIC, BLACK, UL94V-0;
TERMINAL: COPPER ALLOY, THICKNESS: 0.15mm;
SHELL: STAINLESS STEEL, THICKNESS: 0.30mm.
- PLATING:
TERMINAL: CONTACT AREA: GOLD FLASH OVER MINIMUM 0.75 MICRON Pd/Ni;
SOLDER TAIL AREA: GOLD FLASH;
UNDER PLATING: NICKEL 2.0 MICRON MINIMUM.
SHELL: MATTE TIN 1.27 MICRON MINIMUM;
UNDER PLATING: NICKEL 1.27 MICRON MINIMUM.
- TAIL COPLANARITY 0.08mm MAXIMUM.
- PRODUCT SPECIFICATION: PS-105133-001.
- PACKAGE SPECIFICATION: PK-105133-001.
- COMPLIANT TO RoHS DIRECTIVE 2011/65/EU AND ELV 2000/53/EC.

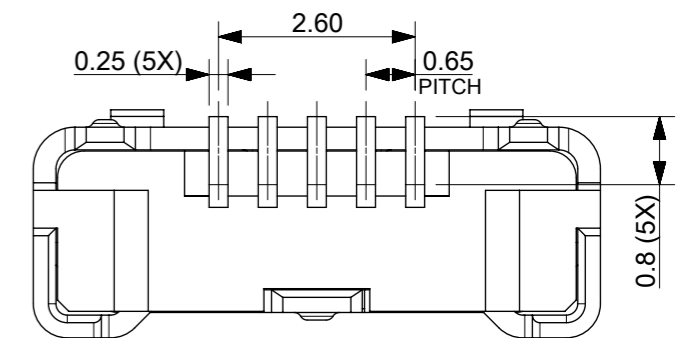
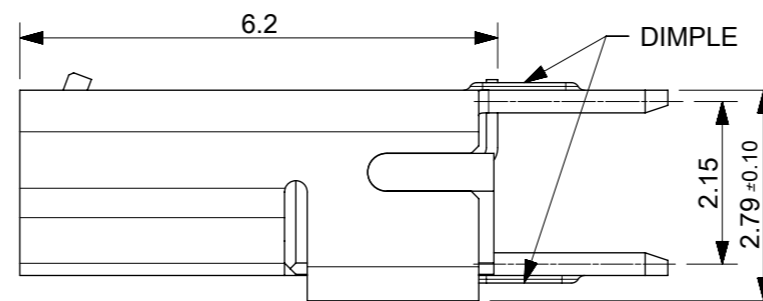
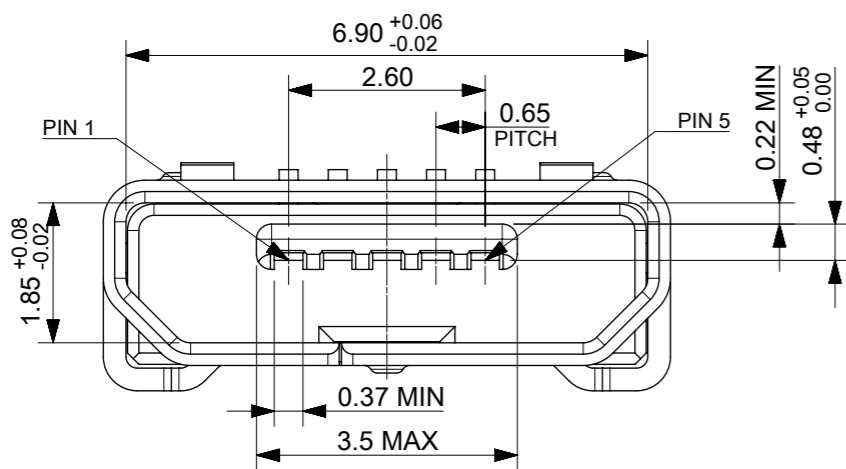
THIS DRAWING CONTAINS INFORMATION THAT IS PROPRIETARY TO MOLEX ELECTRONIC TECHNOLOGIES, LLC AND SHOULD NOT BE USED WITHOUT WRITTEN PERMISSION											
DIMENSION UNITS		SCALE		CURRENT REV DESC: ADD DIMPLE ON SHELL						molex	
mm		NTS									
GENERAL TOLERANCES (UNLESS SPECIFIED)				EC NO: 604725						SALES DRAWING FOR USB, MICRO-B VERTICAL TYPE	
ANGULAR TOL ± 3.0°				DRWN: XQZHANG 2018/09/20						PRODUCT CUSTOMER DRAWING	
4 PLACES ±				CHK'D: AYIN 2019/04/09						DOCUMENT NUMBER	
3 PLACES ±				APPR: AYIN 2019/04/09						SD-105133-001	
2 PLACES ± 0.15				INITIAL REVISION:						DOC TYPE	
1 PLACE ± 0.25				DRWN: XQZHANG 2015/10/30						PSD	
0 PLACES ±				APPR: AYIN 2015/10/30						DOC PART	
DRAFT WHERE APPLICABLE MUST REMAIN WITHIN DIMENSIONS				THIRD ANGLE PROJECTION		DRAWING		SERIES		REVISION	
				A3-SIZE		105133		MATERIAL NUMBER		E	
				SEE TABLE		GENERAL MARKET		CUSTOMER		SHEET NUMBER	
										1 OF 2	



RECOMMENDED PCB LAYOUT (THICKNESS: 1.6mm)
GENERAL TOLERANCE: ±0.05

PIN	NAME
5	GND
4	ID
3	D+
2	D-
1	VBUS

PIN ASSIGNMENT



105133-1001
PART NUMBER

NOTES:

- MATERIAL:
HOUSING & COVER: HIGH TEMPERATURE THERMOPLASTIC, BLACK, UL94V-0;
TERMINAL: COPPER ALLOY, THICKNESS: 0.15mm;
SHELL: STAINLESS STEEL, THICKNESS: 0.30mm.
- PLATING:
TERMINAL: CONTACT AREA: GOLD FLASH OVER MINIMUM 0.75 MICRON Pd/Ni;
SOLDER TAIL AREA: GOLD FLASH;
UNDER PLATING: NICKEL 2.0 MICRON MINIMUM.
SHELL: MATTE TIN 1.27 MICRON MINIMUM;
UNDER PLATING: NICKEL 1.27 MICRON MINIMUM.
- TAIL COPLANARITY 0.08mm MAXIMUM.
- PRODUCT SPECIFICATION: PS-105133-001.
- PACKAGE SPECIFICATION: PK-105133-011.
- COMPLIANT TO RoHS DIRECTIVE 2011/65/EU AND ELV 2000/53/EC.

THIS DRAWING CONTAINS INFORMATION THAT IS PROPRIETARY TO MOLEX ELECTRONIC TECHNOLOGIES, LLC AND SHOULD NOT BE USED WITHOUT WRITTEN PERMISSION		CURRENT REV DESC: ADD DIMPLE ON SHELL		molex	
DIMENSION UNITS	SCALE				
mm	NTS			PRODUCT CUSTOMER DRAWING	
GENERAL TOLERANCES (UNLESS SPECIFIED)		EC NO: 604725		DOCUMENT NUMBER	
ANGULAR TOL	± 3.0°	DRWN: XQZHANG 2018/09/20		SD-105133-001	
4 PLACES	±	CHK'D: AYIN 2019/04/09		DOC TYPE	DOC PART
3 PLACES	±	APPR: AYIN 2019/04/09		PSD	000
2 PLACES	± 0.15	INITIAL REVISION:		REVISION	
1 PLACE	± 0.25	DRWN: XQZHANG 2015/10/30		E	
0 PLACES	±	APPR: AYIN 2015/10/30			
DRAFT WHERE APPLICABLE MUST REMAIN WITHIN DIMENSIONS		THIRD ANGLE PROJECTION	DRAWING	SERIES	MATERIAL NUMBER
			A3-SIZE	105133	SEE TABLE
				CUSTOMER	SHEET NUMBER
				GENERAL MARKET	2 OF 2