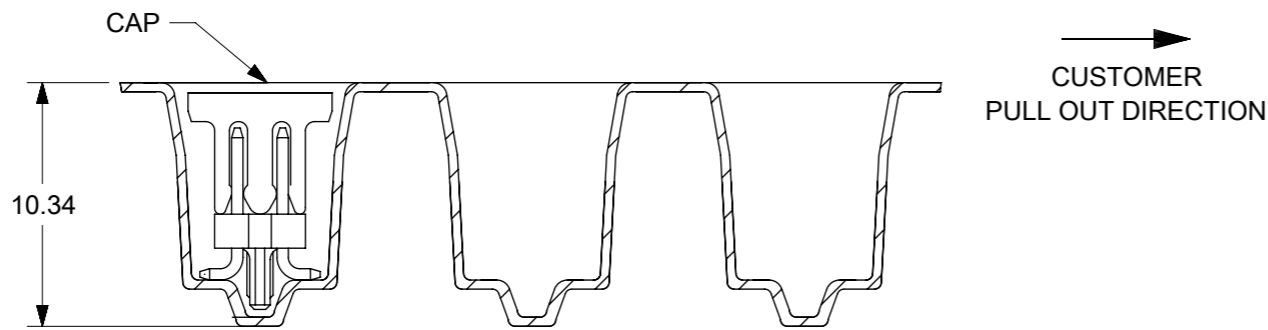
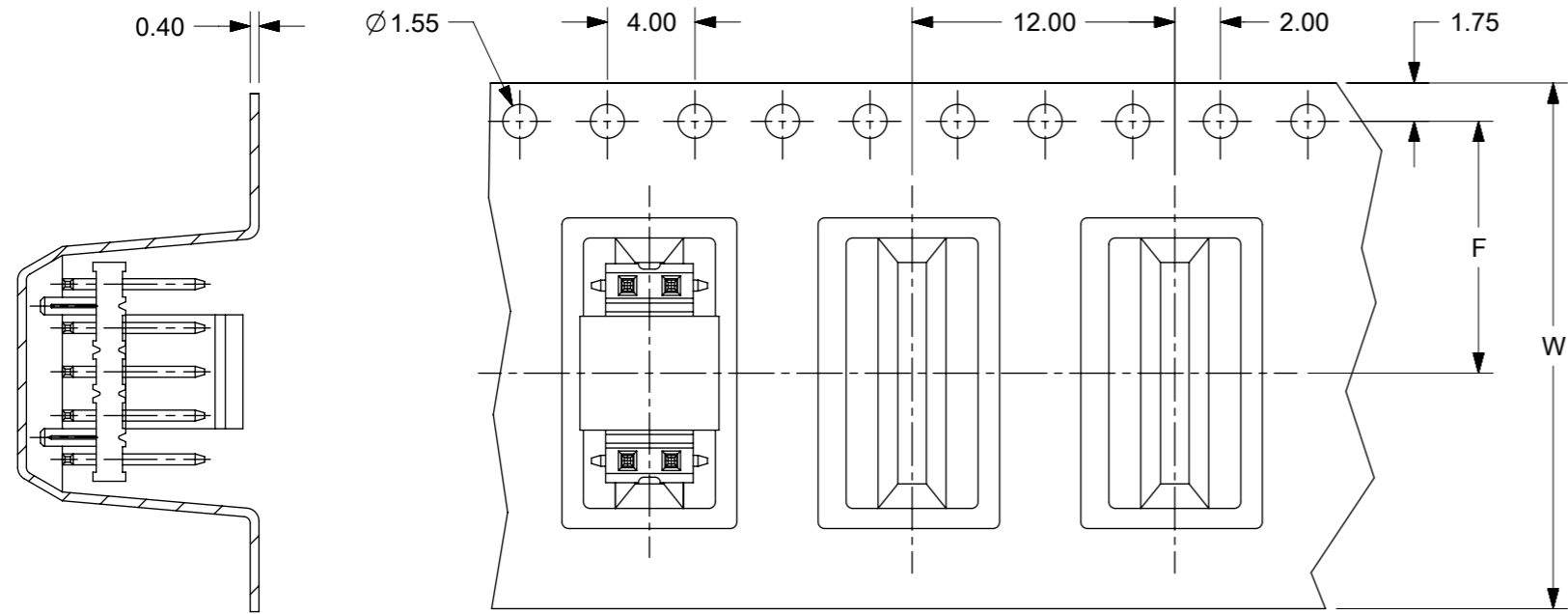


NOTE:

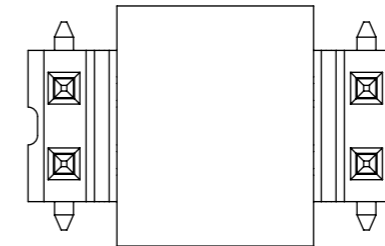
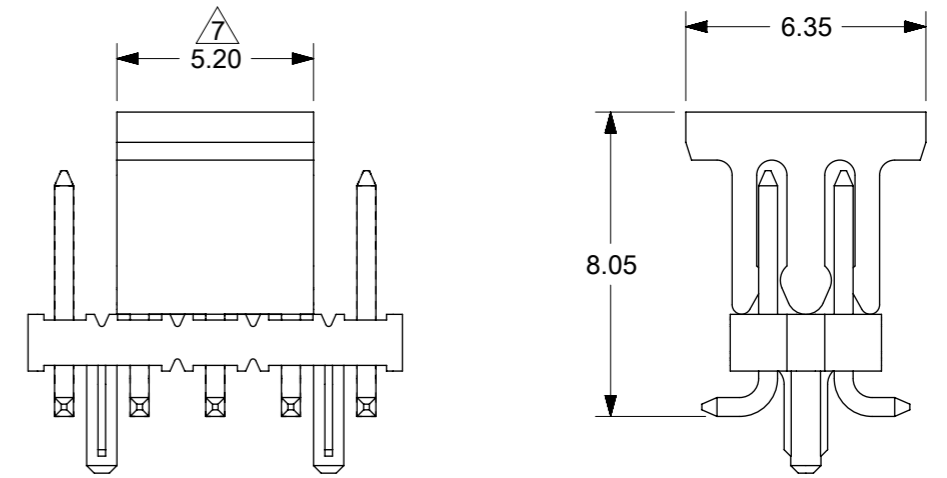
1. MATERIAL:  
HSG & CAP - HIGH TEMPERATURE THERMOPLASTIC,  
UL 94V-0, COLOUR BLACK  
PIN - 0.50 SQ. PHOSPHOR BRONZE
2. PLATING:  
0.76 $\mu$ m MIN. GOLD PLATE AT CONTACT AREA,  
TIN PLATE AT SOLDER AREA,  
BOTH OVER NICKEL UNDERPLATE
3. PIN PUSHOUT FORCE: 1kg MIN. IN EITHER DIRECTION
4. PRODUCT SPEC PS-87761-100 APPLIES.
5. BEND DEPRESSION IS ACCEPTABLE SO LONG AS IT DOES NOT AFFECT THE OVERALL COPLANARITY OF TAIL.
6. COPLANARITY IS TO BE MEASURED BY RESTING THE SOLDER TAIL ON A GAUGE SURFACE.
7. CAP TO BE LOCATED AS CENTRAL OF PART AS POSSIBLE  
TOP SURFACE OF CAP TO BE FLAT FOR THE PURPOSE OF PICK & PLACE BY VACCUM SUCTION NOZZLE.
8. FOR ILLUSTRATION PURPOSES, 10CKT IS SHOWN (WITH TAPE & REEL ON 2ND SHEET). SHT 3 INDICATES THE TYPE OF EMBOSSED USED IN GENERAL.
9. TUBE LENGTH IS 560mm REF. STANDARD.
10. RECOMMENDED PCB BOARD THK IS 1.60 $\pm$ 0.10mm.

THIS DRAWING CONTAINS INFORMATION THAT IS PROPRIETARY TO MOLEX ELECTRONIC TECHNOLOGIES, LLC AND SHOULD NOT BE USED WITHOUT WRITTEN PERMISSION										
DIMENSION UNITS		SCALE		CURRENT REV DESC: DIM UPDATE						
mm		NTS								
GENERAL TOLERANCES (UNLESS SPECIFIED)										
		MM	INCH	EC NO: 612065 DRWN: VNANDAM 2019/02/14 CHK'D: VNANDAM 2019/02/14 APPR: ISHWARG 2019/02/15						
4 PLACES		±	±	SALES DRAWING MGRID 2MM DUAL ROW SMT HDR WITH PEG						
3 PLACES		±	±							
2 PLACES		± 0.2	±	PRODUCT CUSTOMER DRAWING						
1 PLACE		±	±							
0 PLACES		±	±	INITIAL REVISION:		DOCUMENT NUMBER		DOC TYPE	DOC PART	REVISION
ANGULAR TOL		± 3.0°		DRWN: KSEE 2003/12/19		SD-87759-207		PSD	001	B3
DRAFT WHERE APPLICABLE MUST REMAIN WITHIN DIMENSIONS		THIRD ANGLE PROJECTION		DRAWING	SERIES	MATERIAL NUMBER	CUSTOMER	SHEET NUMBER		
				A3-SIZE	87759	SEE TABLE	GENERAL MARKET	1 OF 4		

**PART IN TAPE AND REEL ORIENTATION**

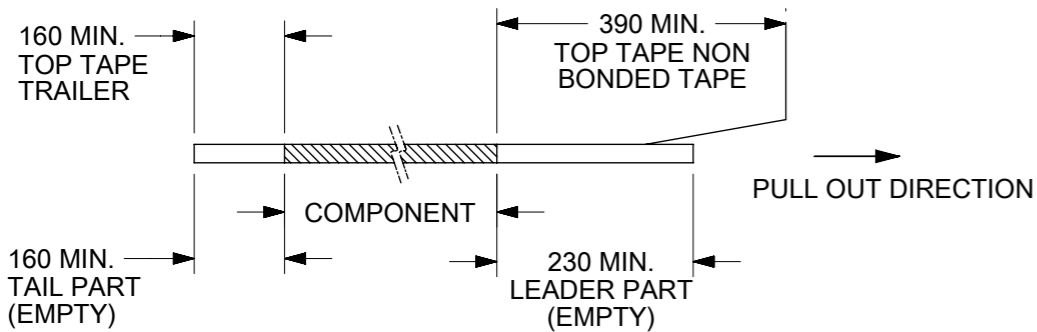


**PART WITH CAP**

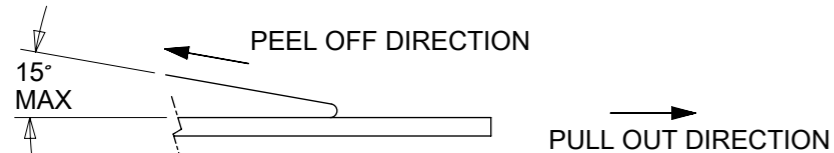


**NOTES:**

**1. LEADER AND TRAILER TAPE**



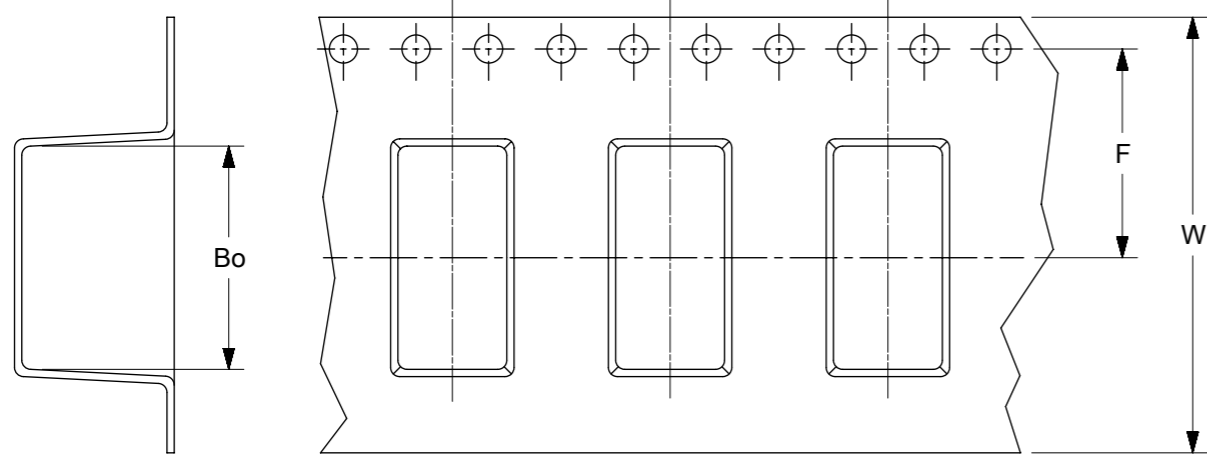
**2. PEELING OFF FORCE OF THE TOP TAPE: 20 - 80gf.  
(PEELING DIRECTION AS SHOWN IN FOLLOWING FIGURE)**



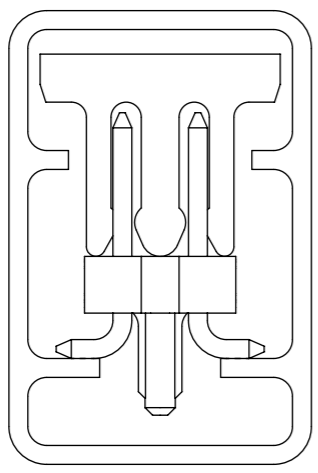
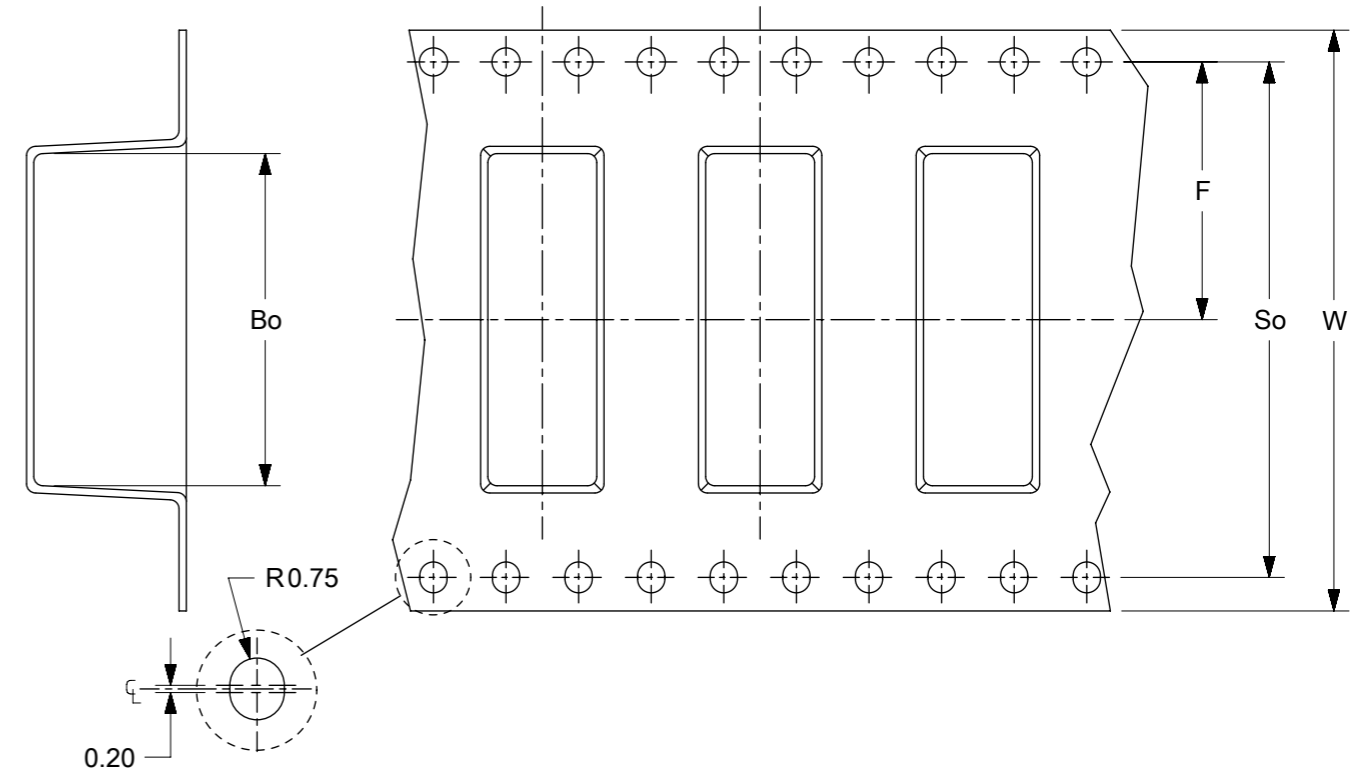
- 3. TAPE & REEL SPECIFICATION IS AS PER EIA-481.
- 4. TAPE & REEL QUANTITY = 500 PCS/REEL
- 5. THE TAPE IS TREATED FOR ANTI-STATIC

THIS DRAWING CONTAINS INFORMATION THAT IS PROPRIETARY TO MOLEX ELECTRONIC TECHNOLOGIES, LLC AND SHOULD NOT BE USED WITHOUT WRITTEN PERMISSION											
DIMENSION UNITS		SCALE		CURRENT REV DESC: DIM UPDATE						<b>molex</b>	
mm		NTS									
GENERAL TOLERANCES (UNLESS SPECIFIED)				EC NO: 612065		DRWN: VNANDAM		2019/02/14		SALES DRAWING	
4 PLACES ±				CHK'D: VNANDAM		2019/02/14		MGRID 2MM DUAL ROW SMT HDR WITH PEG			
3 PLACES ±				APPR: ISHWARG		2019/02/15		PRODUCT CUSTOMER DRAWING			
2 PLACES ± 0.2				INITIAL REVISION:		DRWN: KSEE		2003/12/19		DOCUMENT NUMBER	
1 PLACE ±				APPR: SKTOH		2004/01/12		SD-87759-207		DOC TYPE DOC PART REVISION	
0 PLACES ±				ANGULAR TOL ± 3.0°		MATERIAL NUMBER		CUSTOMER		SHEET NUMBER	
DRAFT WHERE APPLICABLE MUST REMAIN WITHIN DIMENSIONS				THIRD ANGLE PROJECTION		DRAWING		SERIES		MATERIAL NUMBER	
				A3-SIZE		87759		SEE TABLE		GENERAL MARKET	
2 OF 4											

**EMBOSED CARRIER TAPE TYPE "A"**



**EMBOSED CARRIER TAPE TYPE "B"**



**PART WITH CAP IN  
TUBE ORIENTATION**

THIS DRAWING CONTAINS INFORMATION THAT IS PROPRIETARY TO MOLEX ELECTRONIC TECHNOLOGIES, LLC AND SHOULD NOT BE USED WITHOUT WRITTEN PERMISSION												
DIMENSION UNITS		SCALE		CURRENT REV DESC: DIM UPDATE						<b>molex</b>		
mm		NTS										
GENERAL TOLERANCES (UNLESS SPECIFIED)				EC NO: 612065		2019/02/14		SALES DRAWING				
				DRWN: VNANDAM		2019/02/14		MGRID 2MM DUAL ROW SMT HDR WITH PEG				
4 PLACES ±				CHK'D: VNANDAM		2019/02/14		PRODUCT CUSTOMER DRAWING				
3 PLACES ±				APPR: ISHWARG		2019/02/15						
2 PLACES ± 0.2				INITIAL REVISION:				DOCUMENT NUMBER		DOC TYPE	DOC PART	REVISION
1 PLACE ±				DRWN: KSEE		2003/12/19		SD-87759-207		PSD	001	B3
0 PLACES ±				APPR: SKTOH		2004/01/12		MATERIAL NUMBER		CUSTOMER		SHEET NUMBER
ANGULAR TOL ± 3.0°				DRAFT WHERE APPLICABLE MUST REMAIN WITHIN DIMENSIONS		THIRD ANGLE PROJECTION		DRAWING		SERIES	SEE TABLE	
				A3-SIZE		87759		GENERAL MARKET		3 OF 4		

	10	9	8	7	6	5	4	3	2	1	
	PART NUMBER WITH CAP IN TUBE	PART NUMBER WITH CAP IN TAPE AND REEL.	CKT SIZE	A	B	C	Bo	F	So	W	EMBOSSSED TYPE
F	87759-0866	87759-6526	08	7.90	6.00	4.00	8.50	11.50	-	24.00	A
	87759-1066	87759-6527	10	9.90	8.00	6.00	10.50	11.50	-	24.00	A
	87759-1266	87759-6528	12	11.90	10.00	8.00	12.50	11.50	-	24.00	A
	87759-1466	87759-6529	14	13.90	12.00	10.00	14.50	11.50	-	24.00	A
	87759-1666	87759-6530	16	15.90	14.00	12.00	16.50	14.20	28.40	32.00	B
	87759-1866	87759-6531	18	17.90	16.00	14.00	18.50	14.20	28.40	32.00	B
	87759-2066	87759-6532	20	19.90	18.00	16.00	20.50	20.20	40.40	44.00	B
E	87759-2266	87759-6533	22	21.90	20.00	18.00	22.50	20.20	40.40	44.00	B
	87759-2466	87759-6534	24	23.90	22.00	20.00	24.50	20.20	40.40	44.00	B
	87759-2666	87759-6535	26	25.90	24.00	22.00	26.50	20.20	40.40	44.00	B
	87759-2866	87759-6536	28	27.90	26.00	24.00	28.50	20.20	40.40	44.00	B
	87759-3066	87759-6537	30	29.90	28.00	26.00	30.50	20.20	40.40	44.00	B
	87759-3266	87759-6538	32	31.90	30.00	28.00	32.50	26.20	52.40	56.00	B
	87759-3466	87759-6539	34	33.90	32.00	30.00	34.50	26.20	52.40	56.00	B
D	87759-3666	87759-6540	36	35.90	34.00	32.00	36.50	26.20	52.40	56.00	B
	87759-3866	87759-6541	38	37.90	36.00	34.00	38.50	26.20	52.40	56.00	B
	87759-4066	87759-6542	40	39.90	38.00	36.00	40.50	26.20	52.40	56.00	B
	87759-4266	87759-6543	42	41.90	40.00	38.00	42.50	26.20	52.40	56.00	B
	87759-4466	87759-6544	44	43.90	42.00	40.00	44.50	26.20	52.40	56.00	B
	87759-4666	87759-6545	46	45.90	44.00	42.00	50.50	34.20	68.40	72.00	B
	87759-4866	87759-6546	48	47.90	46.00	44.00	50.50	34.20	68.40	72.00	B
C	87759-5066	87759-6547	50	49.90	48.00	46.00	50.50	34.20	68.40	72.00	B

THIS DRAWING CONTAINS INFORMATION THAT IS PROPRIETARY TO MOLEX ELECTRONIC TECHNOLOGIES, LLC AND SHOULD NOT BE USED WITHOUT WRITTEN PERMISSION											
DIMENSION UNITS		SCALE		CURRENT REV DESC: DIM UPDATE						<b>molex</b>	
mm		NTS									
GENERAL TOLERANCES (UNLESS SPECIFIED)				MM		INCH		EC NO: 612065			
4 PLACES		±		±		±		DRWN: VNANDAM		2019/02/14	
3 PLACES		±		±		±		CHK'D: VNANDAM		2019/02/14	
2 PLACES		±		0.2		±		APPR: ISHWARG		2019/02/15	
1 PLACE		±		±		±		INITIAL REVISION:			
0 PLACES		±		±		±		DRWN: KSEE		2003/12/19	
ANGULAR TOL		±		3.0°		±		APPR: SKTOH		2004/01/12	
DRAFT WHERE APPLICABLE MUST REMAIN WITHIN DIMENSIONS				THIRD ANGLE PROJECTION		DRAWING		SERIES		MATERIAL NUMBER	
						A3-SIZE		87759		SEE TABLE	
								CUSTOMER		SHEET NUMBER	
								GENERAL MARKET		4 OF 4	

DOCUMENT STATUS	P1	RELEASE DATE	2019/02/15	04:39:44
-----------------	----	--------------	------------	----------