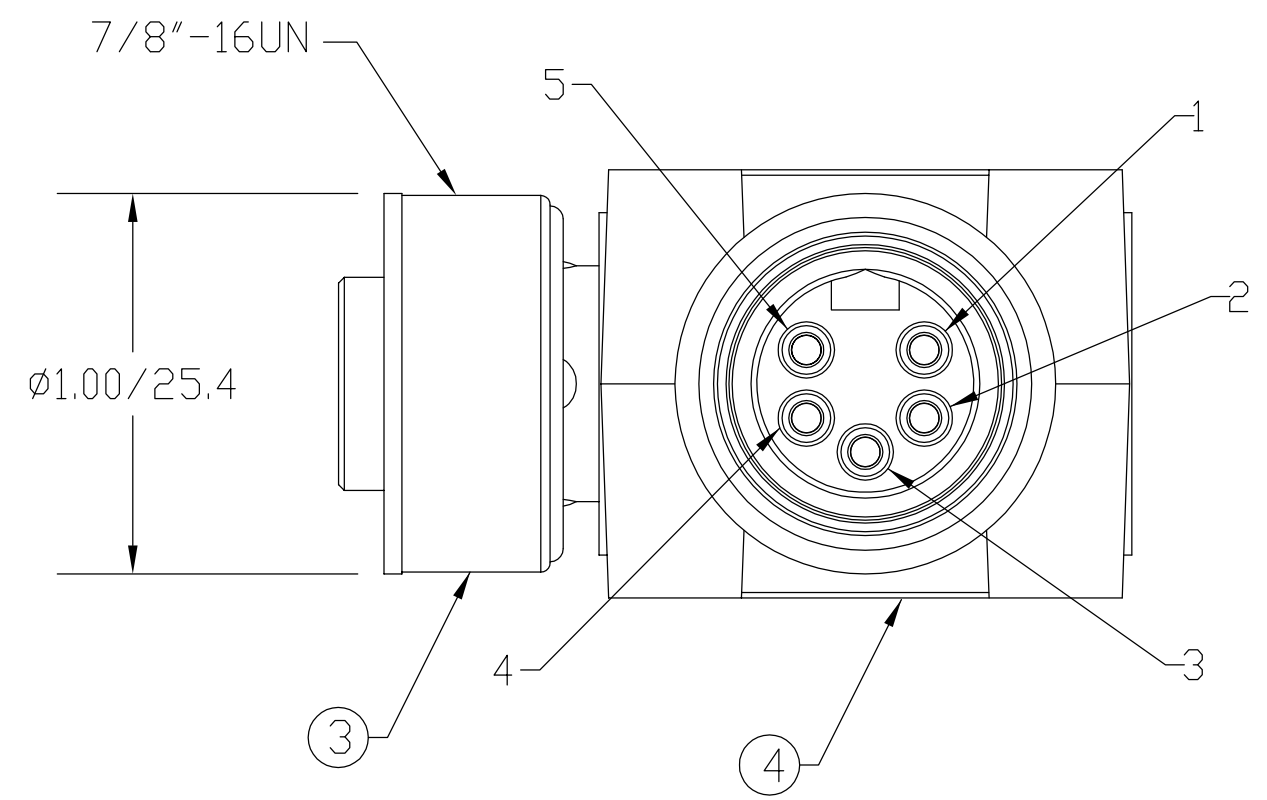
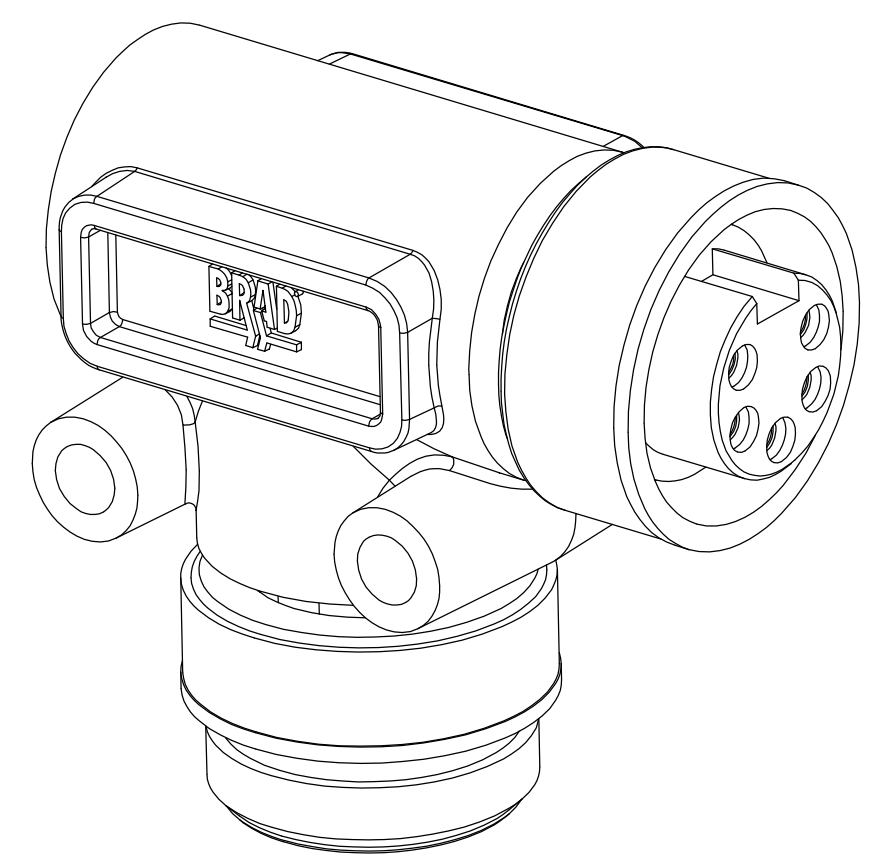
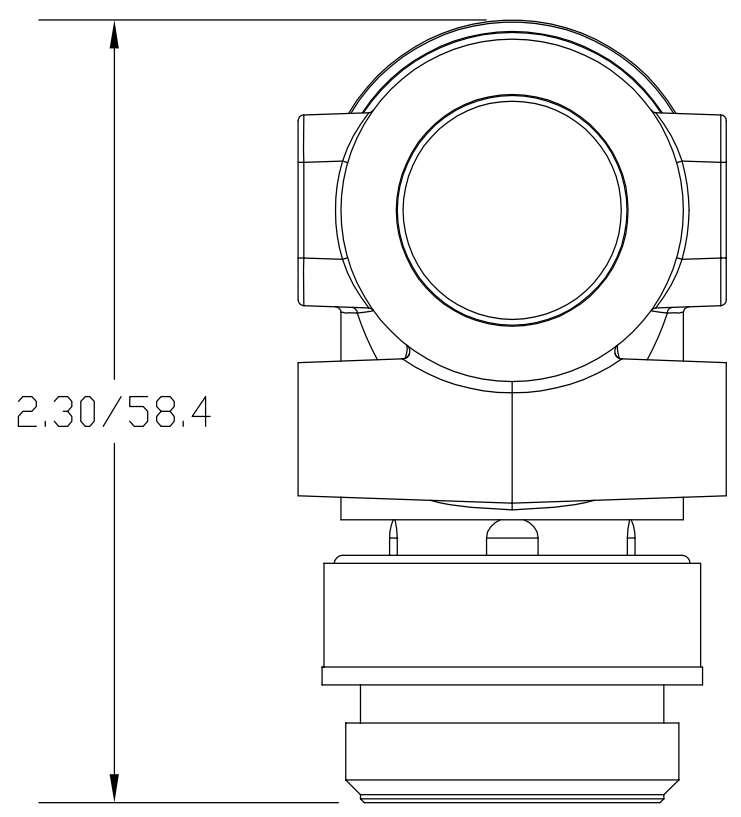
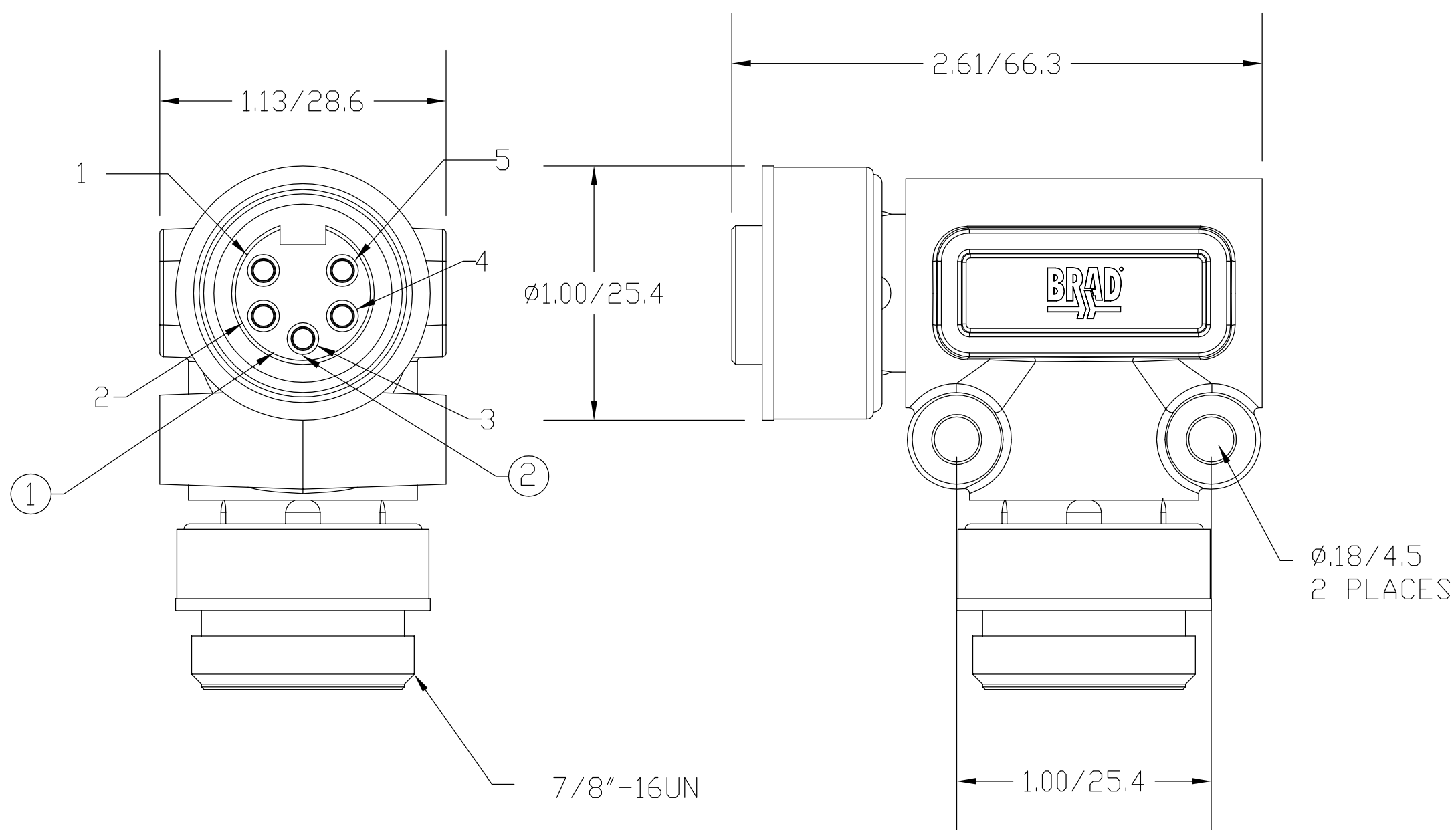


MATERIAL NUMBER	OLD PART NUMBER
130035-0013	115032A



SCHEMATIC



VOLTAGE RATING	600 VAC/VDC
AMPERAGE RATING	8 AMPS
PROTECTION	IP67
OPERATING TEMPERATURE	-20°C TO 80°C
UL CERTIFICATIONS	UL RECOGNIZED, FILE NO. E152210
CSA CERTIFICATIONS	CSA CERTIFIED, FILE NO. LR6837

ITEM	COMPONENT	MATERIAL	FINISH
1	INSERT	TPE	GRAY
2	CONTACT	COPPER ALLOY	GOLD OVER NICKEL
3	COUPLING NUT	ZINC DIE CAST	BLACK E-COATED
4	OVERMOLD	TPE	GRAY

RLSD DRAWING  
 EC NO: WNA2010-0120  
 DRWN: BWOODMAN 8/20/09  
 CH'KD: KJ  
 APPR: JFMURPHY 2009/08/27  
 REV A

QUALITY SYMBOL  
 ▽=0  
 ▽=0

GENERAL TOLERANCES (UNLESS SPECIFIED)

	mm	INCH
4 PLACES	±----	±----
3 PLACES	±----	±----
2 PLACES	±----	±.01
1 PLACE	±0.3	±----

ANGULAR ±----°  
 DRAFT WHERE APPLICABLE MUST REMAIN WITHIN DIMENSIONS

DIMENSION STYLE IN/MM  
 DRAWN BY DATE  
 BW 2009/08/20  
 CHECKED BY DATE  
 JM 2009/08/20  
 APPROVED BY DATE  
 JFMURPHY 2009/08/26  
 MATERIAL NO.  
 SEE CHART  
 SIZE C

SCALE ---  
 DESIGN UNITS ---  
 THIRD ANGLE PROJECTION  
 TITLE MC 5P FEMALE/MALE 90  
 MOLEX INCORPORATED  
 DOCUMENT NO. SD-130035-004  
 SHEET NO. 1 OF 1  
 THIS DRAWING CONTAINS INFORMATION THAT IS PROPRIETARY TO MOLEX INCORPORATED AND SHOULD NOT BE USED WITHOUT WRITTEN PERMISSION