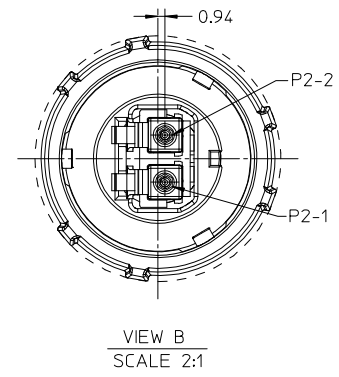
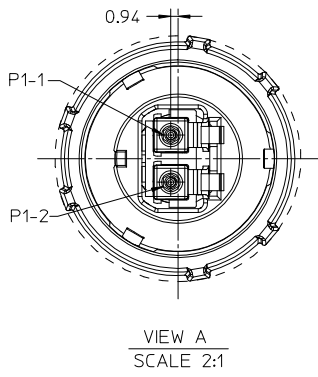
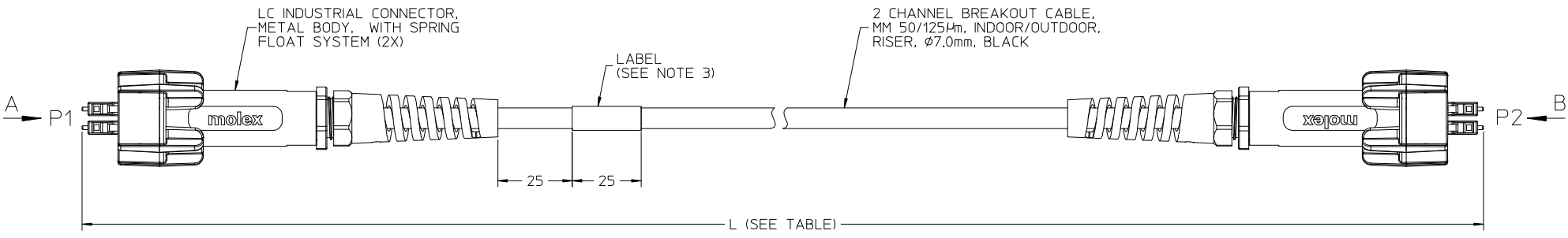


JUMPER P/N	JUMPER LENGTH L (m)
106257-6001	1.0 +0.1/-0
106257-6003	3.0 +0.2/-0
106257-6005	5.0 +0.2/-0
106257-6010	10.0 +0.3/-0
106257-6015	15.0 +0.3/-0
106257-6020	20.0 +0.4/-0
106257-6025	25.0 +0.5/-0
106257-6050	50.0 +1.0/-0

CONNECTIONS		
FROM	TO	SUBCABLE COLOR
P1-1	P2-2	BLUE
P1-2	P2-1	ORANGE



- NOTES:
- CONNECTOR DUST CAPS ARE NOT SHOWN BUT INCLUDED.
  - MAXIMUM INSERTION LOSS PER CHANNEL @ 850nm: 0.7dB. CABLE ATTENUATION IS NOT INCLUDED.
  - LABEL IS PRINTED WITH MOLEX P/N AND SERIAL NUMBER.
  - JUMPERS ≥20 meters LONG ARE SHIPPED ON A SPOOL.
  - TEST DATA IS SUPPLIED WITH EACH SHIPMENT.

<b>ENTER DESCRIPTION</b> EC NO: MF2016-0012 DRWN: SBOJANIC 2015/07/09 CHKD: IGUMIN APPR: IGUMIN 2015/07/15 REV: A	<b>QUALITY SYMBOLS</b> ▼=0 ▽=0	<b>GENERAL TOLERANCES (UNLESS SPECIFIED)</b>		<b>DIMENSION STYLE</b> <b>MM ONLY</b>	<b>SCALE</b> <b>1:1</b>	<b>DESIGN UNITS</b> <b>INCH</b>	<b>THIRD ANGLE PROJECTION</b>
		4 PLACES ± --- ± --- 3 PLACES ± --- ± --- 2 PLACES ± --- ± --- 1 PLACE ± --- ± --- 0 PLACE ± --- ± ---	mm    INCH	DRAWN BY: SBOJANIC    DATE: 2015/07/09 CHECKED BY:            DATE:	<b>TITLE</b> LC DUPLEX INDUSTRIAL METAL BODY JUMPER, MM50/125UM <b>molex</b>		<b>SHEET NO.</b> 1 OF 1
		ANGULAR ±1/2°		MATERIAL NO.	DOCUMENT NO.		<b>SD-106257-6001</b>
		DRAFT WHERE APPLICABLE MUST REMAIN WITHIN DIMENSIONS		SIZE C	THIS DRAWING CONTAINS INFORMATION THAT IS PROPRIETARY TO MOLEX INCORPORATED AND SHOULD NOT BE USED WITHOUT WRITTEN PERMISSION		