

Recommended PCB Layout

Material and Finish

Shell: Steel Material, Nickel plated
 Insulator:
 high temp. thermoplastic
 UL 94V-0 rated
 reflow process compatible

Contact Material:
 Socket- Phosphor bronze

Duplex plated as follows:
 -30 .00030" [0.00076mm] gold
 on mating end,
 tin on termination end,
 with entire contact nickel
 -15 .00015" [0.00038mm] gold
 on mating end,
 tin on termination end,
 with entire contact nickel

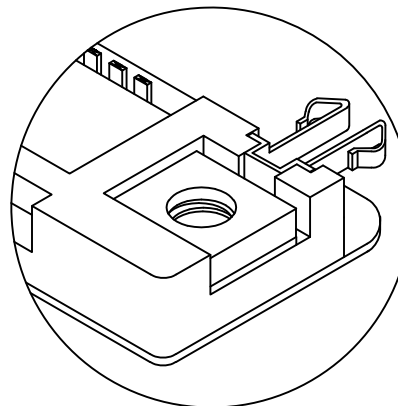
(Standard) Gold flash on mating end,
 tin on termination end, with nickel
 underplate on entire contact

Electrical Specifications

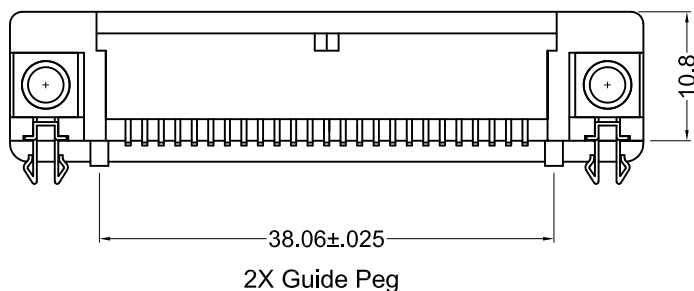
Rated Current: 2A
 Rated Voltage: 30V RMS
 Withstanding Voltage:
 500V (rms) AC for 1 min
 Insulation Resistance:
 more than 1000 Mohm
 at 500v DC
 Contact Resistance:
 13 mohm Max
 Dielectric Strength:
 1000V for 1 min
 Temperature Rating:
 -55°C to +105°C

Pin Number:

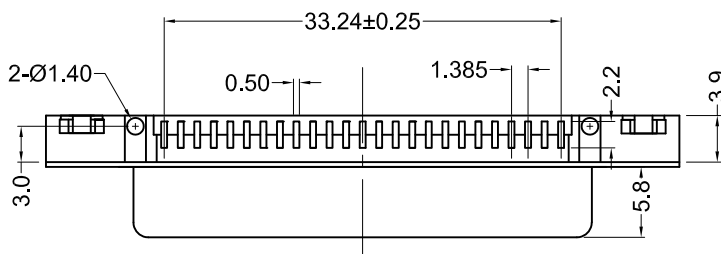
1 14 2 15 3 16 4 17 5 18 6 19 7 20 8 21 9 22 10 23 11 24 12 25 13



Fork Board Lock Type



2X Guide Peg



Part Number	Plating	Packaging
K202XHT-B25S-N	Flash	Tubes
K202XHT-B25S-N15	15u"	Tubes
K202XHT-B25S-N30	30u"	Tubes
K202XHT-B25S-N-TR	Flash	Tape and Reel
K202XHT-B25S-N15TR	15u"	Tape and Reel
K202XHT-B25S-N30TR	30u"	Tape and Reel



Tolerances
X.X ± 0.25
X.XX ± 0.15
Unless Stated
Otherwise

REV.	DATE	DESCRIPTION	REV. BY	CHK. BY	DRAWN BY	DATE
A1	09/27/06	New Drawing	R. Aguirre	H. MA	R. Aguirre	09/27/06
B1	11/29/07	ECO#07-044	WILL_H	H. MA		
B2	5/20/08	ECO#08-042	S. Vien	H. MA		
B3	08/10/18	Address Update	G. Serrato	D. Shehan		
					UNITS	
					mm	

K202XHT-B25S-N

D-Sub, Right Angle, RoHS Compliant
 Low Profile, 25 Pin Female, SMT

