

Technical specification:

Rated voltage: IEC 61076-2-101	5pos 30 V
Current rating: IEC 61076-2-101	4 A at 40°C
Insulation resistance: IEC 60512	≥100 MΩ
Pollution degree: IEC 60664-1	3/2
Degree of protection: IEC 60529	IP 67, in mated condition
Temperature range: IEC 60664-1	-30°C ... +80°C
Mating cycles: IEC 60512-9a	≥100

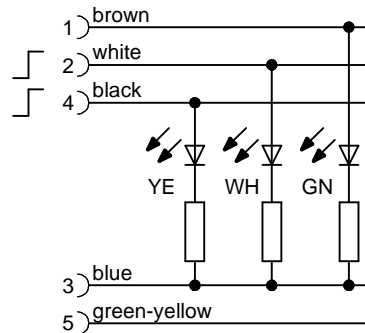
Materials:

Contact:	CuZn
Contact plating:	Nickel, gold plated
Contact carrier:	TPU GF, UL 94
Sealing:	FPM
Coupling nut:	GD-Zn, nickel plated
Moulding body:	TPU, UL 94, translucent

Installation specification:

Recommended torque:	0,6 Nm
Conec installation tool:	Torque wrench: 36-000200 Insert across flats 13: 36-000220

Contact assignment:



Part no:	Description:	Length L:	Cable:
43-10444	SAL - 12 - RKW5 - 3L - 2 / A1	2m	PVC, grey, 5x0,34mm ² Cable: 781-A13500
43-10445	SAL - 12 - RKW5 - 3L - 3 / A1	3m	
43-10446	SAL - 12 - RKW5 - 3L - 5 / A1	5m	
43-10447	SAL - 12 - RKW5 - 3L - 10 / A1	10m	
43-xxxxx	SAL - 12 - RKW5 - 3L - ... / A1	x	

D see data sheet cable

DO NOT ALTER CAD DRAWING BY HAND Directive 2002/95/EC RoHS compliant	Index: a 30.11.10 VF Ä3767 Coupling nut modified, spanner flats added, data sheet modified		dim. in mm	title: Female connector M12x1 angled with LED		
					date	
	tolerance of cable: L ≤ 4m: L + 40mm L > 4m: L + 1%		drawn		08.03.07	Burschik
	general tolerance: 0 ± 0,50mm 0,0 ± 0,25mm 0,00 ± 0,10mm		appd.		08.03.07	Mankopf
	THIS DRAWING MAY NOT BE COPIED OR REPRODUCED IN ANY WAY, AND MAY NOT BE PASSED ON TO A THIRD PARTY WITHOUT WRITTEN PERMISSION. OWNERSHIP AND COPYRIGHT OF CONEC GmbH		CONEC ®		dwg no: 43K1A478	
		part no: see table				