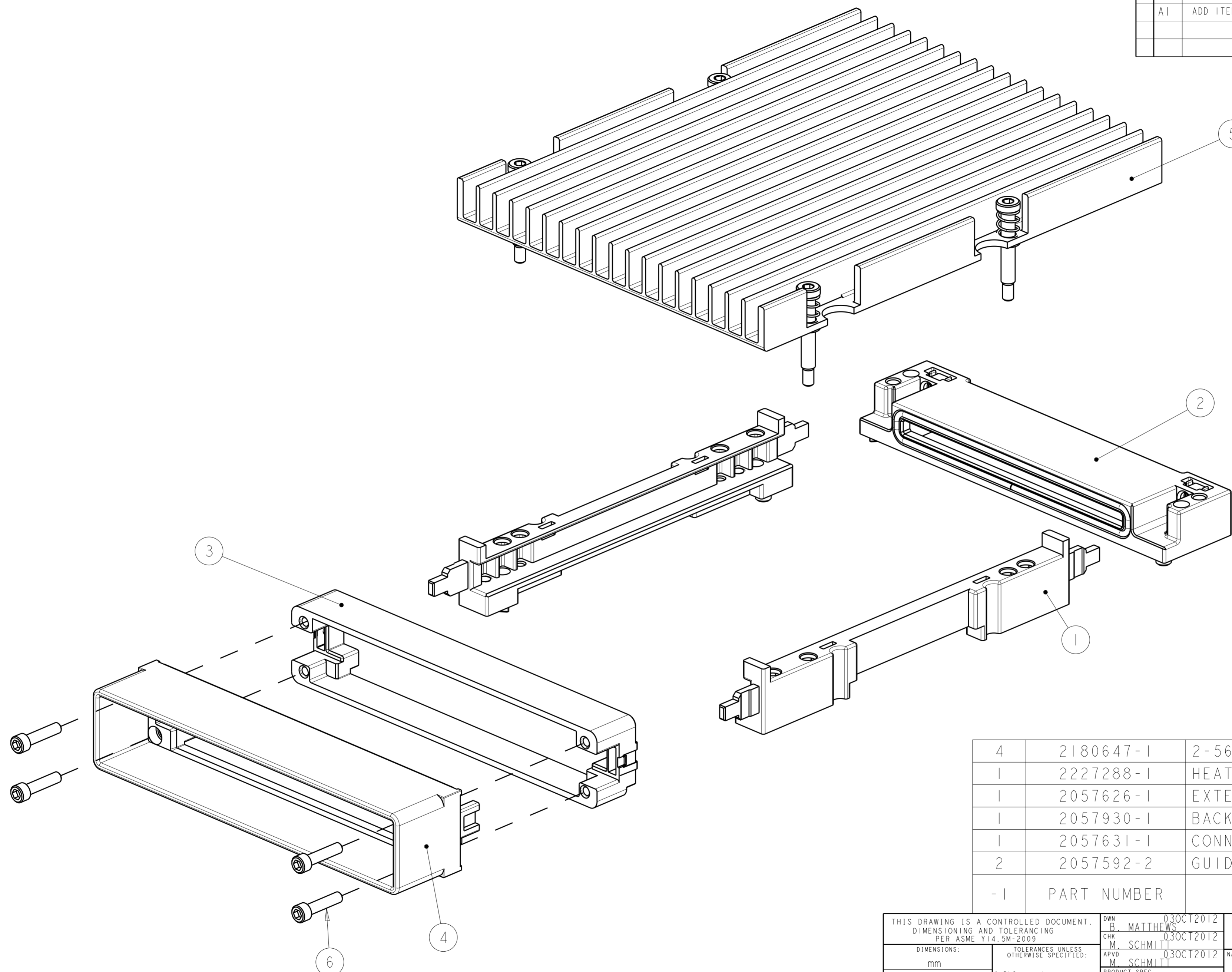


THIS DRAWING IS UNPUBLISHED. RELEASED FOR PUBLICATION 20  
 © COPYRIGHT 20 BY - ALL RIGHTS RESERVED.

| LOC | DIST | REVISIONS |     |                            |           |     |      |
|-----|------|-----------|-----|----------------------------|-----------|-----|------|
| GP  | 00   | P         | LTR | DESCRIPTION                | DATE      | DWN | APVD |
|     |      | A         |     | RELEASED PER ECO-13-005370 | 01APR2013 | CJV | MRS  |
|     |      | AI        |     | ADD ITEM 6 SCREW IN BOM    | 16JAN2019 | IT  | SH   |



|    |             |                            |         |
|----|-------------|----------------------------|---------|
| 4  | 2180647-1   | 2-56 UNC SOCKET HEAD SCREW | 6       |
| 1  | 2227288-1   | HEATSINK ASSEMBLY          | 5       |
| 1  | 2057626-1   | EXTERNAL BRACKET ASSEMBLY  | 4       |
| 1  | 2057930-1   | BACKER PLATE ASSEMBLY      | 3       |
| 1  | 2057631-1   | CONNECTOR COVER ASSEMBLY   | 2       |
| 2  | 2057592-2   | GUIDE RAIL                 | 1       |
| -1 | PART NUMBER | DESCRIPTION                | ITEM NO |

|  |  |                                 |                            |                        |
|--|--|---------------------------------|----------------------------|------------------------|
| THIS DRAWING IS A CONTROLLED DOCUMENT. DIMENSIONING AND TOLERANCING PER ASME Y14.5M-2009 |  | DWN<br>B. MATTHEWS<br>03OCT2012 | <b>STE</b> TE Connectivity |                        |
| DIMENSIONS: mm   |  | CHK<br>M. SCHMITT<br>03OCT2012  |                            |                        |
| TOLERANCES UNLESS OTHERWISE SPECIFIED:   |  | APVD<br>M. SCHMITT<br>03OCT2012 | NAME<br>CFP HARDWARE KIT   |                        |
| 0 PLC ±  |  | PRODUCT SPEC<br>108-2399        | CFP HARDWARE KIT           |                        |
| 1 PLC ±  |  | APPLICATION SPEC<br>114-13263   | SIZE<br>A200779            | CAGE CODE<br>C-2227326 |
| 2 PLC ±  |  | WEIGHT<br>-                     | DRAWING NO<br>C-2227326    | RESTRICTED TO<br>-     |
| 3 PLC ±  |  | Customer Drawing                |                            |                        |
| 4 PLC ±  |  | SCALE<br>2:1                    | SHEET<br>1                 | OF<br>1                |
| ANGLES ±   |  | REV<br>A1                       |                            |                        |
| FINISH   |  |                                 |                            |                        |