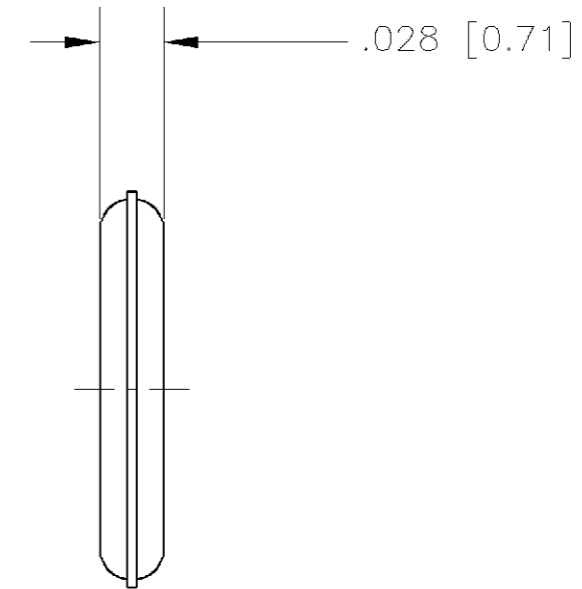
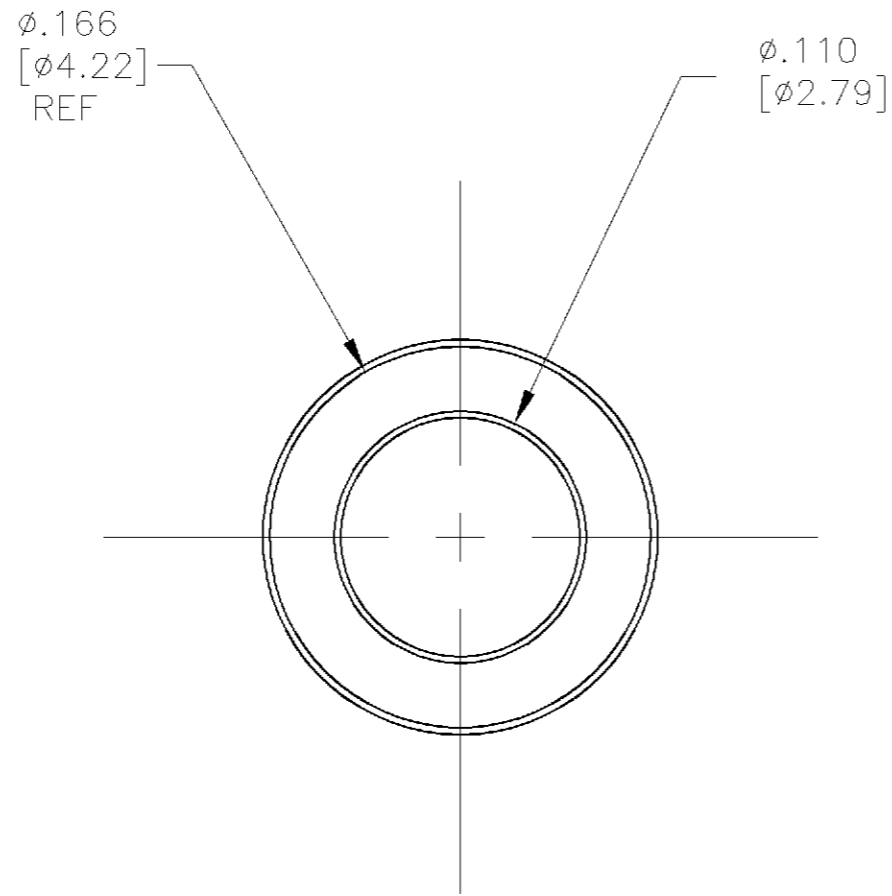


THIS DRAWING IS UNPUBLISHED. RELEASED FOR PUBLICATION
 © COPYRIGHT BY TYCO ELECTRONICS CORPORATION. ALL RIGHTS RESERVED.

LOC	DIST	REVISIONS			
P	LTR	DESCRIPTION	DATE	DWN	APVD
		0	RELEASED PER OS14-0176-02.	-	JGH JGH



COLOR	MATERIAL	PART NUMBER
BLUE	FLOUROSILICONE PER MIL-R-25988, CLASS I, TYPE I	1405423-2
BLACK	BUNA N (NITRILE) PER MIL-P-25732	1405423-1

THIS DRAWING IS A CONTROLLED DOCUMENT.		DWN J. HAVENER 17APR2002	tyco Tyco Electronics Corporation	
DIMENSIONS: INCHES [mm]		CHK J. HAVENER 25APR02	Electronics Harrisburg, PA 17105-3608	
TOLERANCES UNLESS OTHERWISE SPECIFIED:		APVD J. HAVENER 25APR02	NAME GASKET, O-RING, OSSP (4700-26)	
0 PLC ± -		PRODUCT SPEC N/A	SIZE A3	
1 PLC ± -		APPLICATION SPEC N/A	CAGE CODE 00779	DRAWING NO C-1405423
2 PLC ± .005 [0.13]		WEIGHT -	RESTRICTED TO -	
3 PLC ± -		CUSTOMER DRAWING		
4 PLC ± -		SCALE 12:1		
ANGLES ± -		SHEET 1 OF 1		
FINISH N/A		REV 0		
MATERIAL SEE TABLE				