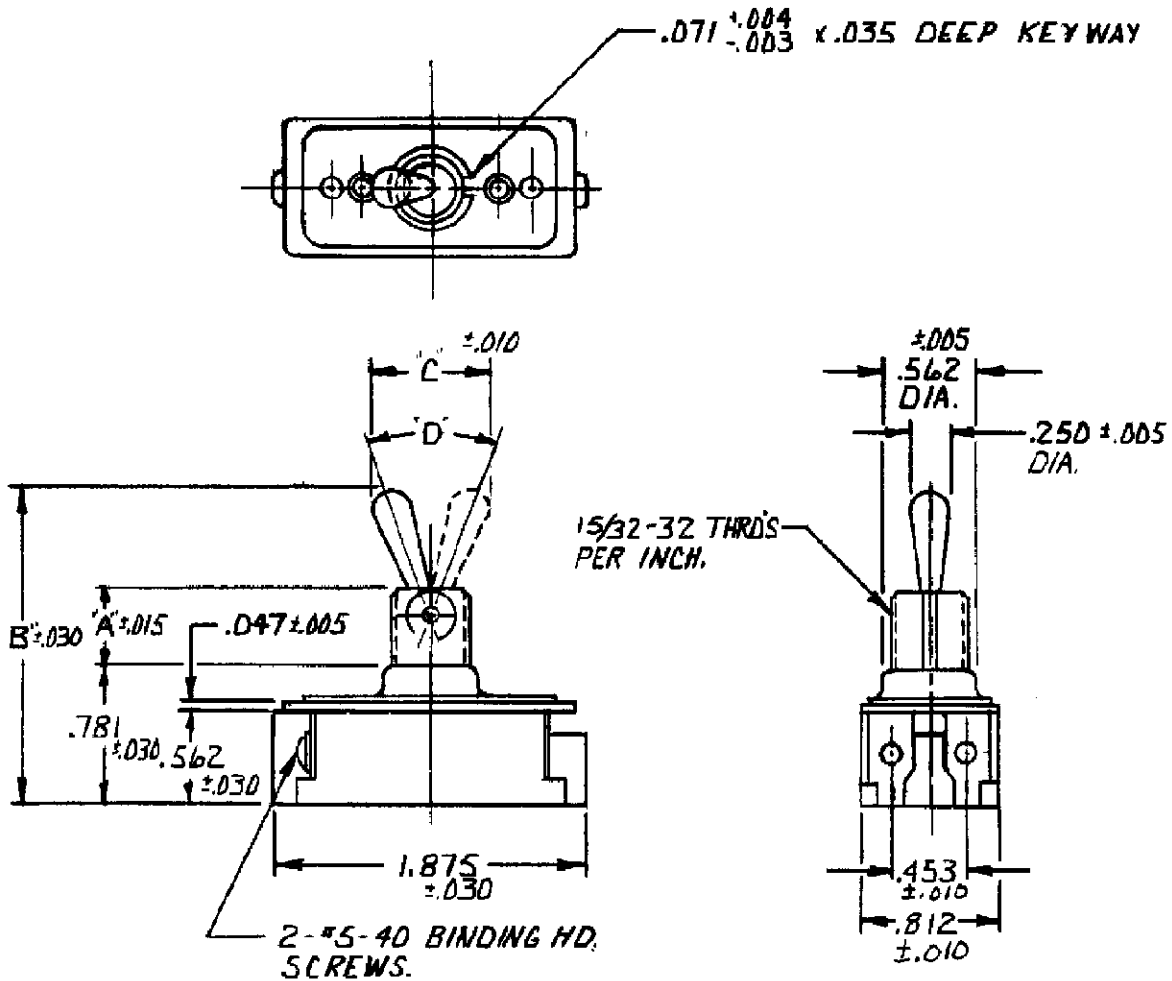


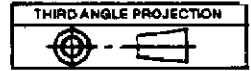
TITLE DIMENSIONS FOR DBL. POLE TOOL HD/L SW. FOR EUROPEAN USE

ORDER NO.	702R575014		BASIC SPECS. SUMMARY			
			M. R. P.G. 11-26-76	DR MICHAEL WHITEO 1/8/76	APP Richard Sandoz	
			702R575014			
A	REVISED PER ECO-11-005294	18APR11	HMR	CHK. J. SMITH	1-14-76	1520237
LTR	REVISION RECORD	DATE	CHK			REV A





$37 \pm 4^\circ$	7321	.469	1.922	.719
$50 \pm 4^\circ$	7321	.344	1.766	.844
"D"	CAT. NO.	A	B	C



TITLE DIMENSIONS FOR SINGLE POLE ONE HANDLE MTG. TOOL HANDLE SWITCH.

ORDER NO. 9310N10 BASIC SPECS. SUMMARY

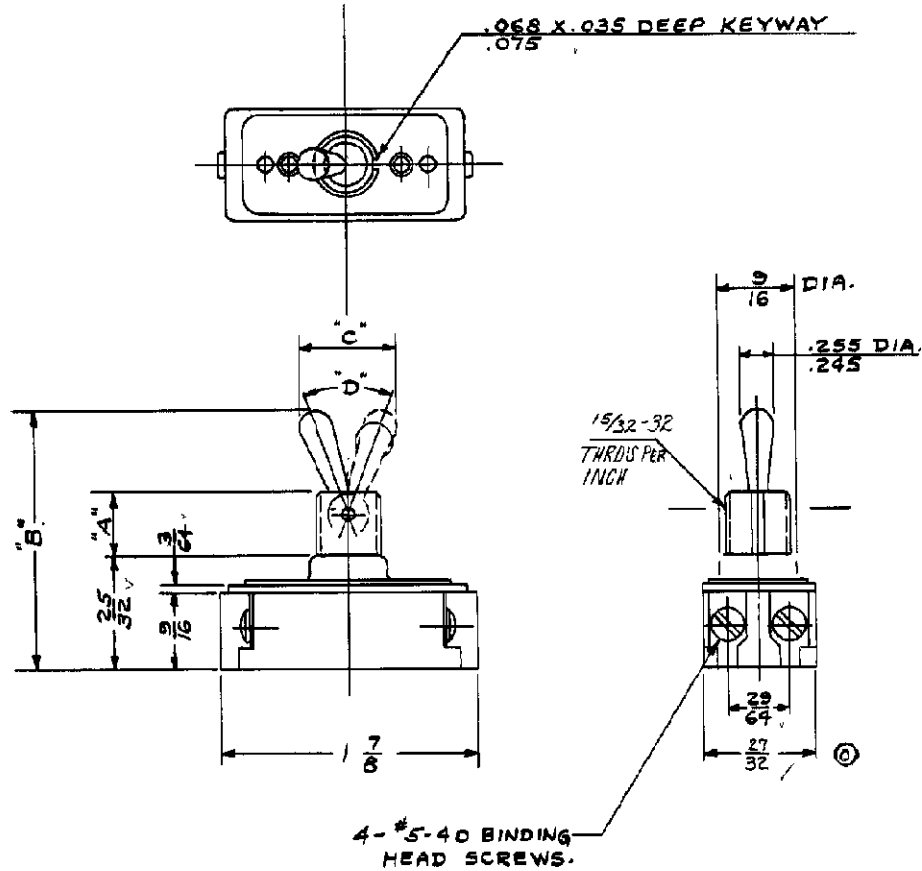
DR. JEFF BROTHERS	11/27/04	APP. Bill Newland	1520237	REV A
CHK. GLENN STORV	11/27/04			

SEE SHEET 1



1520237

RAW MAT SPEC WITH  
PART NO AND AMOUNT REQ'D.



37°±4°	7320	15/32	159/64	21/32
50°±4°	7320	11/32	149/64	21/32
"D"	CAT. NO.	A	B	C

BULLETIN  
DIMENSIONS FOR ~~37°±4°~~, ONE HOLE MTG. TOOL HANDLE SWITCH

DR. <i>E. R. Leonard</i>	11/8/40	1520237
CHKD. <i>J. P. Pacla</i>	10/14/40	SUP. B. NON-INTERCHANGEABLE
APP. <i>J. P. Pacla</i>	10/15/40	SUP. D BY NON-INTERCHANGEABLE
DO NOT SCALE DRAWING. WORK ACCORDING TO DIMENSIONS.		SURFACE COATING
STANDARD TOLERANCES 90-275 APPLY TO DIMENSIONS FOR WHICH TOLERANCES ARE NOT SPECIFIED.		SCALE 1" = 1"
SEE SHEET 1	ORDER NO. DEV. 4041-10	REV A

FORM NO. 7  
MAY 1963  
15-40  
TECHNICAL CENTER

**STE** TE Connectivity