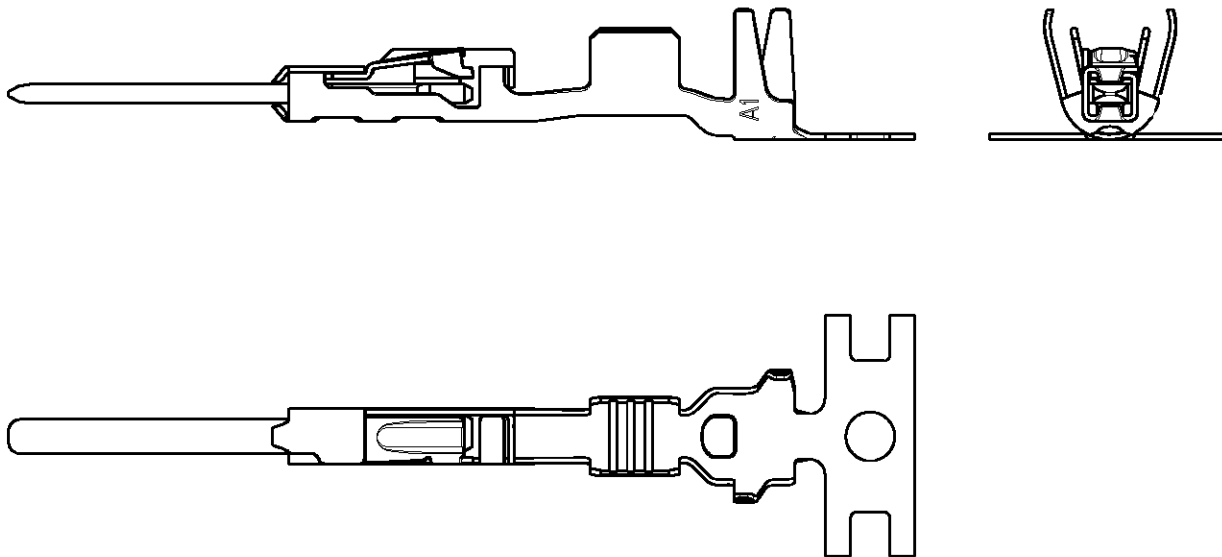


LOC	DIST	REVISIONS				
P	LTR	DESCRIPTION	DATE	DWN	APVD	
A1	-					
	A1	NEW DRAWING	23MAR07	R.M.	-	



REFER TO PRODUCT GROUP DRAWING 1418754
FOR LATEST INFORMATION ON THE PART


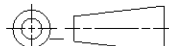
Für aktuelle Information zum Teil wird auf die
Produkt - Gruppenzeichnung 1418754 hingewiesen

2001

RELEASED FOR PUBLICATION

THIS DRAWING IS UNPUBLISHED.

© COPYRIGHT 2001 BY TYCO ELECTRONICS CORPORATION. ALL RIGHTS RESERVED.

DIMENSIONS: mm	DWN	23MAR07	MATERIAL	-	FINISH	-
	CHK	23MAR07	 tyco Electronics AMP GmbH D - 64625 Bensheim			
TOLERANCES UNLESS OTHERWISE SPECIFIED:	R. Meier	APVD				
0 PLC ±	PRODUCT SPEC	-	NAME			
1 PLC ±	-	-	TAB CONTACT 1.2MM - SWS			
2 PLC ±	APPLICATION SPEC	-	Flachstecker 1.2mm - EDS			
3 PLC ±	-	-	SIZE	CAGE CODE	DRAWING NO	RESTRICTED TO
4 PLC ±	-	-	A 4	00779	©=1718762	-
ANGLES ±	WEIGHT	-	CUSTOMER DRAWING			
			SCALE	4:1	SHEET 1 OF 1	REV A1