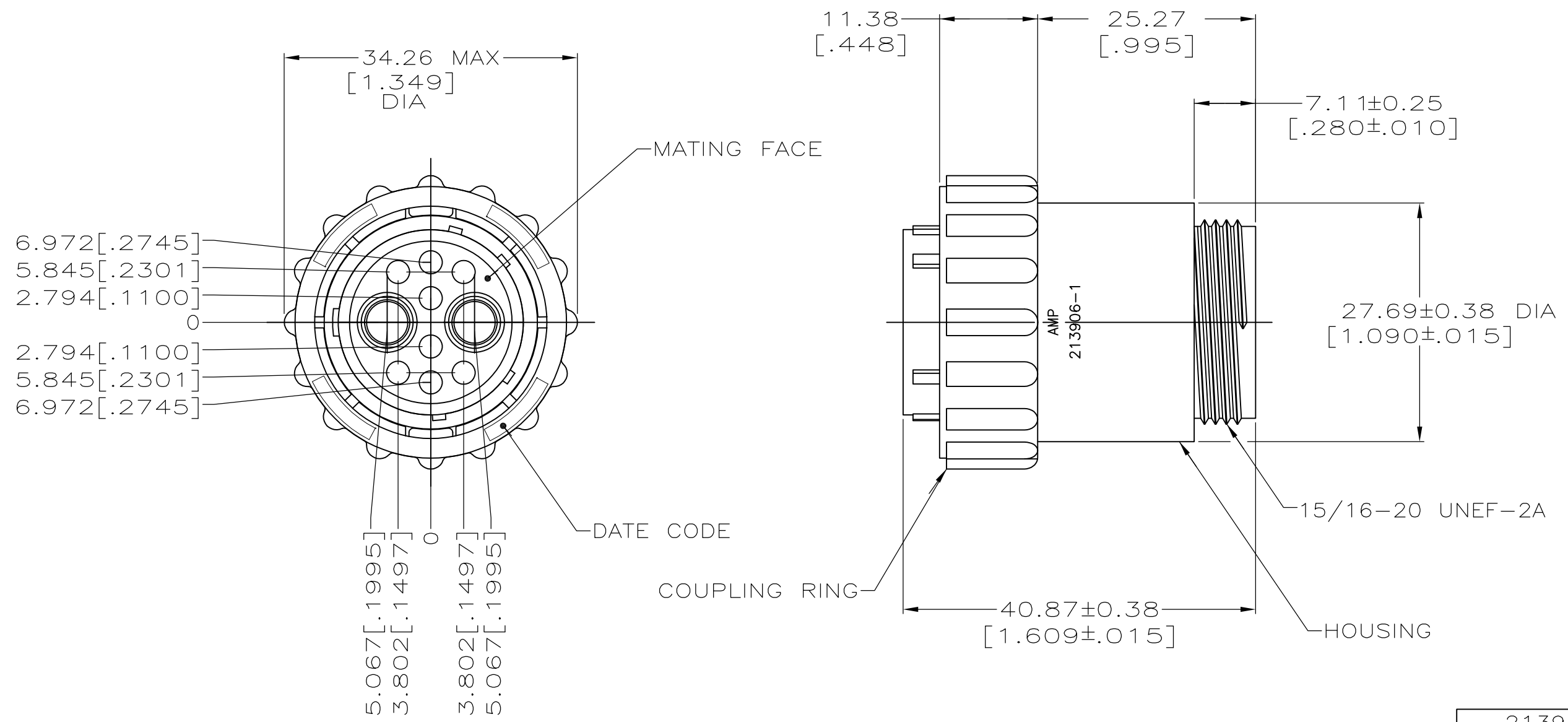


LOC	DIST	REVISIONS					
FT	0	P	LTR	DESCRIPTION	DATE	DWN	APVD
		D1		REVISED PER ECO-11-004917	11MAR11	RK	HMR



213906-1
PART NUMBER

⚠ HOUSING: GLASS FILLED NYLON, 6/6, BLACK
 COUPLING RING: POLYESTER, BLACK

THIS DRAWING IS A CONTROLLED DOCUMENT.		DWN	D.HARDY	07/04/95			
DIMENSIONS: mm[INCHES]		CHK	W.G.LENKER	07/05/95			
TOLERANCES UNLESS OTHERWISE SPECIFIED:		APVD	A.FRANTUM	07/05/95	NAME		
0 PLC ± - 1 PLC ± - 2 PLC ± 0.13 [.005] 3 PLC ± 0.013 [.0005] 4 PLC ± - ANGLES ± -		PRODUCT SPEC		PLUG ASSEMBLY, REVERSE SEX, 17-10, SERIES 6, CIRCULAR PLASTIC CONNECTOR			
MATERIAL		APPLICATION SPEC		SIZE			RESTRICTED TO
FINISH		WEIGHT		CAGE CODE			
⚠		-		DRAWING NO			
		-		A3 00779 C-213906			
CUSTOMER DRAWING				SCALE	2:1	SHEET	1 of 1
				REV		D1	