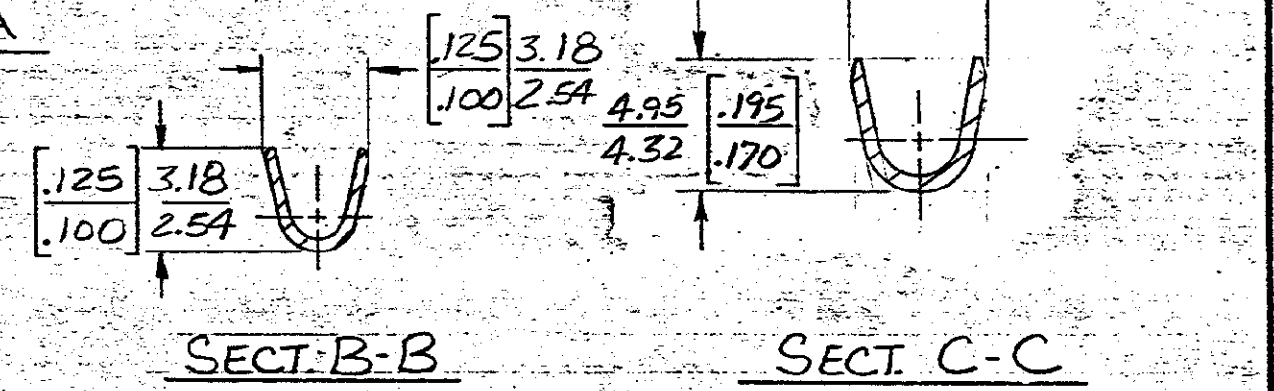
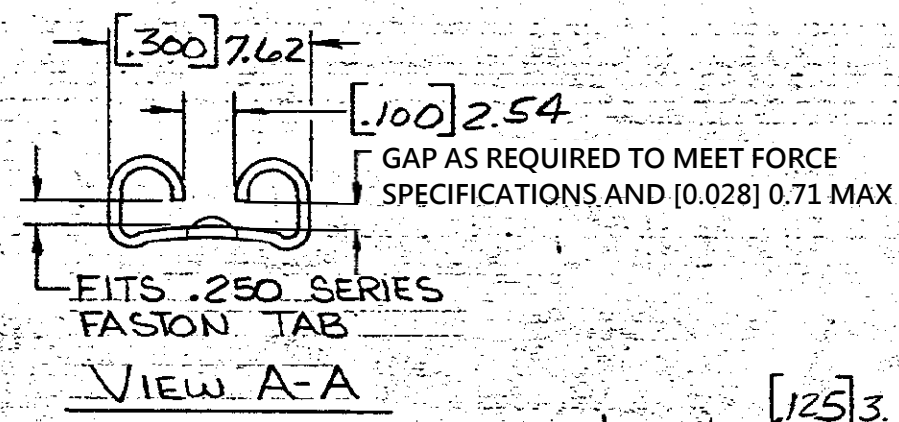
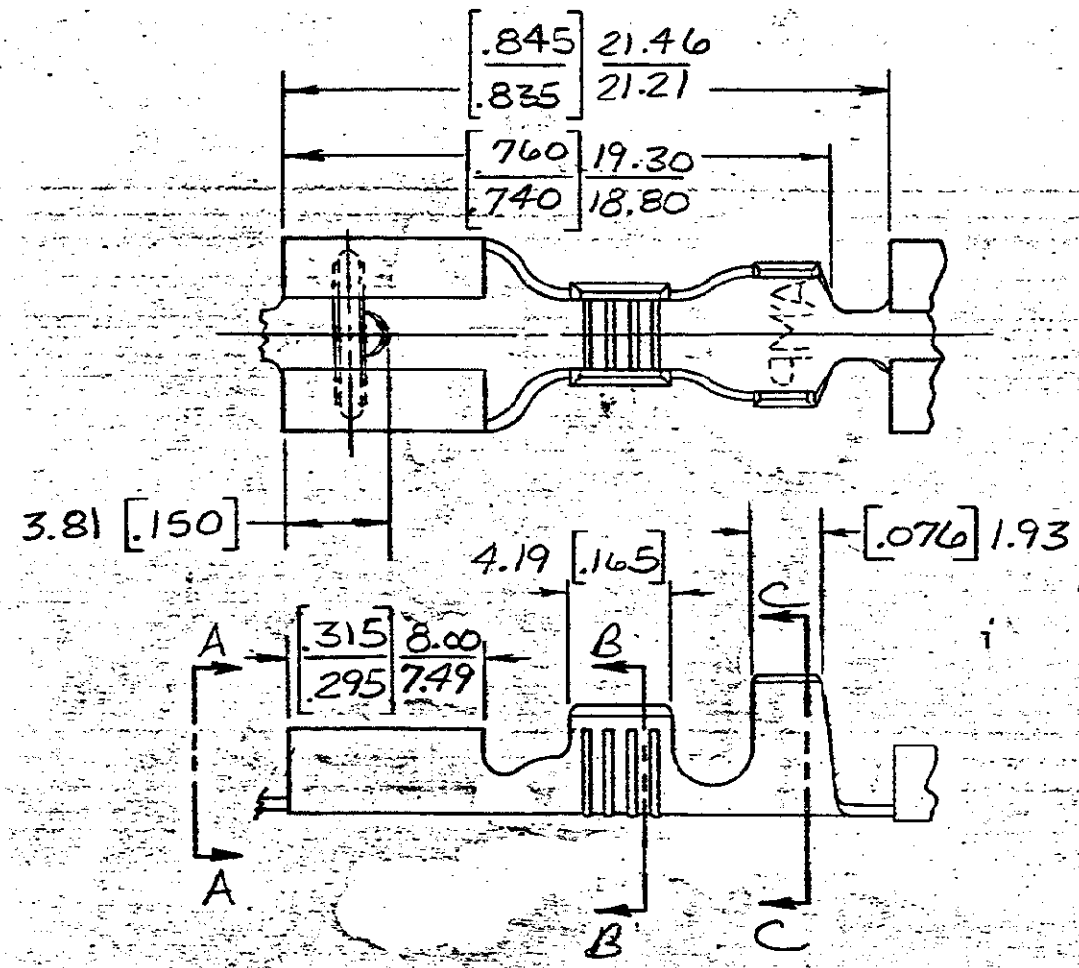


THIS DRAWING IS UNPUBLISHED. RELEASED FOR PUBLICATION . 19
 © COPYRIGHT BY

		1		LOC	AF	DIST	50
REVISIONS							
P	F	ZONE	LTR	DESCRIPTION	DATE	APPROVED	
			S	REVISED PER ECR-12-013445	24NOV12	PD	
			S1	REVISED PER ECR-20-009164	06AUG2020	DH	



- DIMENSIONS IN BRACKETS ARE IN INCHES
 2-CONTINUOUS STRIP ON REELS

FINISH	MATERIAL	INSULATION RANGE	WIRE SIZE	TAB THK	PART NO
TiN	[.06] 0.41 STL.	[.090-.130] 2.29-3.30	[22-18] 0.3-0.8mm ²	[.032] 0.81	42510-4
NICKEL	[.06] 0.41 STL.	[.090-.130] 2.29-3.30	[22-18] 0.3-0.8mm ²	[.032] 0.81	42510-3
TiN	BRASS	[.090-.130] 2.29-3.30	[22-18] 0.3-0.8mm ²	[.033-.030] 0.84-0.76	42510-2
NONE	BRASS	[.090-.130] 2.29-3.30	[22-18] 0.3-0.8mm ²	[.033-.030] 0.84-0.76	42510-1

UNLESS OTHERWISE SPECIFIED DIMENSIONS ARE IN INCHES. M.M. TOLERANCES ON DECIMALS ±.015] 0.38 ANGLES ±	CONTRACT NO	 TE Connectivity NAME: 250 SERIES FASTON RECEPTACLE SIZE: B FSCM NO: 00779 DRAWING NO: 42510 SCALE: SHEET
	DR: <i>NR Ruff</i> 10/28/83	
	CHK: <i>G Yeller</i> 11/3/83	
	APPD: <i>C. Myers</i> 11-7-83	
MATERIAL: SEE ABOVE	APPD: <i>V. K...</i> 11-16-83	
FINISH: SEE ABOVE	DSGN APPD: <i>V</i>	
	OTHER APPD:	