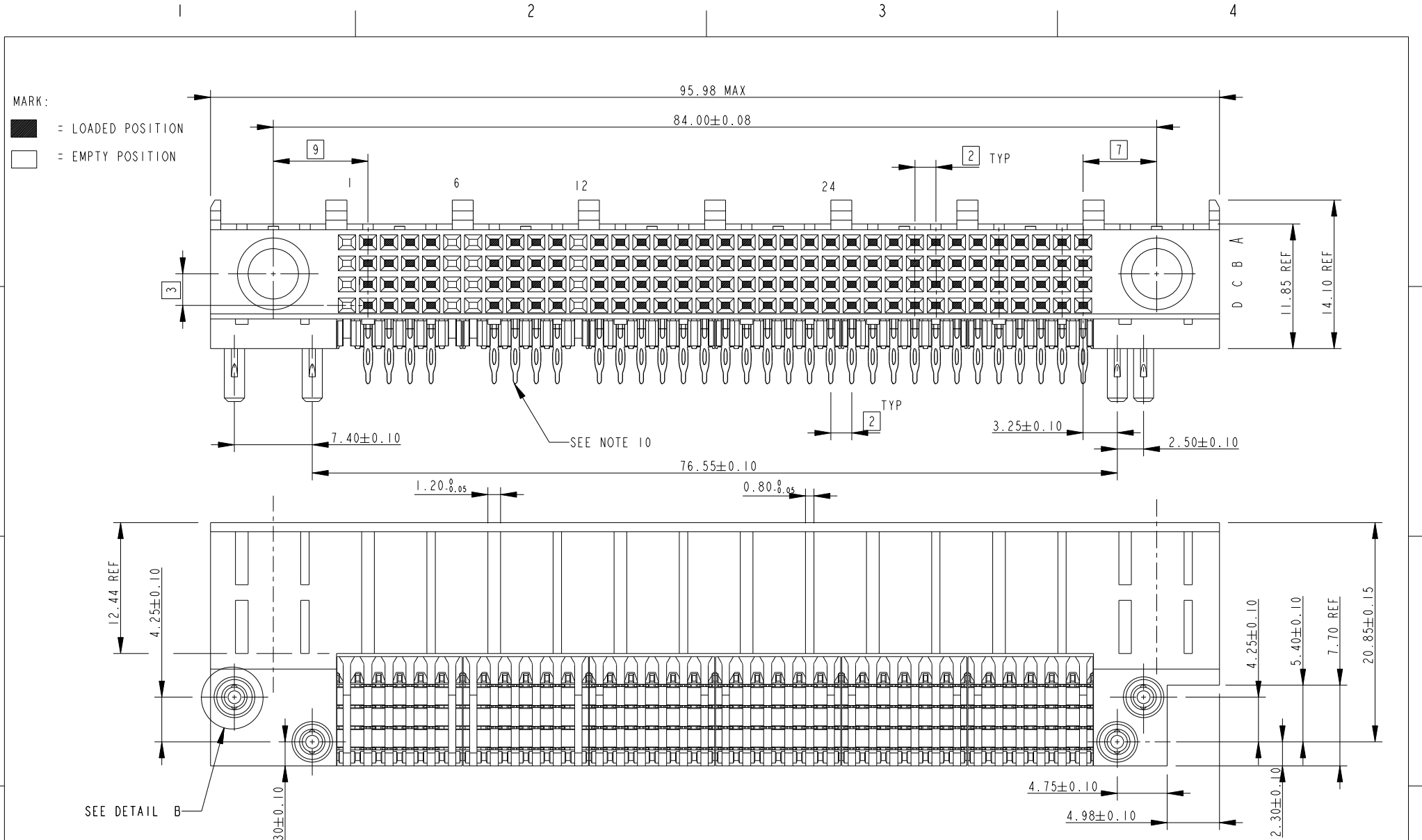




Copyright FCI.



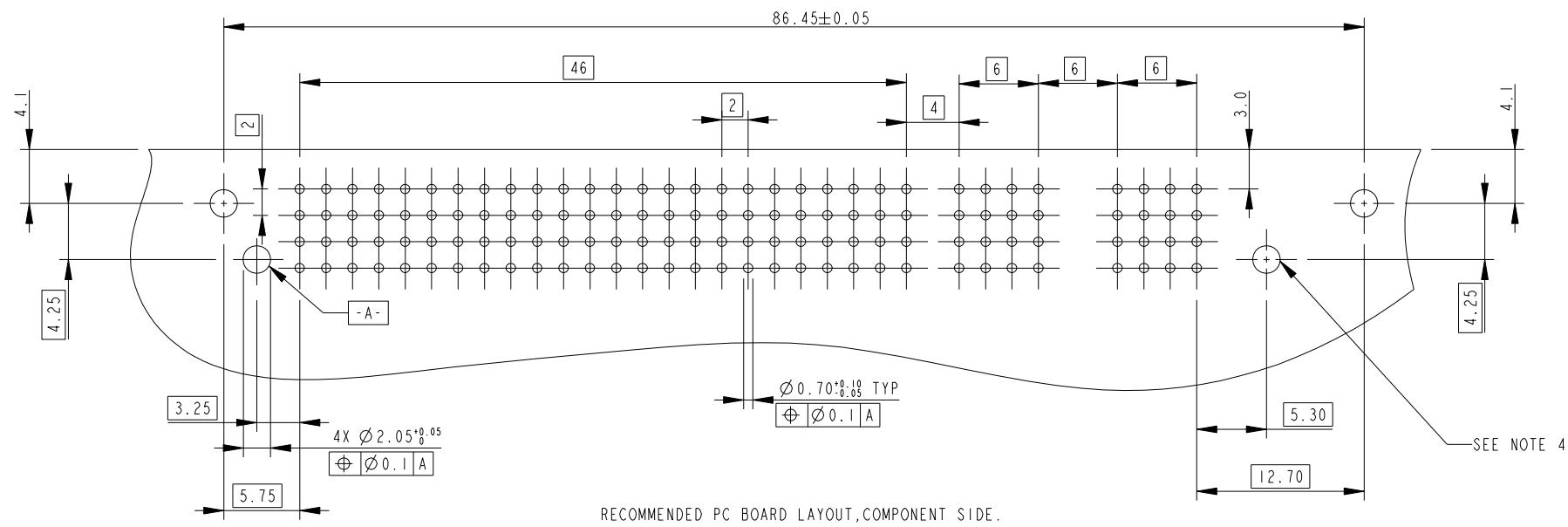
REV F - 2006-04-17

rev	ecn no	dr	date
A	DG07-0153	Cenh	12/07/06
B	DG08-0174	Cenh	03/07/08
C	DG10-0320	Cenh	09/01/10
-	-	-	-
-	-	-	-
-	-	-	-
-	-	-	-

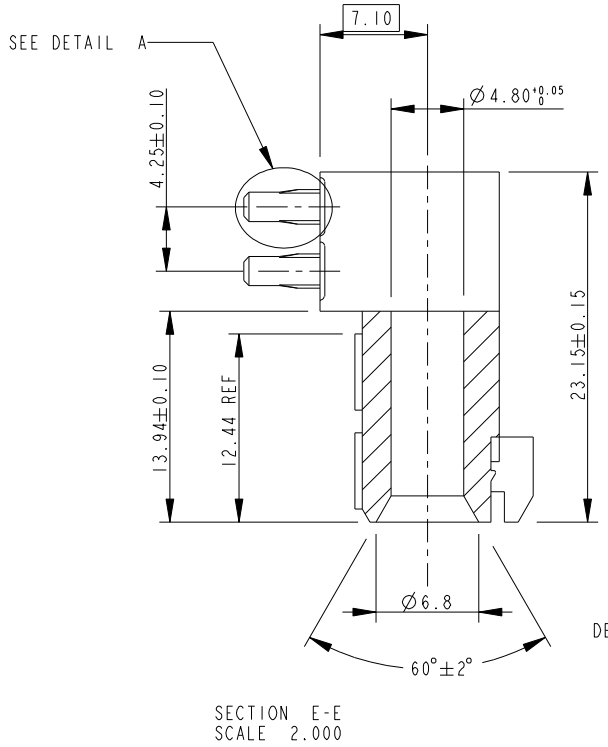
www.fciconnect.com		surface <input checked="" type="checkbox"/>	tolerance std	projection	MM
		TOLERANCES UNLESS OTHERWISE SPECIFIED			
Dr	HEAVEN CEN	12/07/06	ANGULAR	size	Scale
Eng	COLLINS LU	12/07/06	LINEAR	A4	1.000
Chr	GARY HSIEH	12/07/06	0° ± 2°	ECN	
Appr	JOSEPH HSIA	12/07/06	Product family	Spec ref	
		title		dwg no	Rev.
		4 ROW PF MONOBLOCK		10074783	C
		RA RECEPTACLE - 96mm		CUSTOMER	sheet 1 of 3
		catalog no			



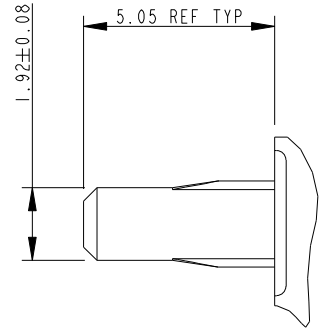
Copyright FCI.



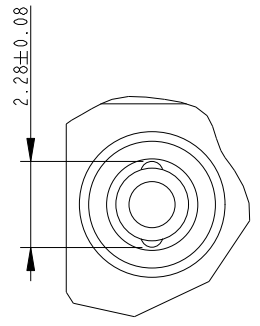
RECOMMENDED PC BOARD LAYOUT, COMPONENT SIDE.



DETAIL OF GUIDE MODULE



DETAIL A SCALE 5.000



DETAIL B SCALE 5.000

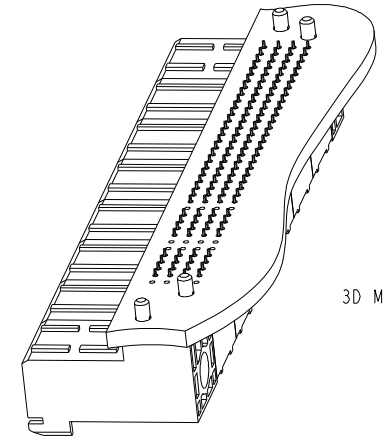
TABLE I PLATED THRU HOLE REQUIREMENTS	
HOLE DIAMETER AFTER PLATING	0.65-0.80
DRILLED HOLE	0.81-0.86 (0.85 DRILL)
COPPER PLATING	0.025-0.05
Sn PLATING	0.005-0.015

www.fciconnect.com			surface	<input checked="" type="checkbox"/>	tolerance std	projection	MM
			TOLERANCES UNLESS OTHERWISE SPECIFIED				
Dr	HEAVEN CEN	12/07/06	ANGULAR	LINEAR	0.X	± 0.3	size A4
Eng	COLLINS LU	12/07/06			0.XX	± 0.13	
Chr	GARY HSIEH	12/07/06			0.XXX	± 0.051	
Appr	JOSEPH HSIA	12/07/06	Product family		Metral	Spec ref	
FCI			title		4ROW PF MONOBLOCK		dwg no
			RA RECEPTACLE - 96mm		10074783		
			catalog no		CUSTOMER		Rev. C
					sheet 2 of 3		

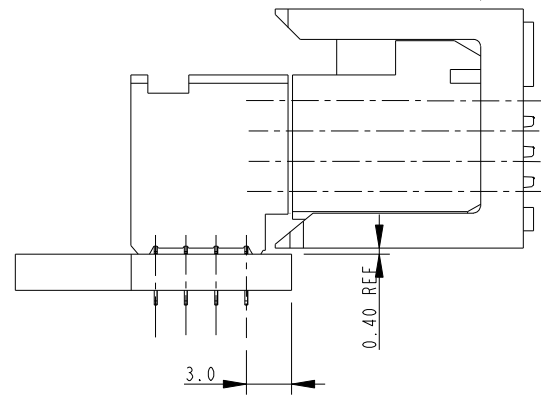
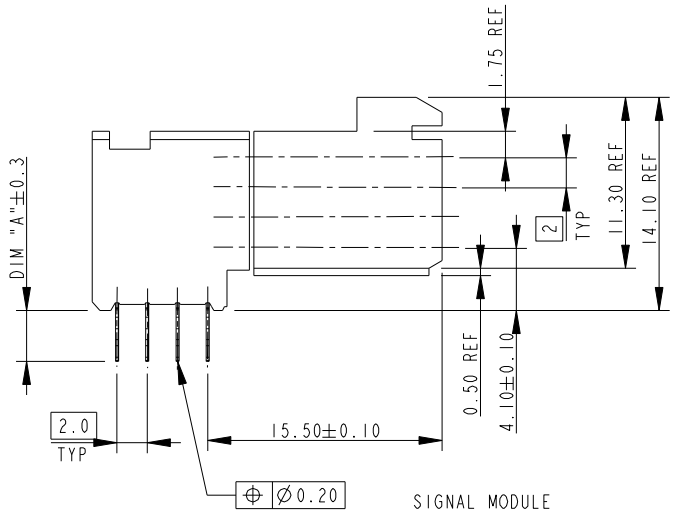
REV F - 2006-04-17

PRODUCT NR:	PCB THICKNESS	DIM "A"
10074783-101LF	2.4	3.53

PRODUCT NR:	PLATING CONTACT AREA:	UNDERPLATING	PERFORMANCE LEVEL
10074783-101LF	0.8 um GOLD OR GXT	1.3 um Ni MIN.	TELCORDIA CO



3D MODEL



NOTES:

- BODY MAT'L: LIQUID CRYSTAL POLYMER 30% GLASS  
FLAME RETARDANT ACC. UL 94-V0
- TERMINAL MATERIAL: PHOSPHOR BRONZE.
- TAIL PLATING: 2-8 um PURE Sn
- INDICATED HOLES ARE UNPLATED.
- PRODUCT MARKING: PARTNUMBER & BATCH ID.
- THIS PRODUCT MEETS EUROPEAN UNION DIRECTIVES AND OTHER COUNTRY REGULATIONS AS DESCRIBED IN GS-22-008
- ALL PRODUCTS WILL WITHSTAND EXPOSURE TO 240 DEGREE FOR 60 SECONDS IN A CONVECTION, INFRARED OR VAPOR PHASE REFLOW OVEN.
- TOP SURFACE OF PRESS BLOCK MAY EXTEND UP TO 0.4MM HIGHER THAN HOUSING THIS MAY AFFECT THE TAIL LENGTH BEFORE APPLICATION TO A BOARD
- PRESS IN TOOL SHOULD COVER THE WHOLE CONNECTOR LENGTH
- PRESS FIT ACCORDING PRODUCT SPECIFICATION GS-12-002

www.fciconnect.com			surface <input checked="" type="checkbox"/>	tolerance std	projection	MM	
			TOLERANCES UNLESS OTHERWISE SPECIFIED				
Dr	HEAVEN CEN	12/07/06	ANGULAR	LINEAR	0.x	± 0.3	
Eng	COLLINS LU	12/07/06			0.xx	± 0.13	size A4
Chr	GARY HSIEH	12/07/06	0° ± 2°		0.xxx	± 0.051	ECN
Appr	JOSEPH HSIA	12/07/06	Product family		Metral	Spec ref	
	title		4 ROW PF MONOBLOCK		dwg no	10074783	Rev. C
			RA RECEPTACLE - 96mm				
	catalog no				CUSTOMER	sheet 3 of 3	



Copyright FCI.