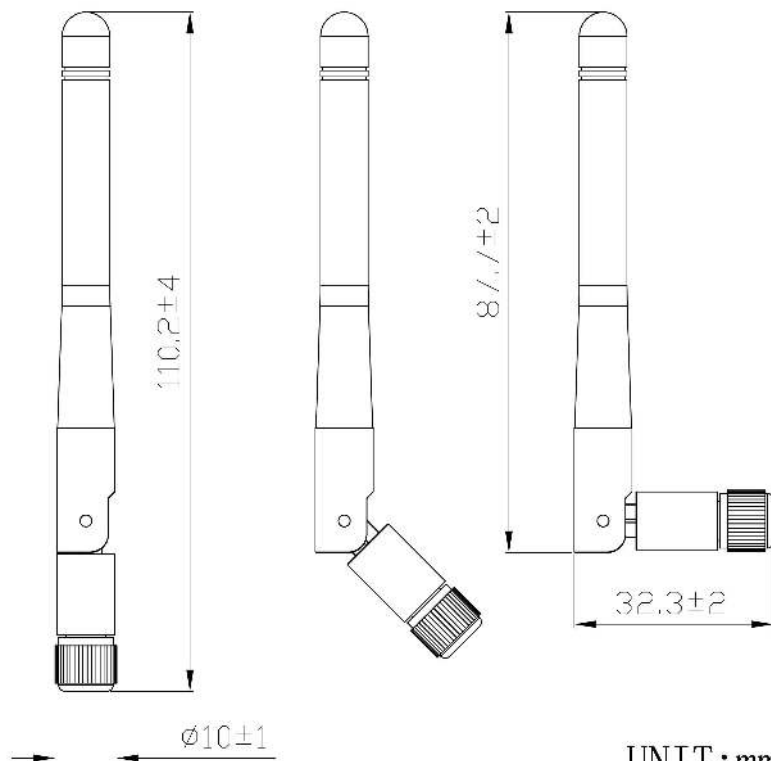


# 915MHz Antenna JCG402LR-2



## DIMENSIONS



UNIT : mm

## SPECIFICATIONS

Item		Specifications
Antenna	Frequency	915±5MHz
	Band Width	10MHz
	Polarization	Linear
	Gain	2dBi (Zenith)
	V.S.W.R	≤2.0
	Impedance	50 Ω
	Connector	SMA Male
	Radiation	Omnidirectional
Environmental	Operating Temperature	-40℃~+85℃
	Vibration	10 to 55Hz with 1.5mm amplitude 2hours
	Environmentally Friendly	ROHS Compliant

## Radiation Pattern

