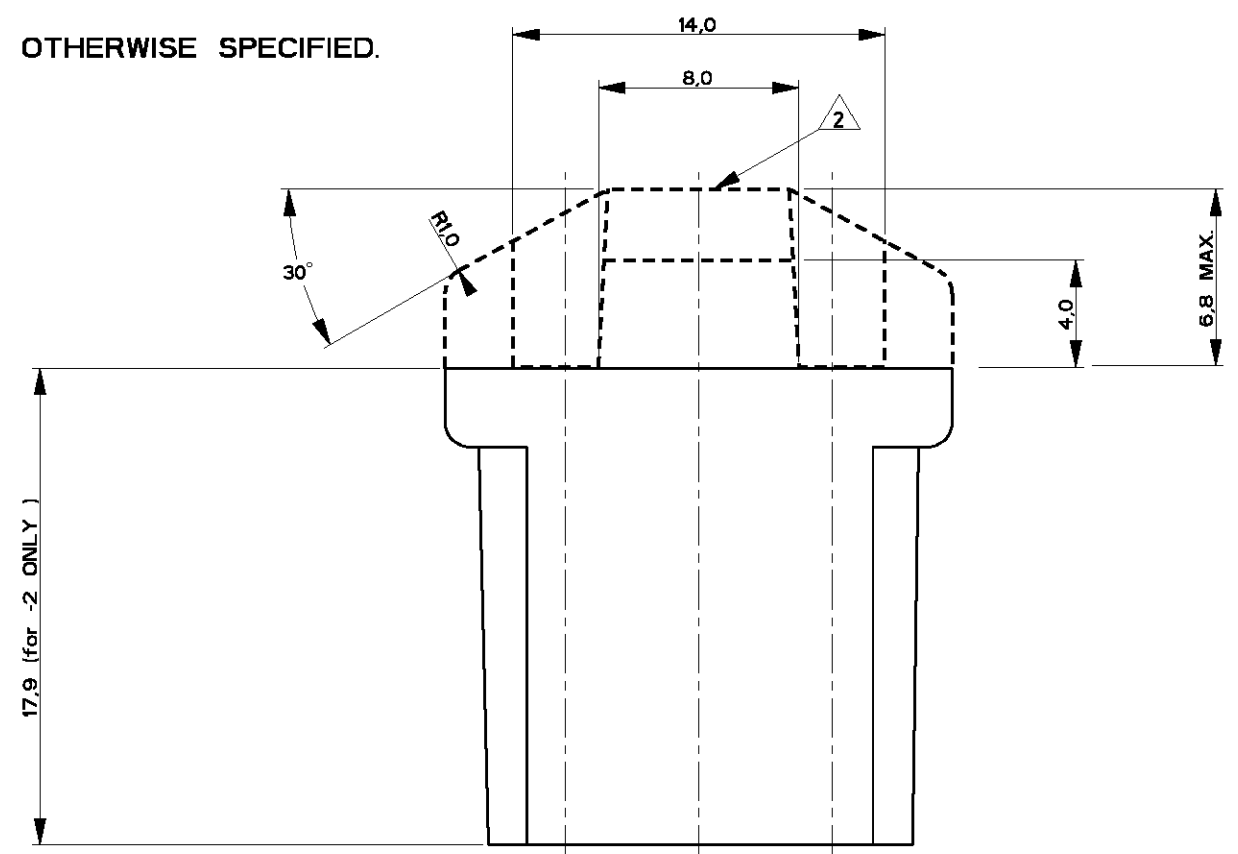


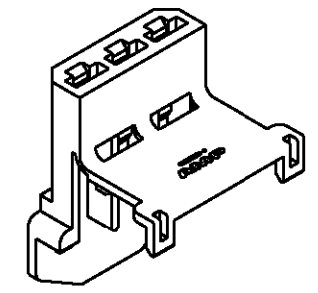
THIS DRAWING IS UNPUBLISHED. RELEASED FOR PUBLICATION
 © COPYRIGHT - BY TYCO ELECTRONICS CORPORATION. ALL RIGHTS RESERVED.

LOC	DIST	REVISIONS			
P	LTR	DESCRIPTION	DATE	DWN	APVD
H	-	C	EHB0-0110-04	30SEP04	RvH MvD

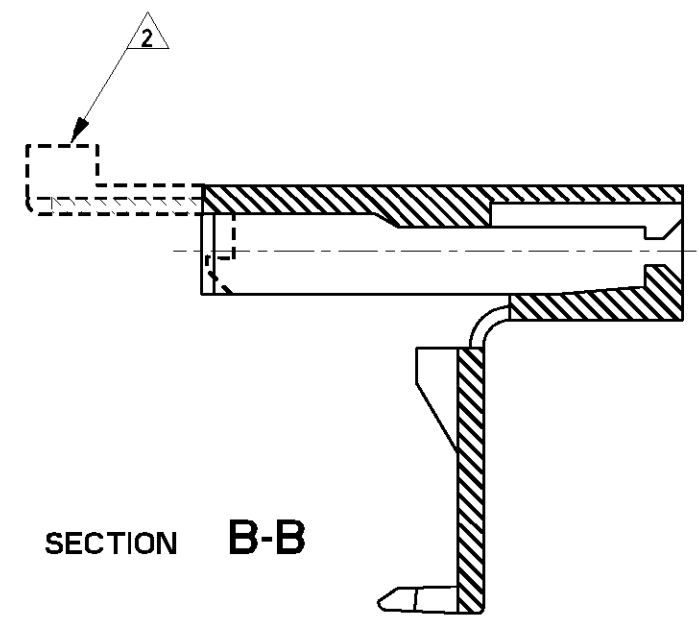
NOTES:
 1 GENERAL TOLERANCE ± 0,3 UNLESS OTHERWISE SPECIFIED.
 2 : DOTTED LINES : CONFIGURATION FOR -1 ONLY



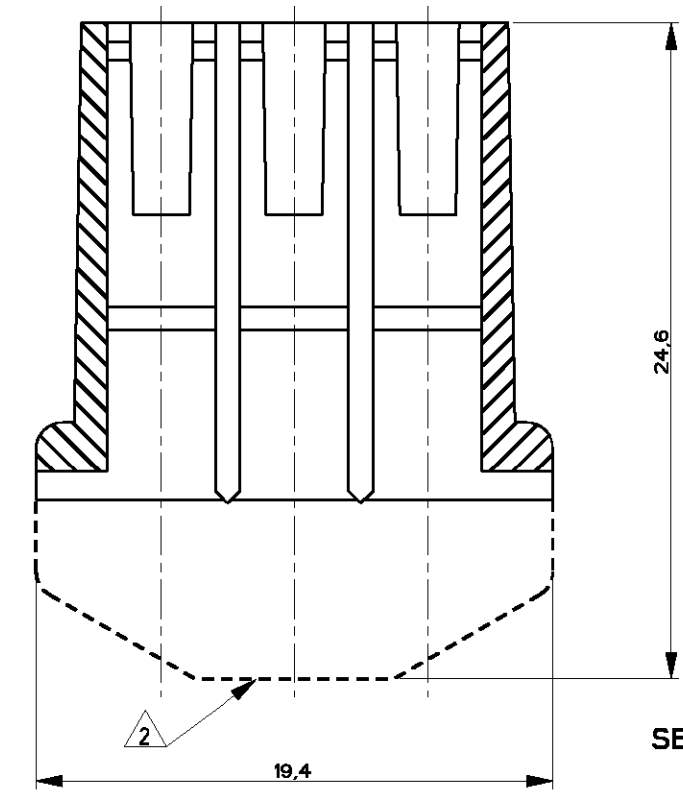
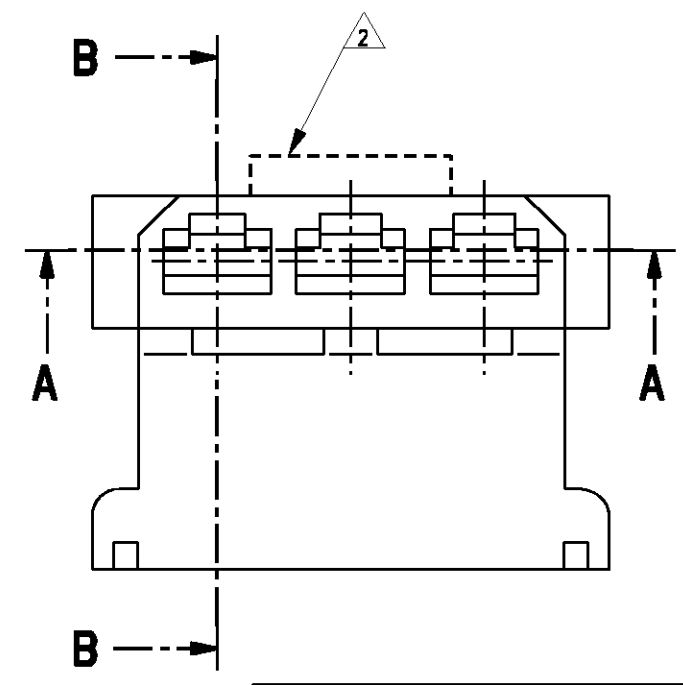
-2 AS SHOWN



3-VIEW FOR -1 ONLY



SECTION B-B



SECTION A-A

BLACK	NYLON UNFILLED	0-188342-2
BLACK	NYLON UNFILLED	0-188342-1
FINISH	MATERIAL	PARTNUMBER

<small>THIS DRAWING IS A CONTROLLED DOCUMENT FOR TYCO ELECTRONICS CORPORATION IT IS SUBJECT TO CHANGE AND THE CONTROLLING ENGINEERING ORGANIZATION SHOULD BE CONTACTED FOR THE LATEST REVISION.</small>		DWN	RvHEUVEN	40CT04		TYCO ELECTRONICS NEDERLAND B.V.	
DIMENSIONS: mm		CHK	-	-		's-HERTOGENBOSCH, THE NETHERLANDS	
		APVD	MvDRIEL	40CT04	NAME 3 POS. FAST-ON HOUSING WITH SECOND LOCKING	RESTRICTED TO	
TOLERANCES UNLESS OTHERWISE SPECIFIED: 0 PLC ± 1 PLC ± 2 PLC ± 3 PLC ± 4 PLC ± ANGLES ±		PRODUCT SPEC	-	-		SIZE	CAGE CODE
MATERIAL - FINISH -		APPLICATION SPEC	-	-	A3	00779	C=188342
CUSTOMER DRAWING		WEIGHT	-	-	SCALE		NTS
				SHEET		1	OF 1
						REV C	