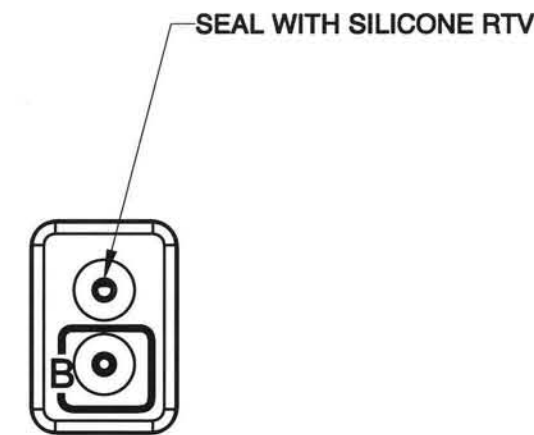
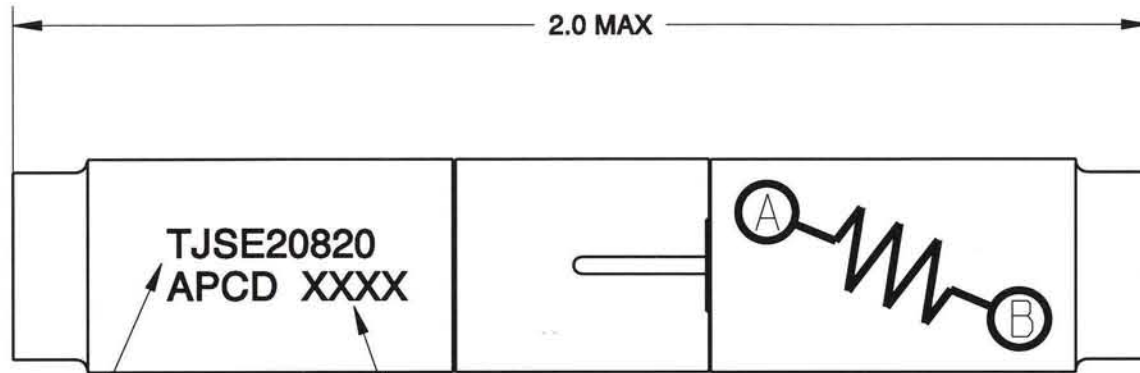
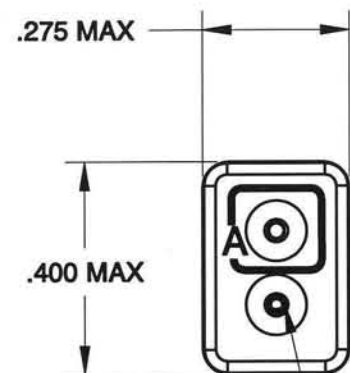


REV	ECN	APP'D
1		05-13-06



WHITE MARKING  
.06 HT

DATE CODE

SEAL WITH SILICONE RTV

NOTES:

1. MATERIALS:  
HOUSING: POLYETHERIMIDE, COLOR BLACK  
GROMMET: SILICONE ELASTOMER, COLOR BLUE  
INTERNAL CONTACT: COPPER ALLOY, GOLD PLATED,  
PER MIL-G-45204, TYPE I, GRADE C, CLASS I.  
CONTACT RETAINER: STAINLESS STEEL
2. SPLICE ACCEPTS (2) MATING M39029/1-101 CONTACTS  
(NOT INCLUDED)
3. PART COMPLIES TO ALL REQUIREMENTS PER MIL-T-81714.
4. RESISTOR: MIL-PRF-39017, 2MΩ, 1/4W ± 1%

DIMENSIONS ANSI Y14.5M UNITS: INCHES Pro/E FILE	TOLERANCES .XX ±0.01 .XXX ±0.005 ANGLES ±2.0°	PROJECTION 	<b>Amphenol Pcd</b> SPECIFICATION DRAWING		TITLE WIRE SPLICE, ELECTRONIC RESISTOR, 2MΩ, 1/4W SIZE 20			
			DRWN D. LANG 05/08/06	SIZE B DWG NO. TJSE20820		REV 1		
ORIGINAL	THIS DOCUMENT CONTAINS PROPRIETARY INFORMATION WHICH IS THE CONFIDENTIAL PROPERTY OF AMPHENOL PCD INC., PEABODY, MA		ENGR	APP'D  5-23-06		CODE: 58982	SCALE: 3:1	SHEET 1 OF 1

TJSE20820

TJSE20820