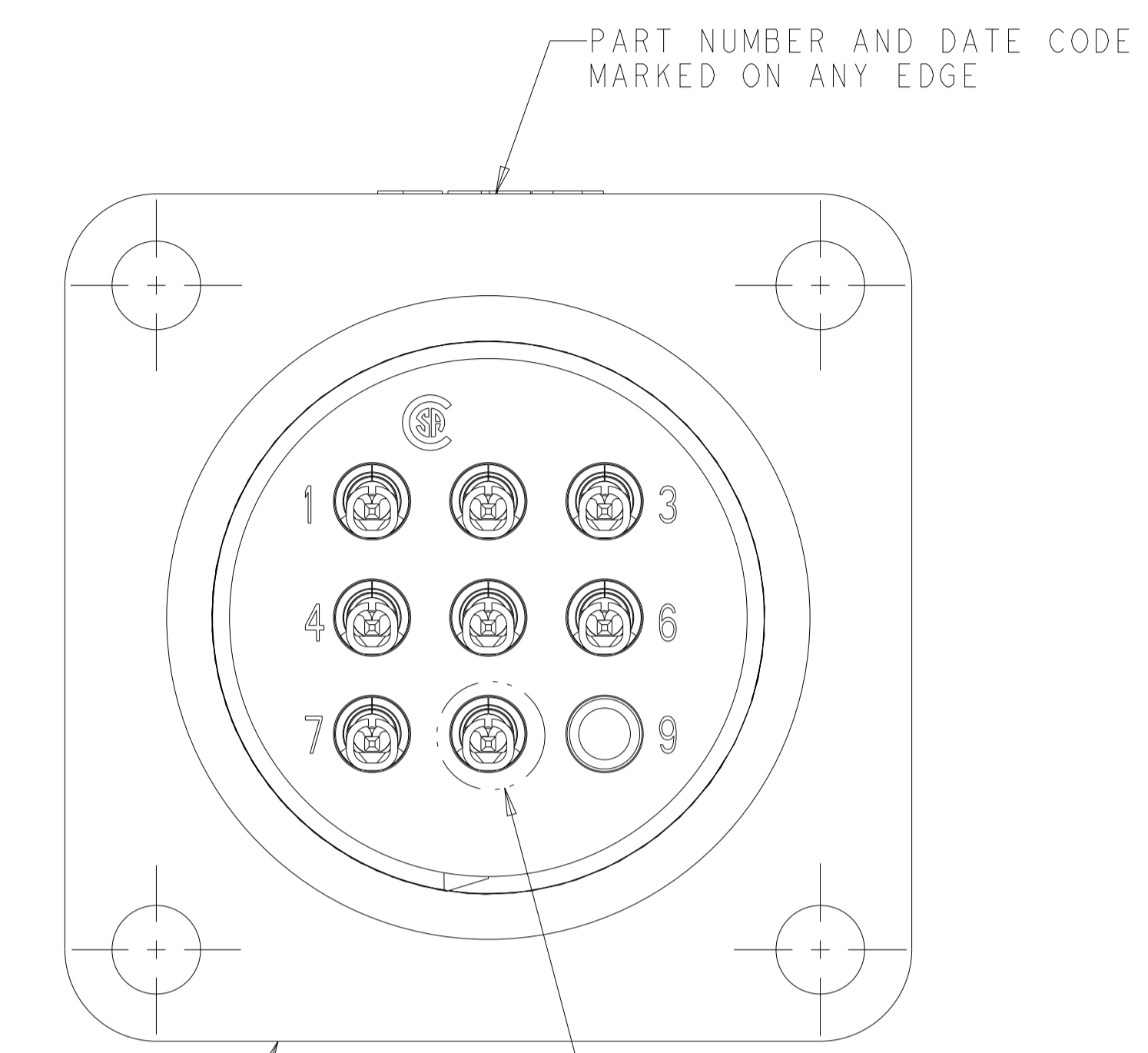
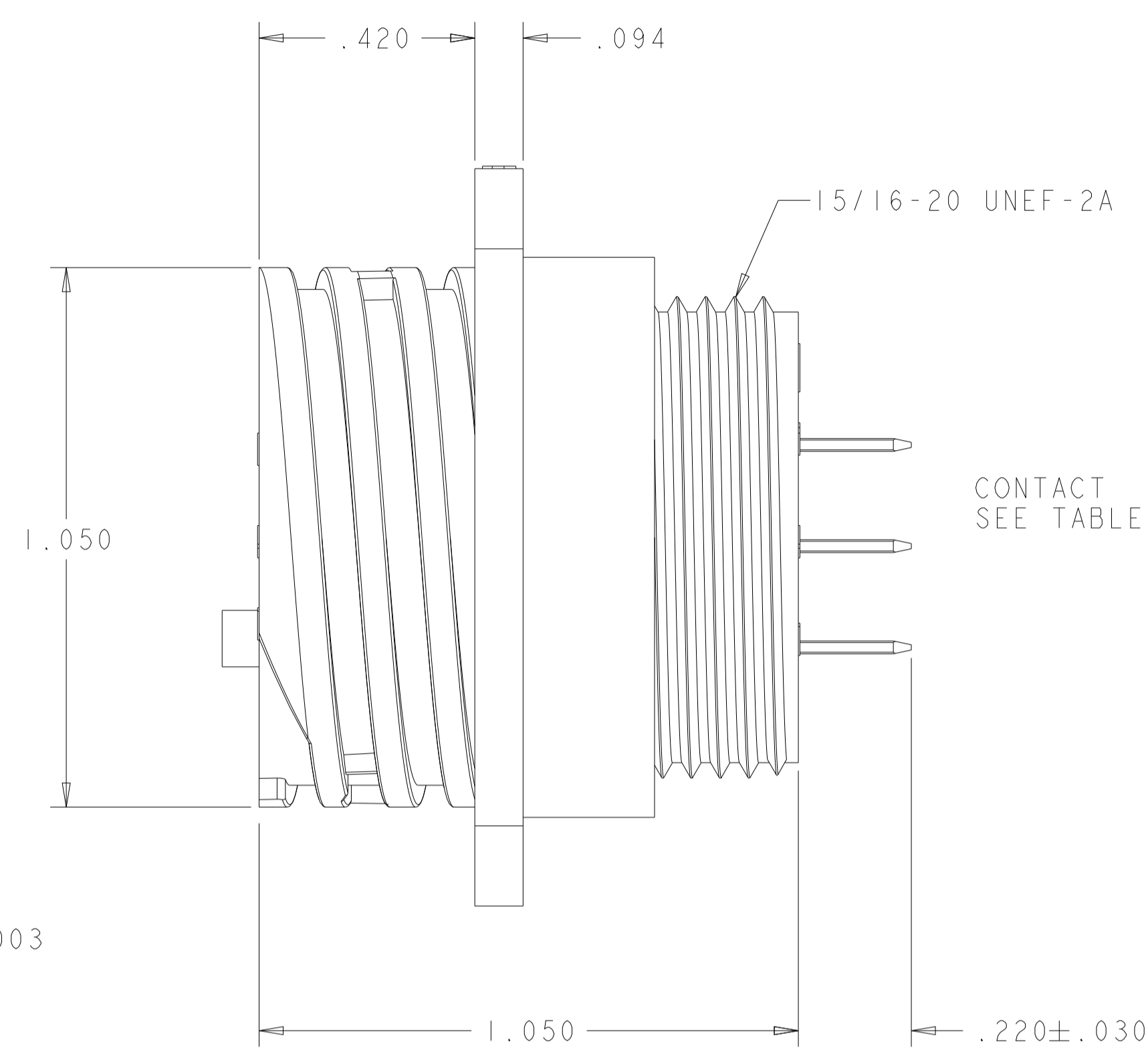
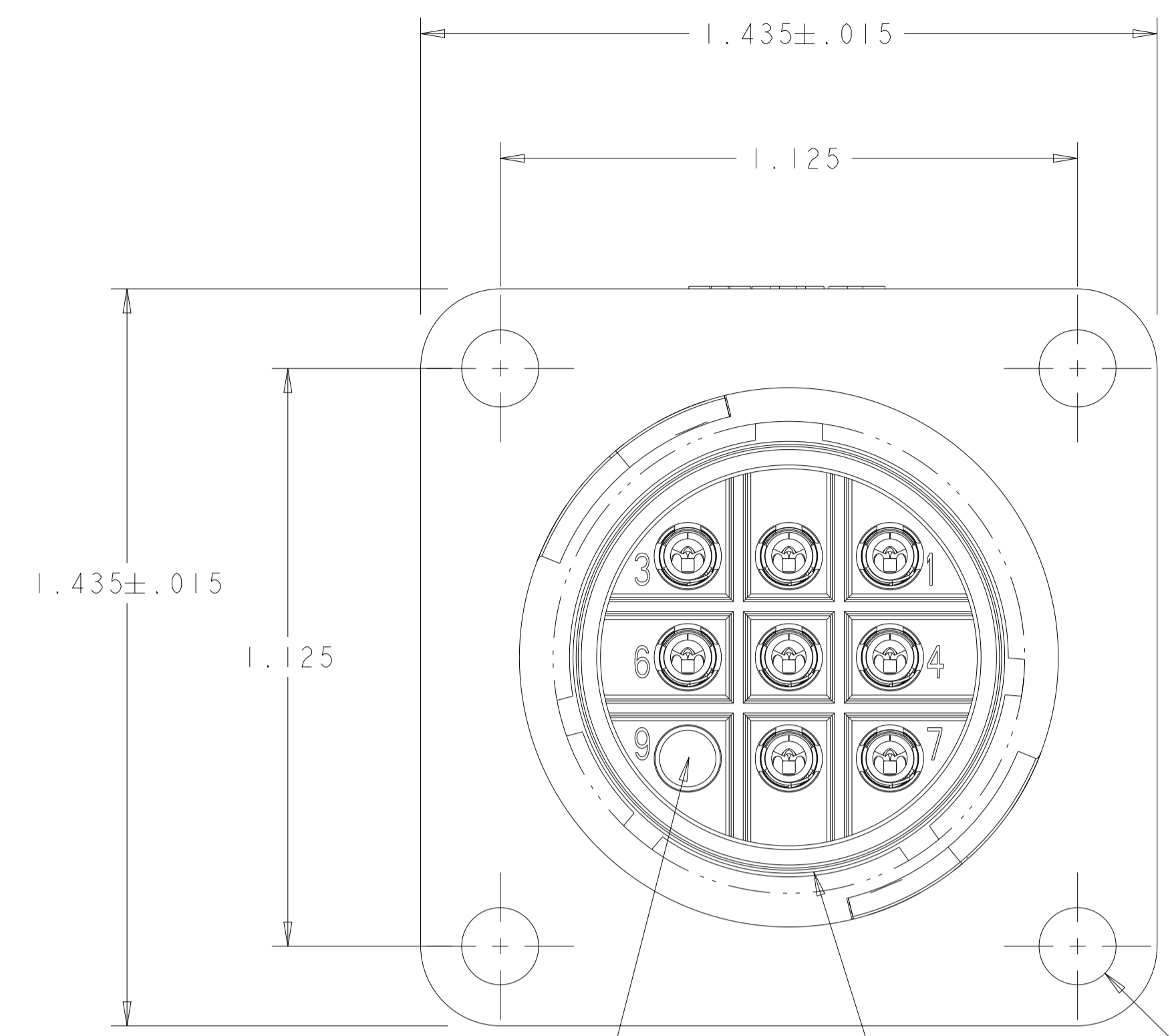
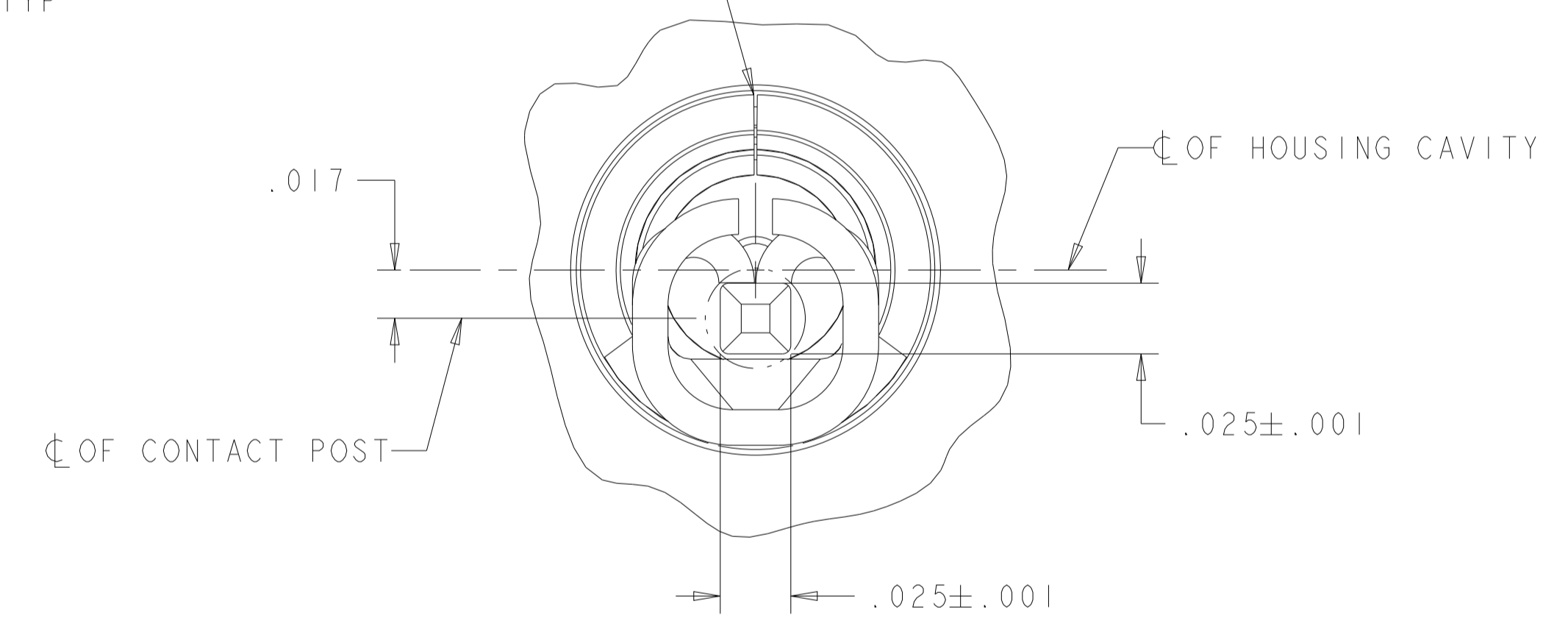


REVISIONS				
P	LTN	DESCRIPTION	DATE	OWN APVD
R2		REVISED PER ECR-22-150475	29AUG2022	RK MZ

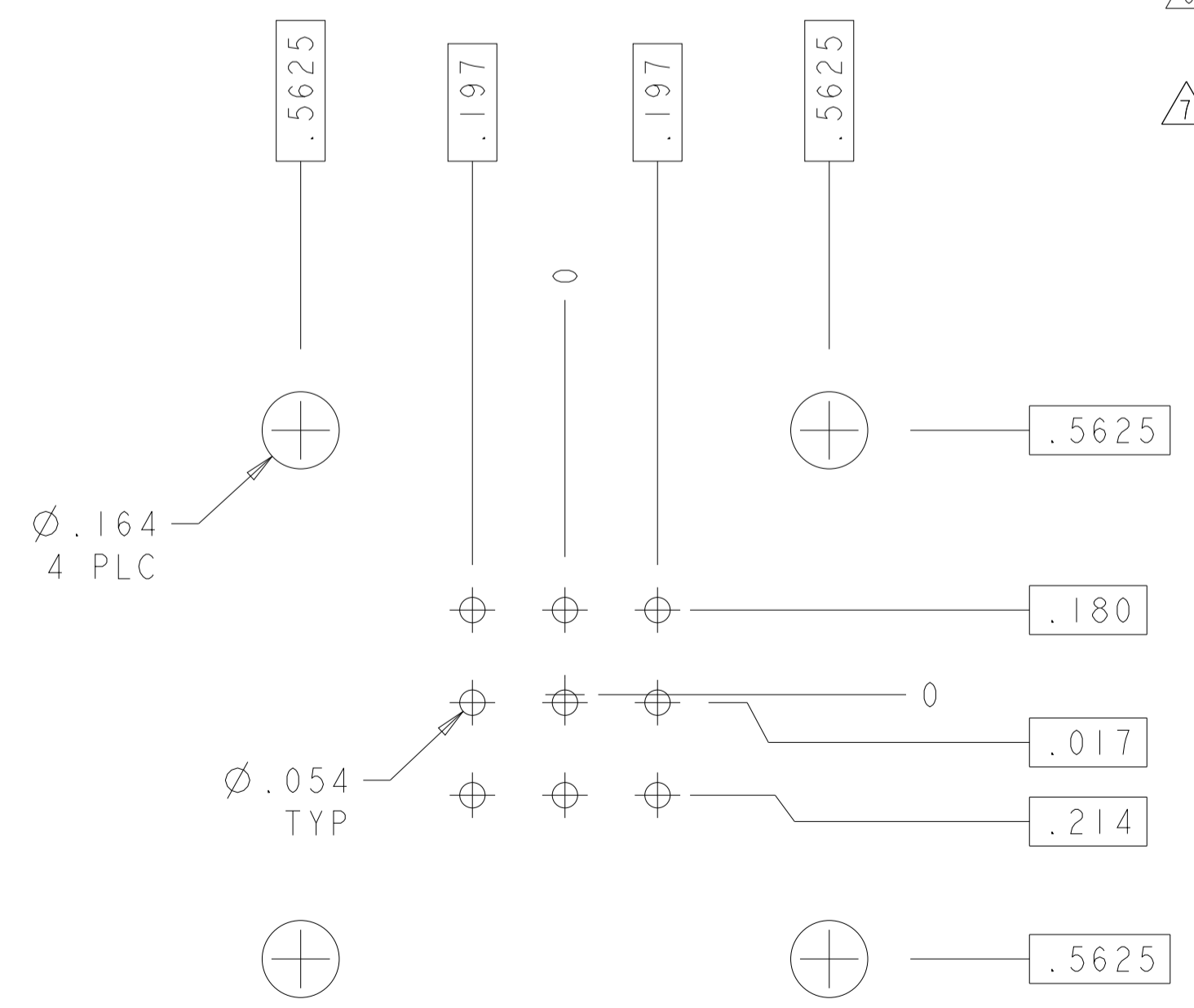


KEYING PLUG SEE TABLE
 PERIPHERAL SEAL
 Ø .150±.003
 4 PLC

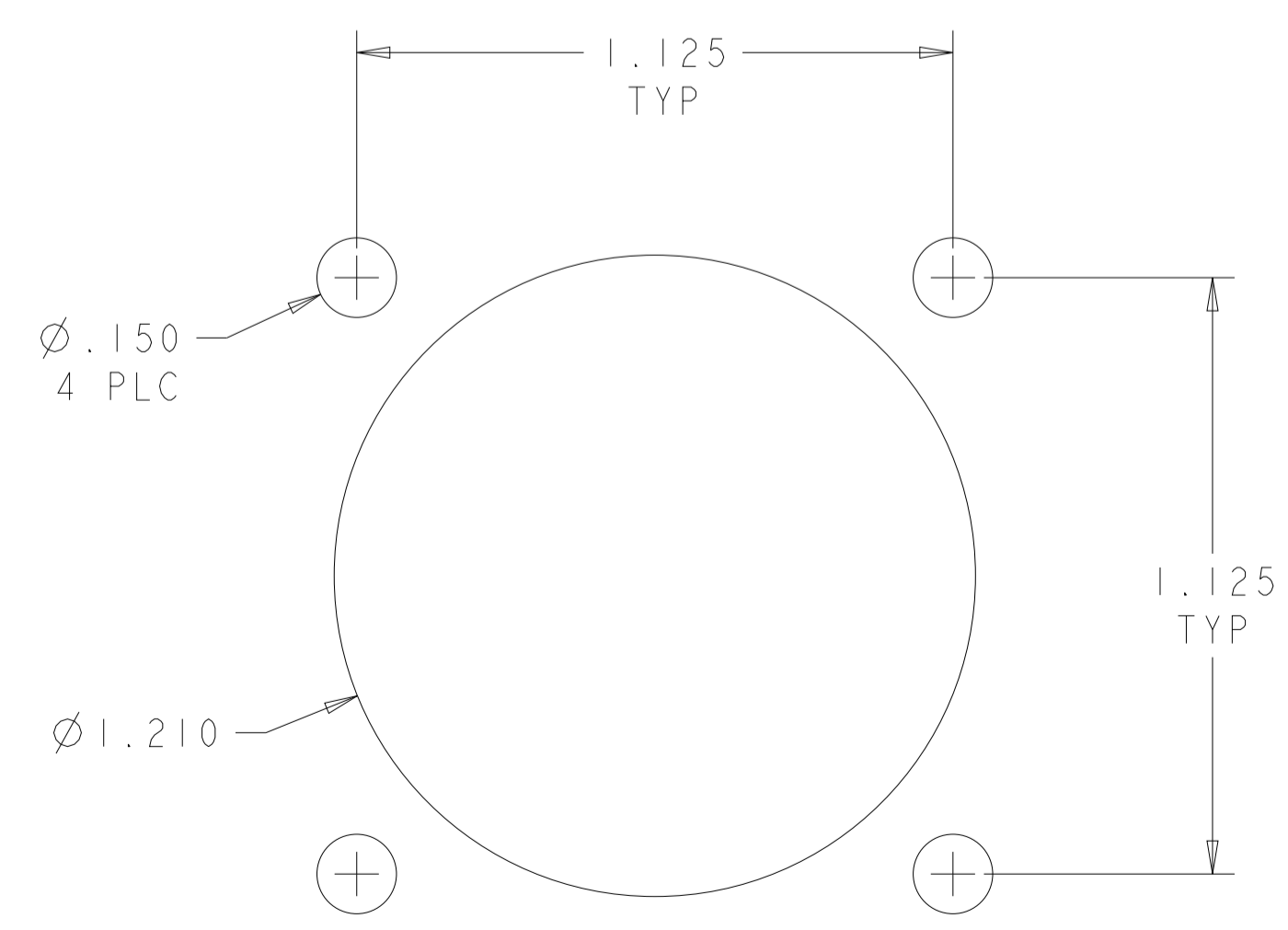
- △ HOUSING: NYLON, UL 94 V-0 RATED, BLACK.
- △ CONTACT:
 BODY - BRASS, .000100 MIN TIN-LEAD OVER .000050 MIN NICKEL.
 POST - BRASS, .000100 MIN TIN-LEAD OVER .000050 MIN NICKEL.
- △ CONTACT:
 BODY - BRASS, .000100 MIN TIN OVER .000050 MIN NICKEL.
 POST - BRASS, .000100 MIN TIN OVER .000050 MIN NICKEL.
- △ PERIPHERAL SEAL: ELASTOMER, BLACK.
- △ KEYING PLUG: NYLON, NATURAL.
- △ .009 MAXIMUM CONTACT LEAD-IN SEAM GAP PERMISSIBLE ON MATING FACE END.
- △ OBSOLETE PARTS



DETAIL V
 SCALE 20:1



RECOMMENDED PC BOARD LAYOUT
 SCALE 3:1



RECOMMENDED PANEL LAYOUT
 .125 MAX PANEL THICKNESS
 SCALE 3:1

△	POSN 9	YES	△	8	1-8	1-213826-3
△	-	YES	△	8	1-5, 7-9	1-213826-2
	-	YES	△	9	ALL	1-213826-1
	POSN 9	YES	△	8	1-8	1-213826-0
	-	YES	△	8	1-5, 7-9	213826-9
△	POSN 9	YES	△	8	1-8	213826-8
△	-	YES	△	8	1-5, 7-9	213826-7
△	POSN 9	YES	△	8	1-8	213826-3
△	-	YES	△	8	1-5, 7-9	213826-2
△	-	YES	△	9	ALL	213826-1
	KEYING PLUG					
	PERIPHERAL SEAL					
			FINISH	QTY	SELECT LOAD IN POSITIONS	PART NUMBER

THIS DRAWING IS A CONTROLLED DOCUMENT.

OWN: S. WELDON 23MAY2003
 CHK: S. HEADER 23MAY2003
 APVD: S. HEADER 23MAY2003

DIMENSIONS: INCHES
 TOLERANCES UNLESS OTHERWISE SPECIFIED:
 0 PLC ±.0
 2 PLC ±.00
 3 PLC ±.010
 4 PLC ±.0000
 ANGLES ±.0000

MATERIAL: -
 FINISH: -

NAME: RECEPTACLE ASSEMBLY, POSTED, REVERSE SEX, SERIES 1, 17-9, CPC
 PRODUCT SPEC: 108-10024
 APPLICATION SPEC: 114-10004

SIZE: 114-10004
 WEIGHT: -
 CUSTOMER DRAWING

SCALE: 4:1
 SHEET: 1 OF 1
 REV: R2