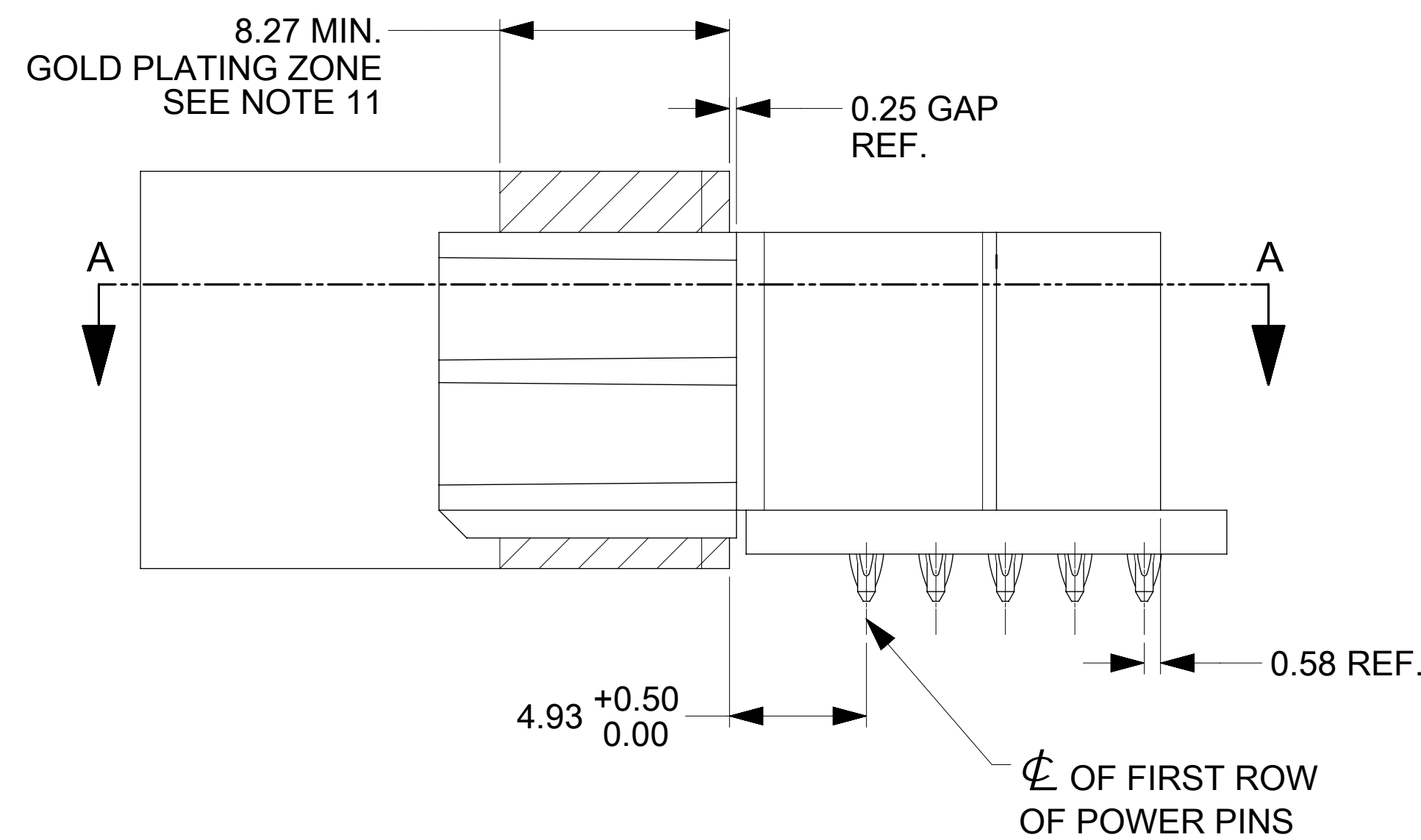


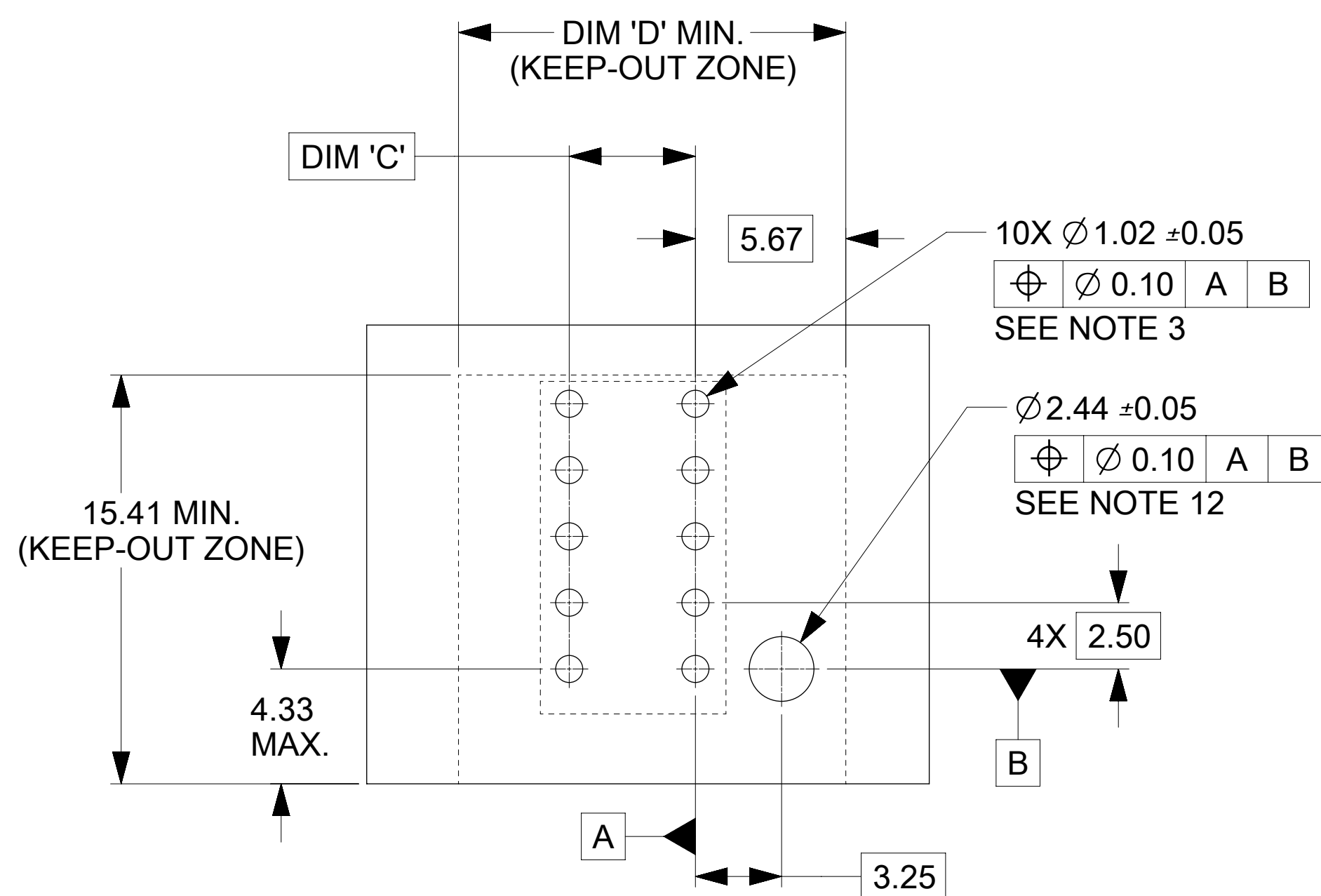
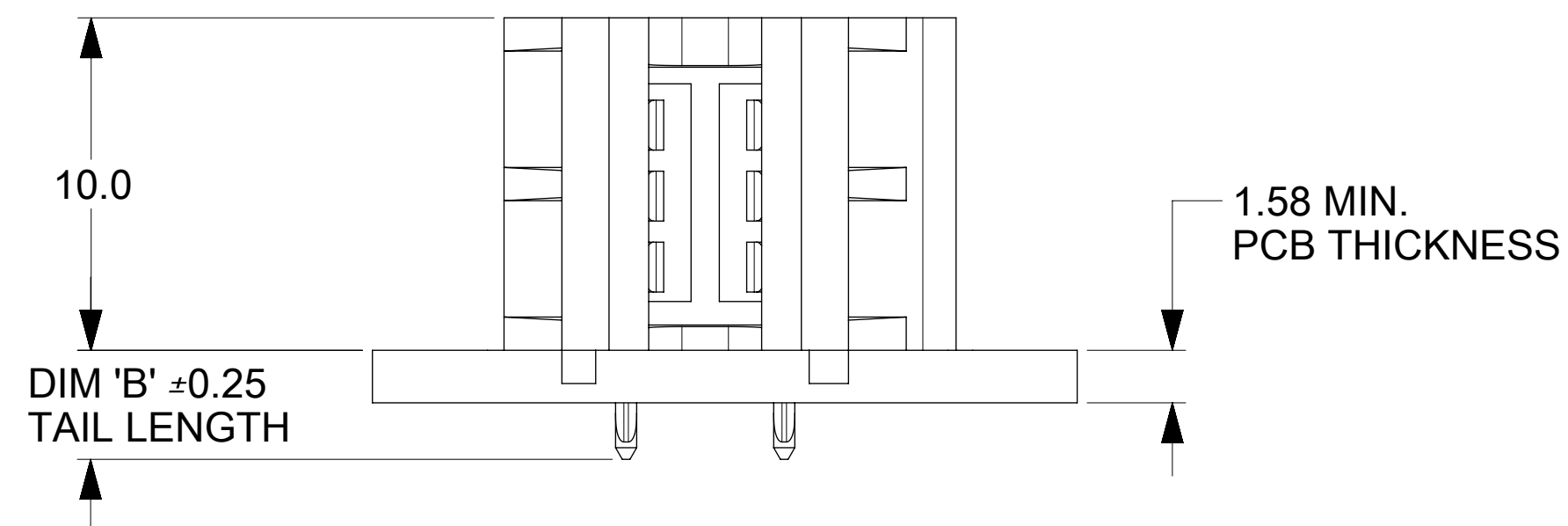
SECTION A-A



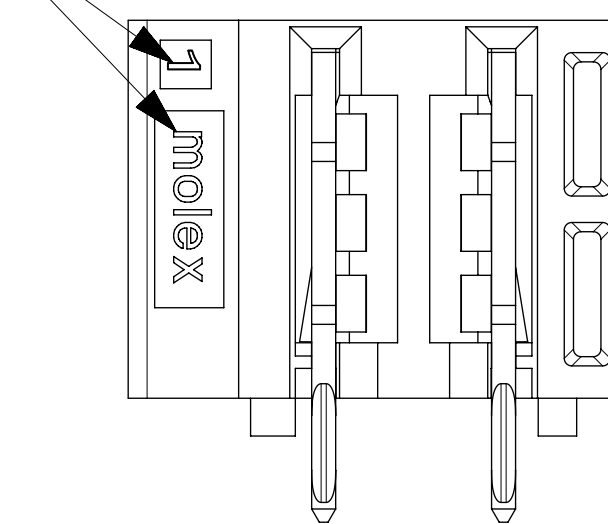
MATED PROFILE

NOTES:

- MATERIAL:
 - HOUSINGS: LCP UL94 V-0, COLOR: BLACK.
 - TERMINALS: COPPER ALLOY.
 - PLATING: 1.27 MICROMETER (50 MICROINCH) NICKEL OVERALL WITH:
2.54 MICROMETER (100 MICROINCH) SELECTIVE TIN ON TAILS AND
0.762 MICROMETER (30 MICROINCH) SELECTIVE GOLD ON CONTACT AREA
- PACKAGING: ASSEMBLIES TO BE TRAY PACKED PER PACKAGING SPEC: 1737080000-PK.
- PLATED THRU HOLE SIZE, REFER TO 173708-0000-PS FOR DETAILS.
- PRODUCT SPEC: 173708-0000-PS.
- PRODUCT TO MEET RoHS REQUIREMENTS.
- ASSEMBLY MATES WITH BUS BAR, SEE CHART FOR THICKNESS.
- TAIL DESIGN: SEE CHART.
- POWER CONTACTS ARE LUBRICATED.
- APPLICATION SPEC: AS-46436-100.
- MOLEX LOGO AND CAVITY ID TO BE LOCATED APPROXIMATELY AS SHOWN.
- BUSBAR MUST HAVE GOLD OVER NICKEL PLATING IN MATING ZONE, MOLEX RECOMMENDS GOLD PLATING BE COATED WITH AN ENVIRONMENTAL BARRIER
- DESIGNED FOR USE WITH #2-32 TYPE AB SELF TAPPING SCREW, RECOMMENDED TORQUE: .37 N-m MAX. TORQUE SCREWS ARE NOT SUPPLIED WITH THE CONNECTOR.
- PART NUMBER AND DATE CODE IN APPROX. LOCATION AS SHOWN.



SEE NOTE 10

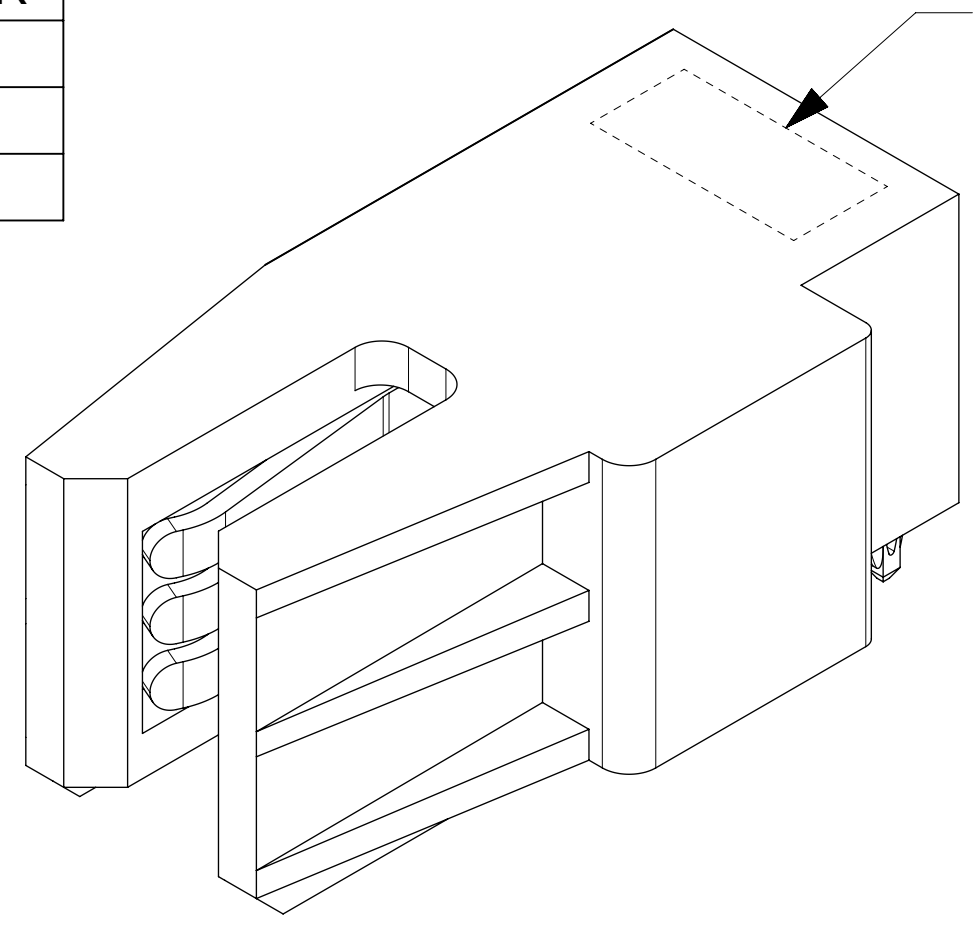


PART NUMBER	DIM 'A'	DIM 'B'	DIM 'C'	DIM 'D'	DIM 'E' BUS BAR THICKNESS	DIM 'F'	TAIL TYP.
173708-0001	13.61	3.28	4.76	14.61	3.00	2.38	PRESS-FIT
173708-0002	13.79	3.28	4.94	14.79	3.18	2.47	
173708-0003	16.71	3.28	7.86	17.71	6.10	2.38	SOLDERTAIL (.062" PCB)
173708-0004	13.61	2.84	4.76	14.61	3.00	2.38	
173708-0005	13.79	2.84	4.94	14.79	3.18	2.47	SOLDERTAIL (.093" PCB)
173708-0006	16.71	2.84	7.86	17.71	6.10	2.38	
173708-0007	13.61	3.63	4.76	14.61	3.00	2.38	SOLDERTAIL (.093" PCB)
173708-0008	13.79	3.63	4.94	14.79	3.18	2.47	
173708-0009	16.71	3.63	7.86	17.71	6.10	2.38	

THIS DRAWING CONTAINS INFORMATION THAT IS PROPRIETARY TO MOLEX ELECTRONIC TECHNOLOGIES, LLC AND SHOULD NOT BE USED WITHOUT WRITTEN PERMISSION

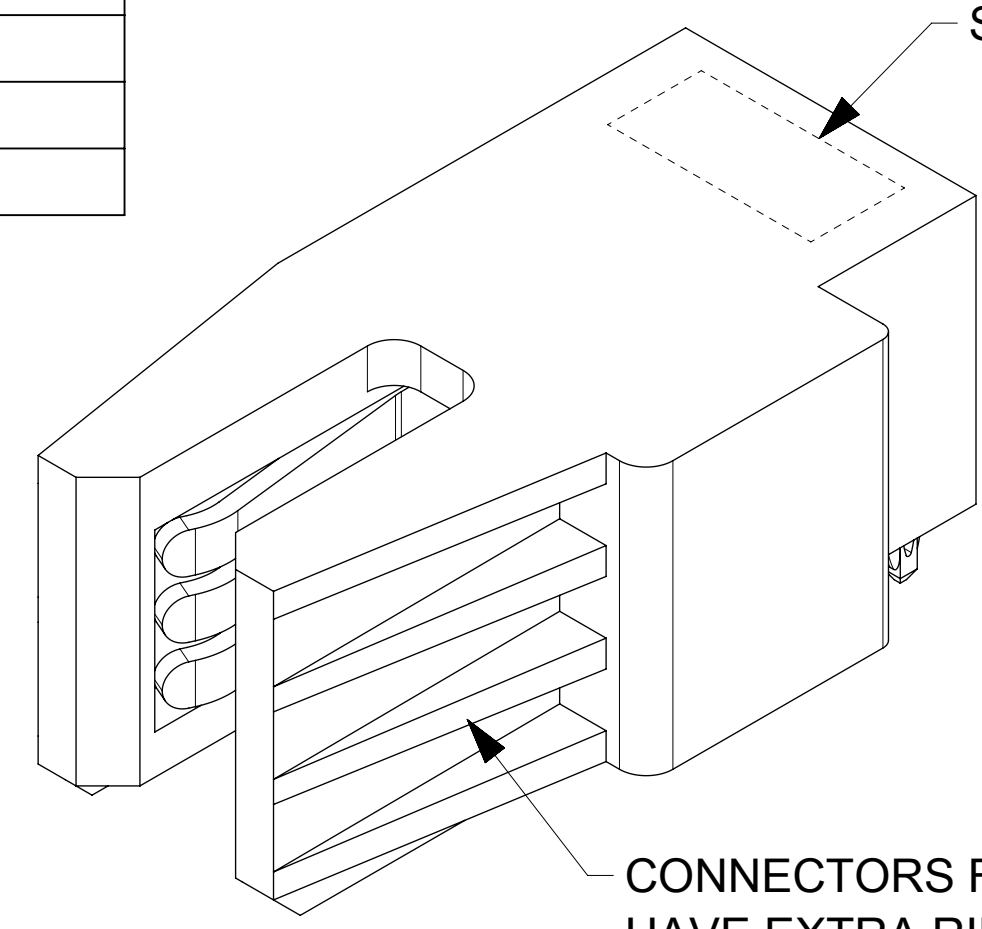
DIMENSION UNITS mm	SCALE 5:1	CURRENT REV DESC: PRODUCTION RELEASE	molex		
GENERAL TOLERANCES (UNLESS SPECIFIED)		EC NO: 606919			
ANGULAR TOL ± 0.5°	4 PLACES ±	DRWN: GHP 2018/10/31	PRODUCT CUSTOMER DRAWING		
3 PLACES ±	2 PLACES ± 0.13	CHK'D: YVENKATESWAR 2018/10/31	DOCUMENT NUMBER		
1 PLACE ± 0.25	0 PLACES ±	APPR: ISHWARG 2018/10/31	DOC TYPE DOC PART REVISION		
DRAFT WHERE APPLICABLE MUST REMAIN WITHIN DIMENSIONS		INITIAL REVISION: DRWN: LZABJANOVSKI 2016/09/08 APPR: JCOMERCI 2016/10/24	1737080000		
THIRD ANGLE PROJECTION		DRAWING D-SIZE	PSD 000 A4		
SERIES 173708		MATERIAL NUMBER SEE CHART		SHEET NUMBER 1 OF 2	

MATES TO 3.00mm BUS BAR	
173708-0001	
173708-0004	
173708-0007	



SEE NOTE 13

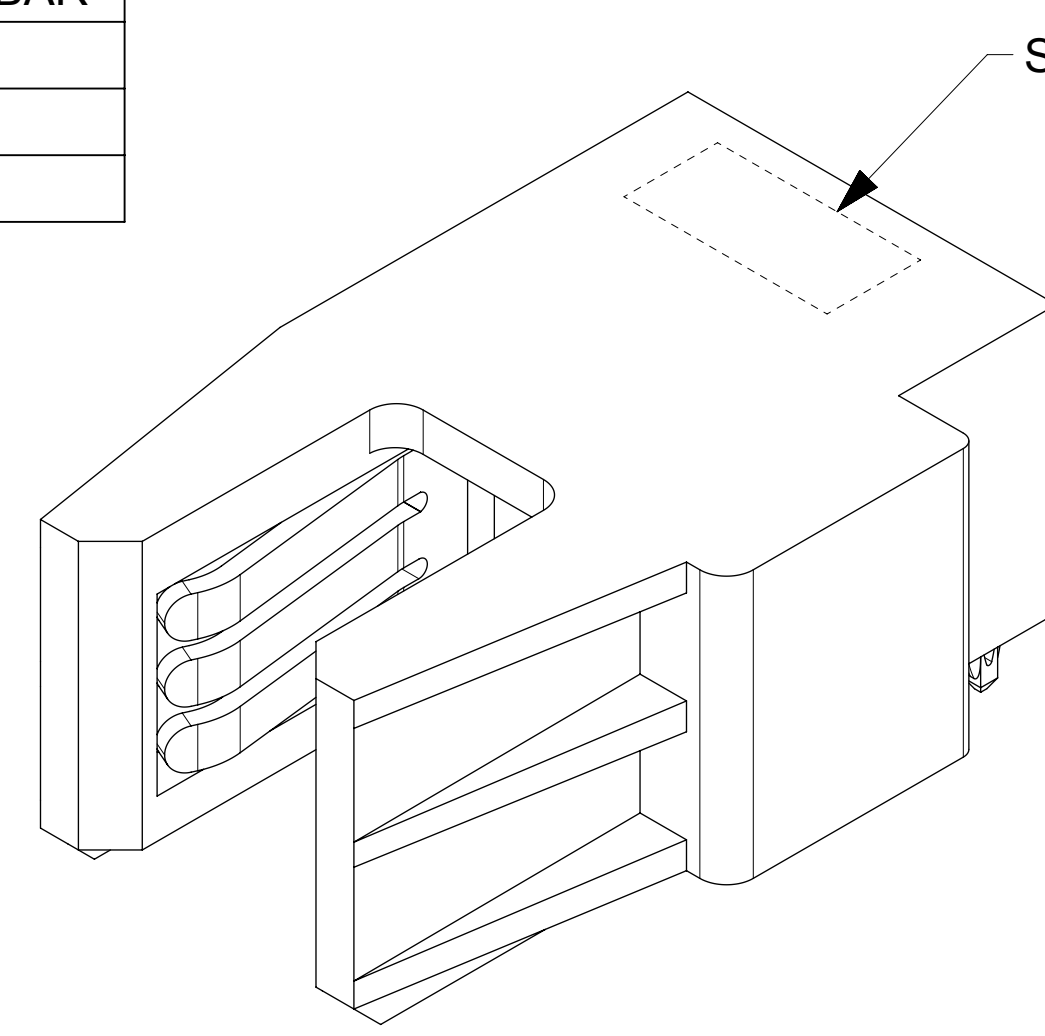
MATES TO 3.18mm BUS BAR	
173708-0002	
173708-0005	
173708-0008	



SEE NOTE 13

CONNECTORS FOR 3.18mm BUS BARS
HAVE EXTRA RIB FOR IDENTIFICATION

MATES TO 6.10mm BUS BAR	
173708-0003	
173708-0006	
173708-0009	



SEE NOTE 13

THIS DRAWING CONTAINS INFORMATION THAT IS PROPRIETARY TO MOLEX ELECTRONIC TECHNOLOGIES, LLC AND SHOULD NOT BE USED WITHOUT WRITTEN PERMISSION											
DIMENSION UNITS mm		SCALE 5:1		CURRENT REV DESC: PRODUCTION RELEASE				molex			
GENERAL TOLERANCES (UNLESS SPECIFIED)						EC NO: 606919					
ANGULAR TOL ± 0.5°		4 PLACES ±		3 PLACES ±		2 PLACES ± 0.13		1 PLACE ± 0.25		0 PLACES ±	
DRAFT WHERE APPLICABLE MUST REMAIN WITHIN DIMENSIONS		THIRD ANGLE PROJECTION		DRAWING D-SIZE		SERIES 173708		DOCUMENT NUMBER 1737080000		DOC TYPE DOC PART REVISION PSD 000 A4	
DOCUMENT STATUS P1		RELEASE DATE 2018/10/31 12:50:34		INITIAL REVISION: DRWN: LZABJANOVSKI 2016/09/08 APPR: JCOMERCI 2016/10/24		PRODUCT CUSTOMER DRAWING		MATERIAL NUMBER SEE CHART		CUSTOMER SHEET NUMBER 2 OF 2	