

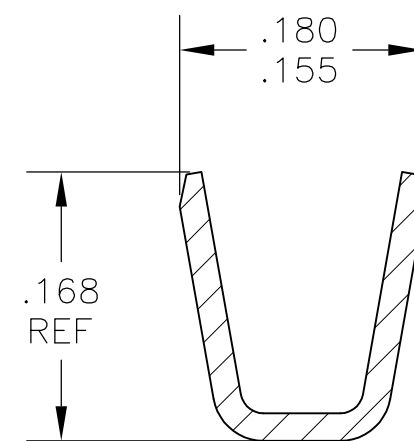
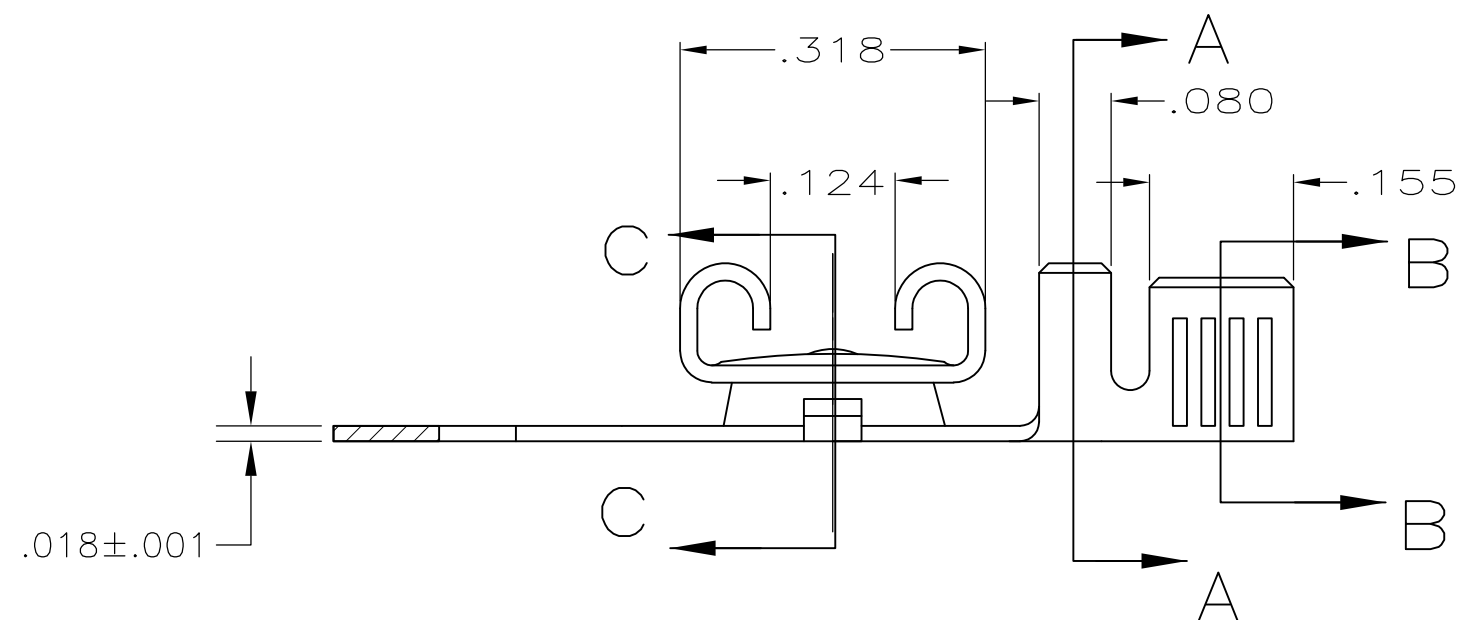
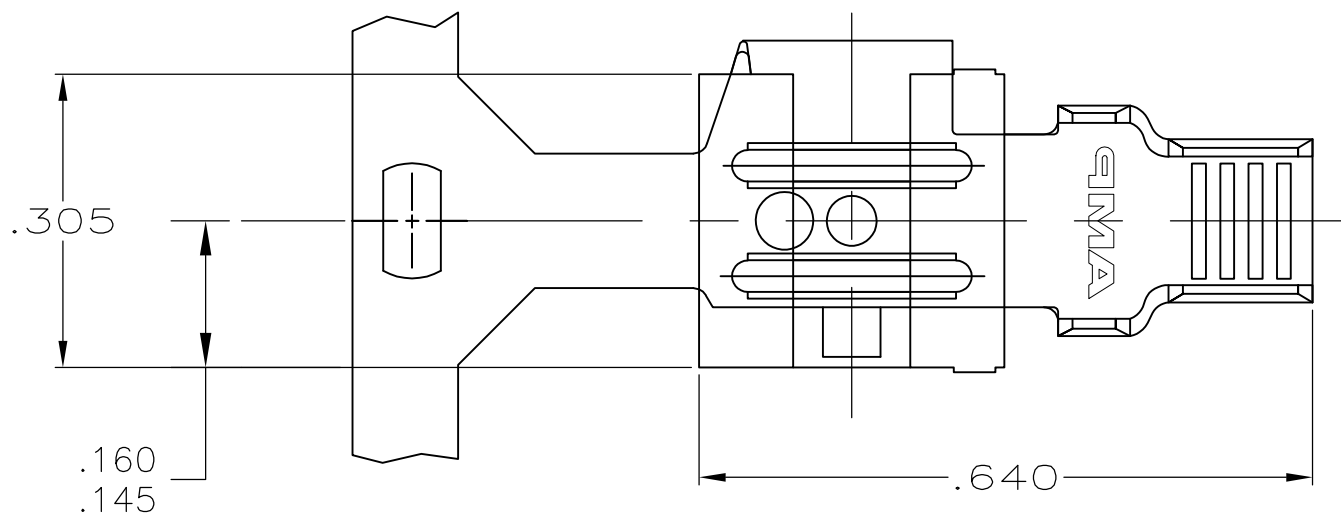
THIS DRAWING IS UNPUBLISHED.

RELEASED FOR PUBLICATION

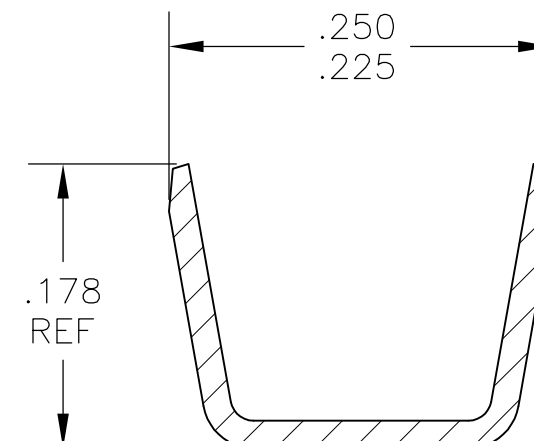
ALL RIGHTS RESERVED.

© COPYRIGHT - By -

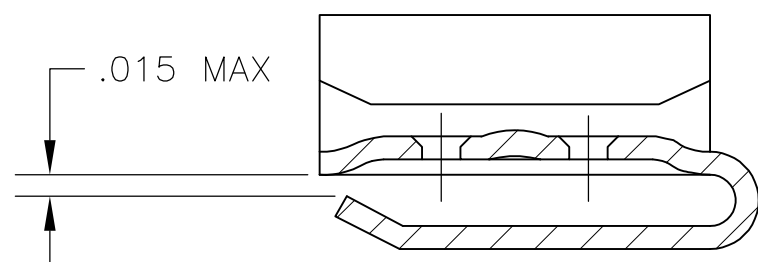
LOC	DIST	REVISIONS					
AF	50	P	LTR	DESCRIPTION	DATE	DWN	APVD
		C		REVISED PER ECR-12-013518	26NOV2012	KH	PD



SECTION B-B  
SCALE 8:1



SECTION A-A  
SCALE 8:1



SECTION C-C  
SCALE 8:1

- 1 CONTINUOUS STRIP ON REELS
- 2 WIRE SIZE IS 16-12 AWG
- 3 MATING TAB THK IS .032±.001
- 4 INSULATION RANGE IS .130-.170 DIA.

1217911-1

PART NO

THIS DRAWING IS A CONTROLLED DOCUMENT.		DWN	JR RUTH	18DEC02	<b>STE</b> TE Connectivity					
DIMENSIONS: INCHES		CHK	P DESANTIS	18DEC02						
TOLERANCES UNLESS OTHERWISE SPECIFIED:		APVD	P DESANTIS	18DEC02	NAME RECEPTACLE, FASTON, FLAG, REVERSIBLE, .250 SERIES					
0 PLC	± -	PRODUCT SPEC		APPLICATION SPEC		SIZE	CAGE CODE	DRAWING NO	RESTRICTED TO	
1 PLC	± -	-		114-2032		A3	00779	C-1217911	-	
2 PLC	± -	MATERIAL		WEIGHT		CUSTOMER DRAWING		SCALE	SHEET	REV
3 PLC	± .010	BRASS		-		5:1		1 OF 1	C	
4 PLC	± -	FINISH		-		-		-		
ANGLES	± -									