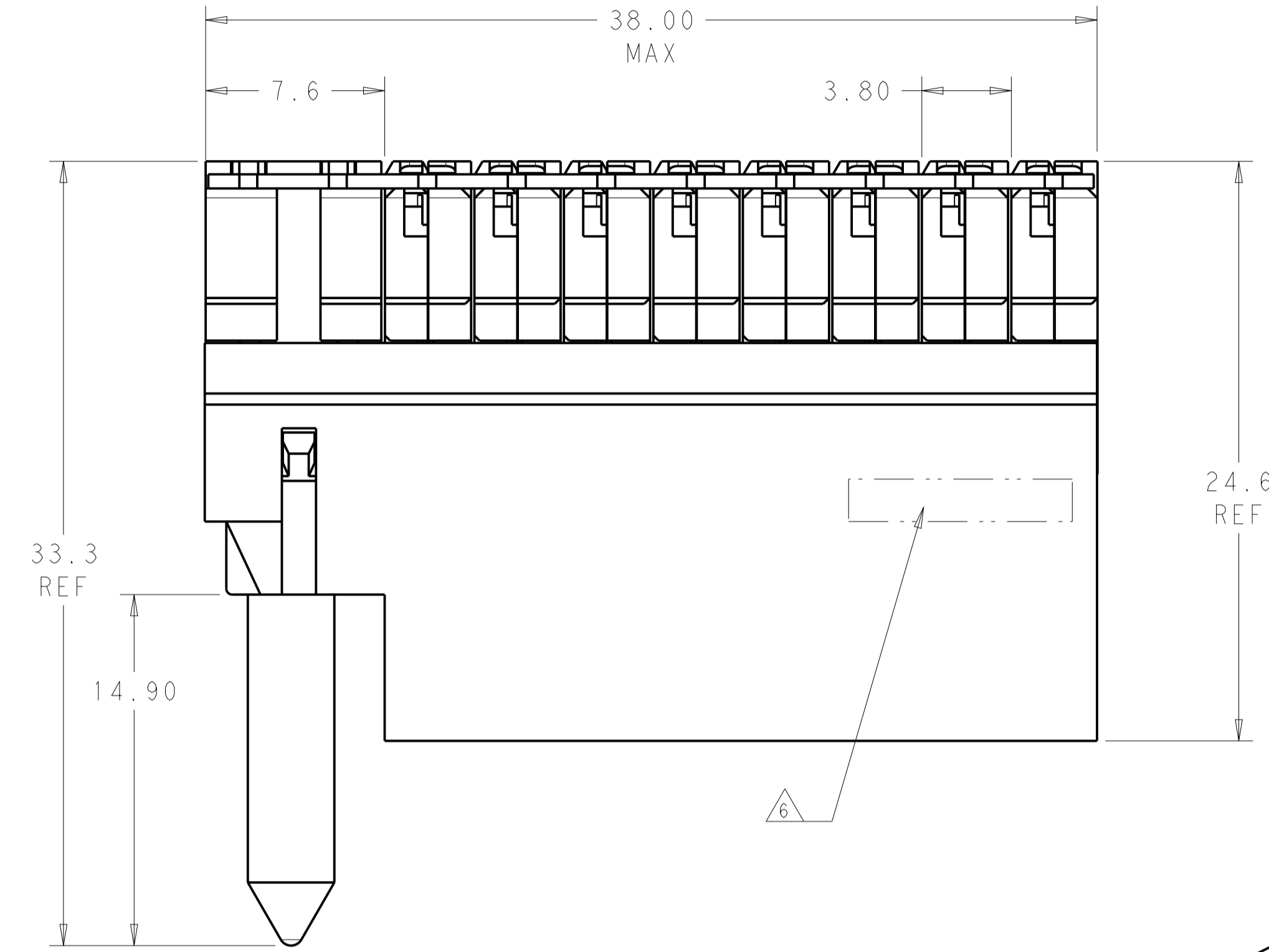
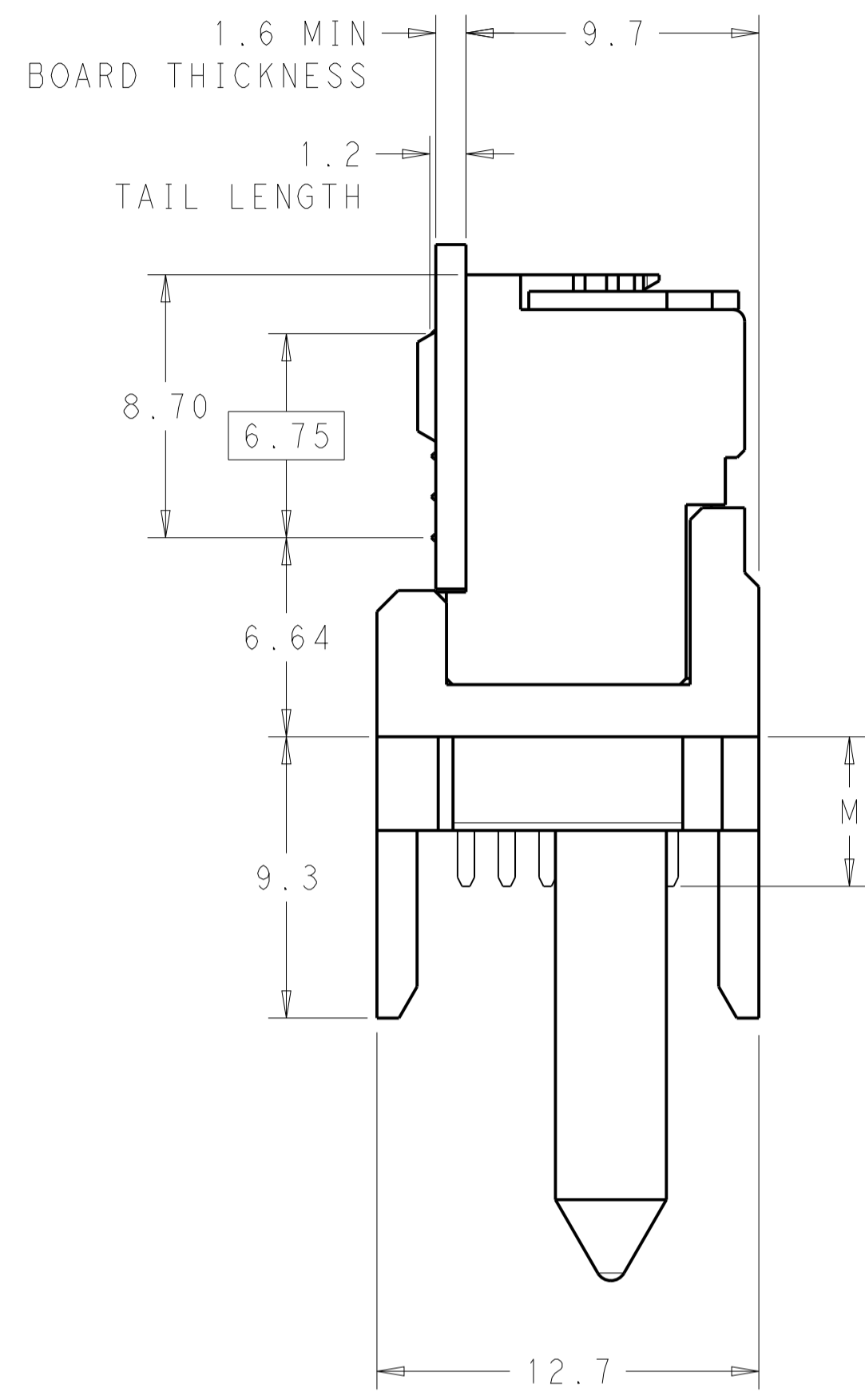
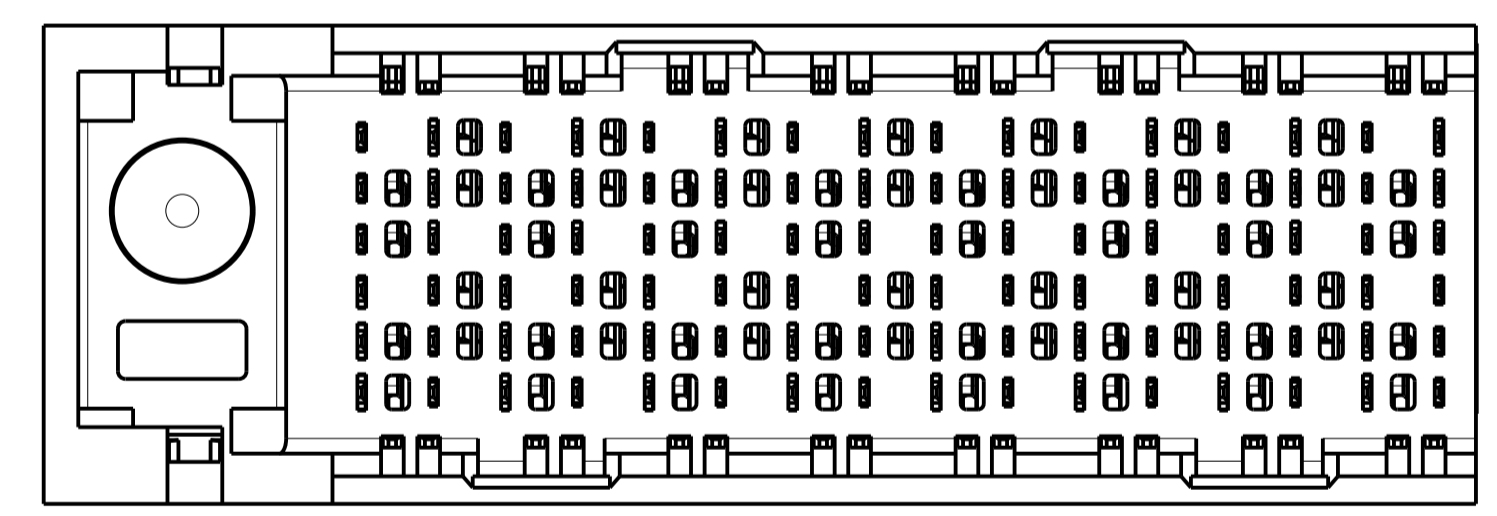
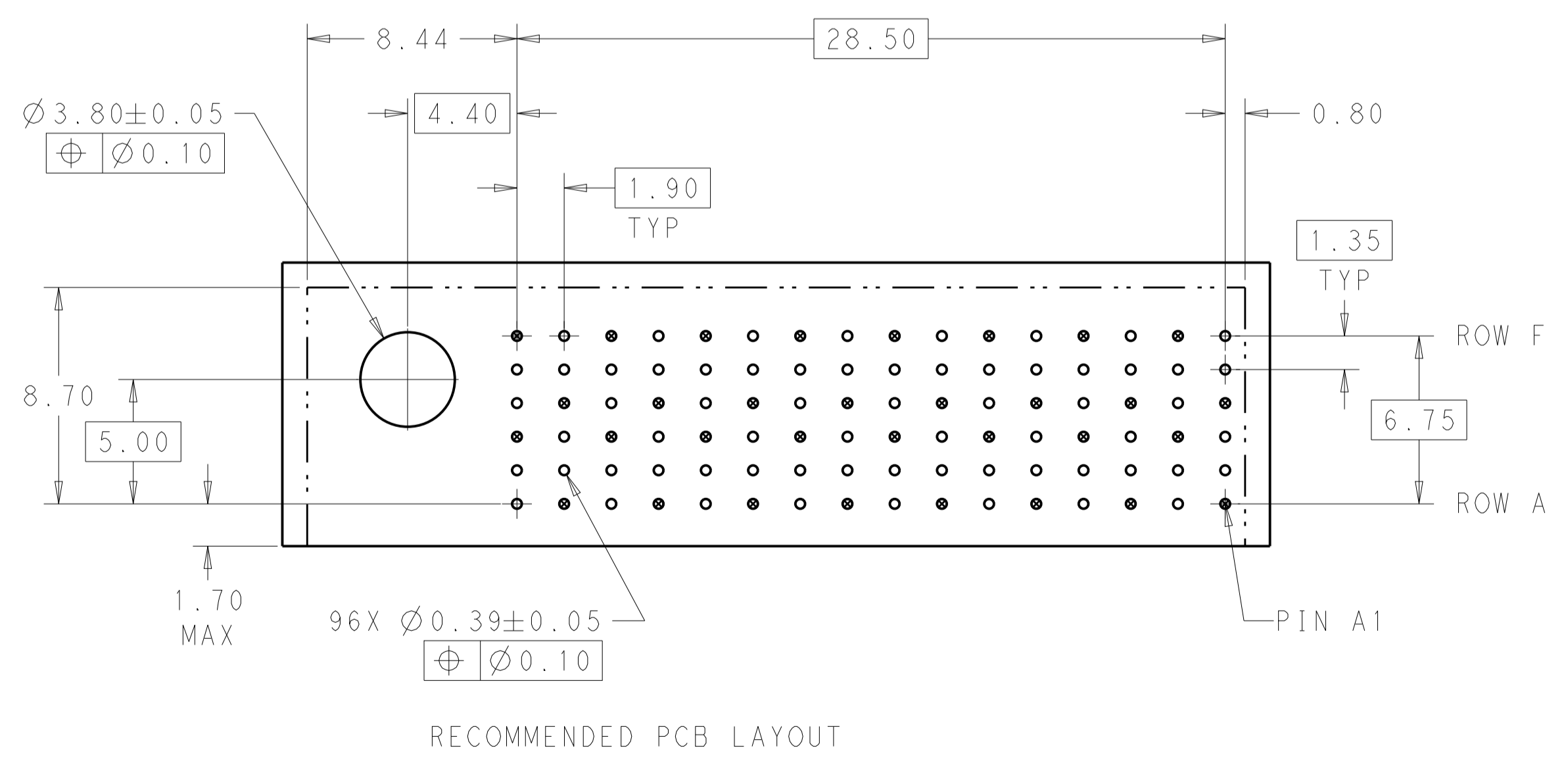
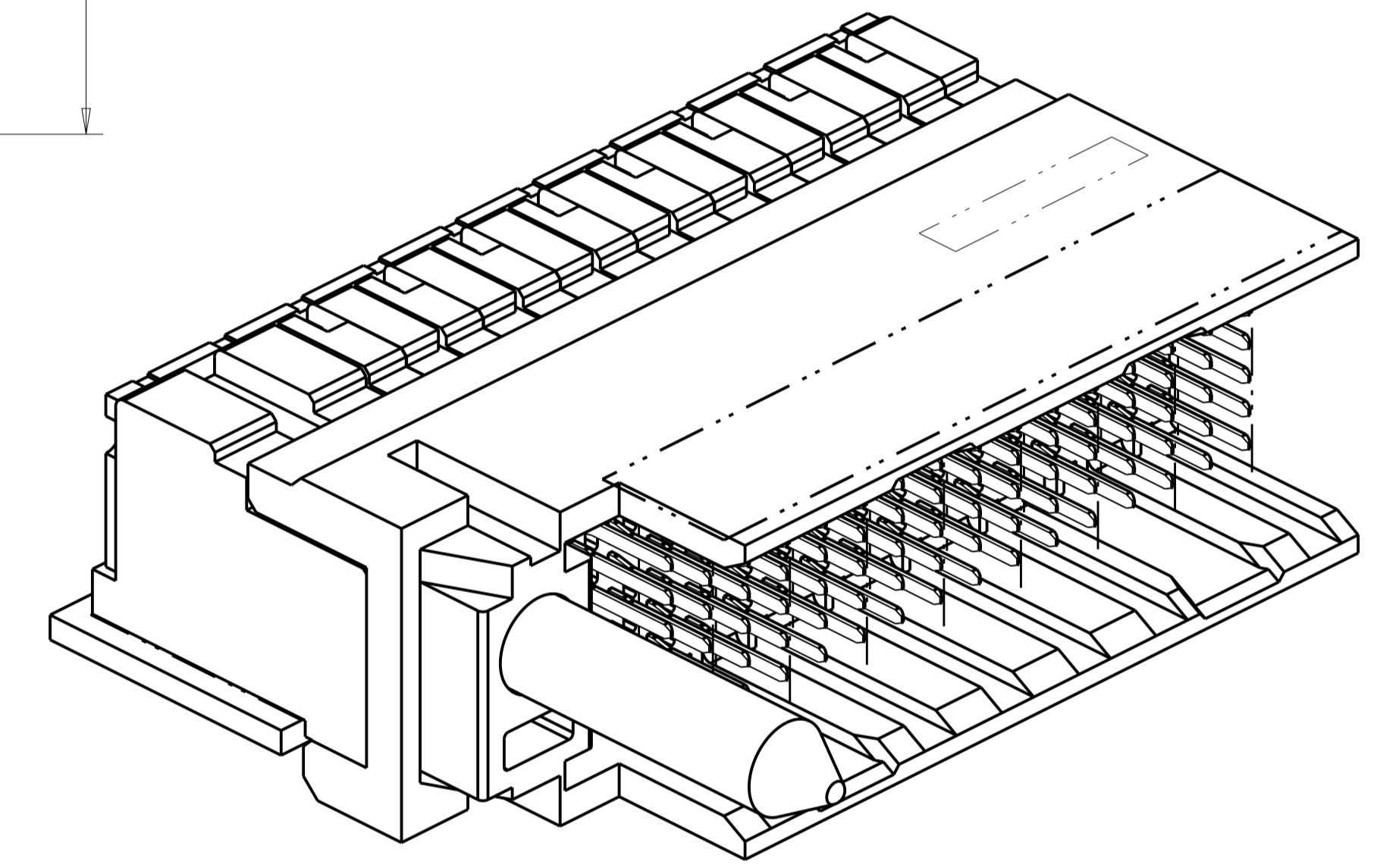


LOC		DIST		REVISIONS			
AD	00	P	LTN	DESCRIPTION	DATE	DWN	APVD
		C		REVISED PER ECO-14-005775	22APR2014	AP	DD

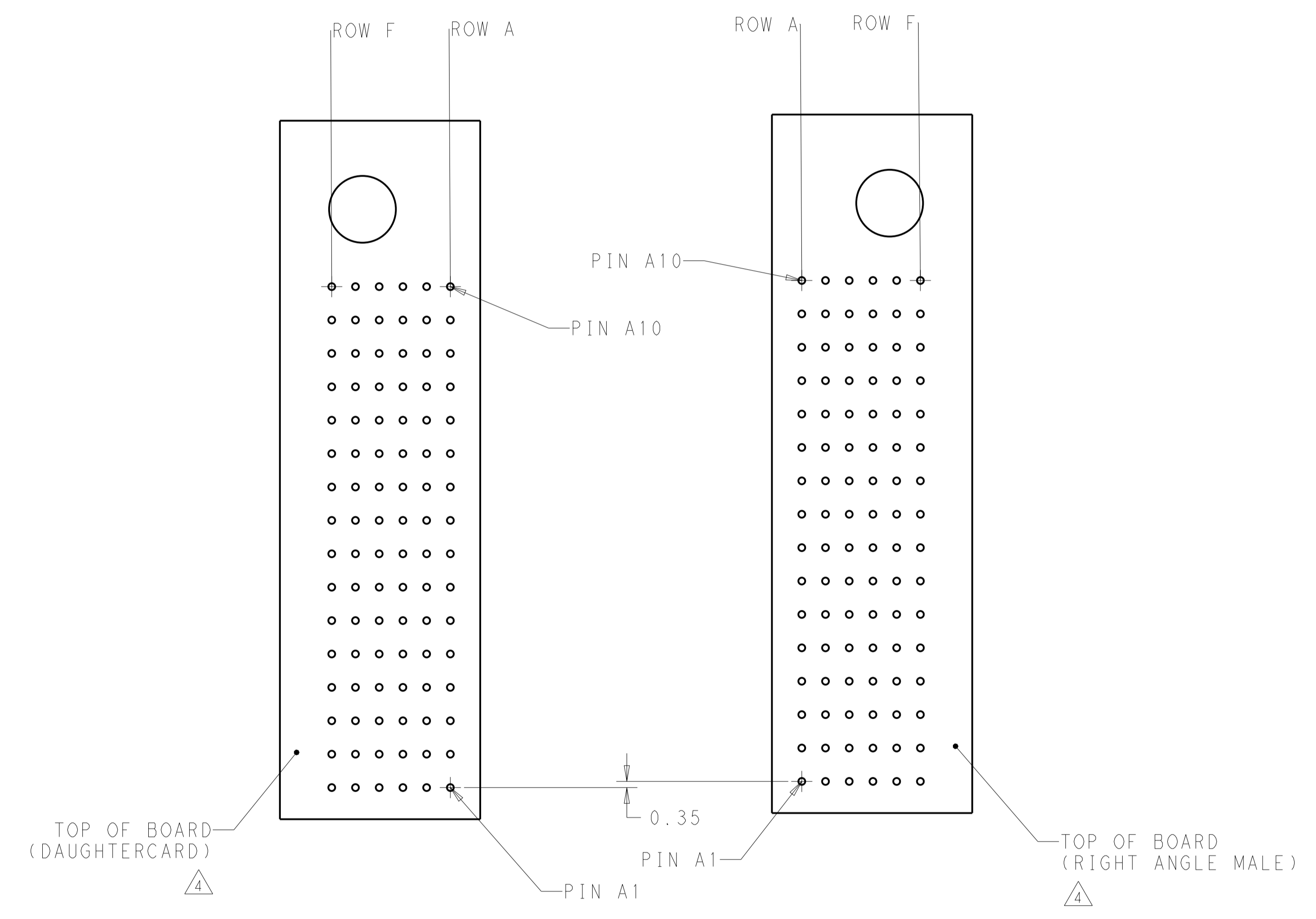


- ⚠ MATERIAL:
HOUSING: LCP, GLASS FILLED, UL94V-0.
TERMINALS: HIGH PERFORMANCE COPPER ALLOY.
- ⚠ FINISH:
30µm SELECTIVE GOLD IN CONTACT AREA. SELECTIVE TIN ON PCB TAILS, NICKEL OVERALL.
- ⚠ FINISH:
30µm SELECTIVE GOLD IN CONTACT AREA. SELECTIVE TIN-LEAD ON PCB TAILS, NICKEL OVERALL.
- ⚠ LEFT GUIDED RIGHT ANGLE MALE MATES TO RIGHT GUIDED RIGHT ANGLE RECEPTACLE.
- 5. CONNECTOR SUPPLIED WITH MOUNTING SCREW.
- ⚠ TE LOGO LOCATED IN APPROXIMATE LOCATION.

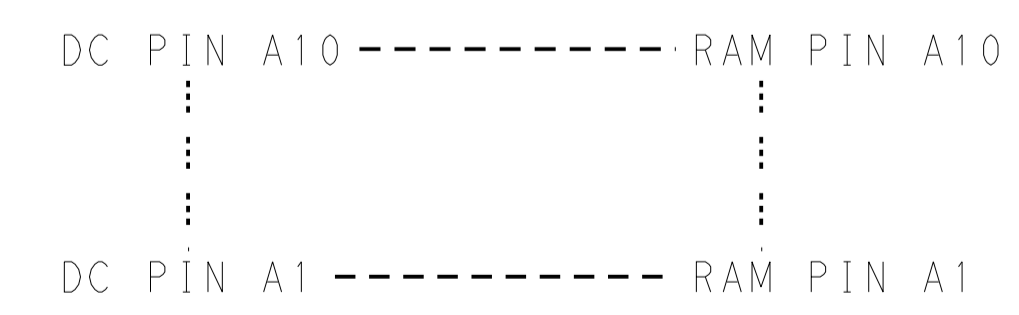


THIS DRAWING IS A CONTROLLED DOCUMENT.		DWN	07APR2011	STE TE Connectivity
DIMENSIONS:		CHK	07APR2011	
mm	TOLERANCES UNLESS OTHERWISE SPECIFIED:	APVD	07APR2011	NAME IMPACT, STD. RAM, 2 PAIR, 16 COLUMN, LEFT GUIDED OPEN END WALL SIGNAL MODULE, 0.39 EYELET
0 PLC ±	1 PLC ±0.25	PRODUCT SPEC		
2 PLC ±0.13	3 PLC ±	APPLICATION SPEC		SIZE
4 PLC ±	ANGLES ±	WEIGHT		CAGE CODE
MATERIAL	FINISH SEE TABLE	CUSTOMER DRAWING		DRAWING NO
				RESTRICTED TO
				A100779C=2143313
				SCALE 5:1 SHEET 1 OF 2 REV C

LOC		DIST		REVISIONS				
AD	00	REV	DATE	DESCRIPTION	DATE	DWN	APVD	
-	-	-	-	SEE SHEET 1	-	-	-	



COPLANAR MATED SIGNAL PATHS



△3	5.50	2143313-6
△3	4.90	2143313-5
△2	5.50	2143313-3
△2	4.90	2143313-2
FINISH	DIM M	PART NUMBER

REFER TO WWW.TE.COM FOR PRODUCT AVAILABILITY

THIS DRAWING IS A CONTROLLED DOCUMENT.		DWN	07APR2011	TE Connectivity
DIMENSIONS:		CHK	07APR2011	
mm		APVD	07APR2011	
TOLERANCES UNLESS OTHERWISE SPECIFIED: 0 PLC ± 1 PLC ±0.25 2 PLC ±0.13 3 PLC ± 4 PLC ± ANGLES ±		NAME	IMPACT, STD. RAM, 2 PAIR, 16 COLUMN, LEFT GUIDED OPEN END WALL SIGNAL MODULE, 0.39 EYELET	
MATERIAL		FINISH	SEE TABLE	RESTRICTED TO
CUSTOMER DRAWING		SCALE	5:1	SHEET 2 OF 2
REV		C		