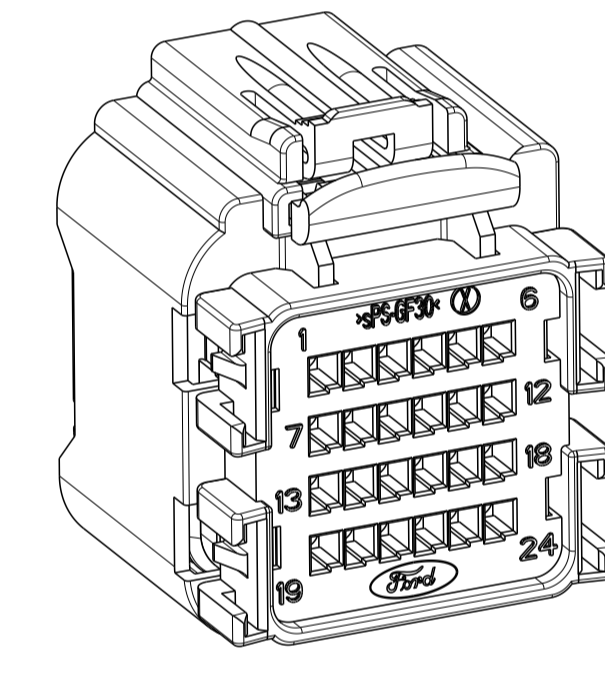
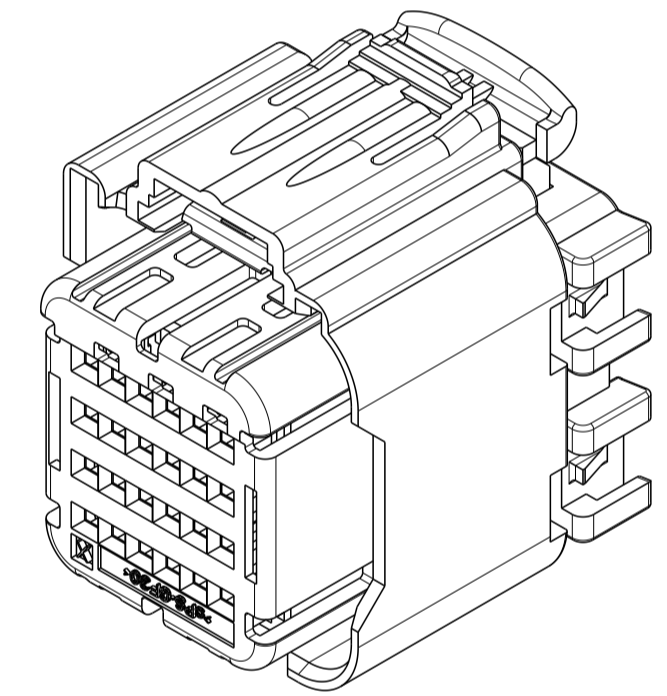
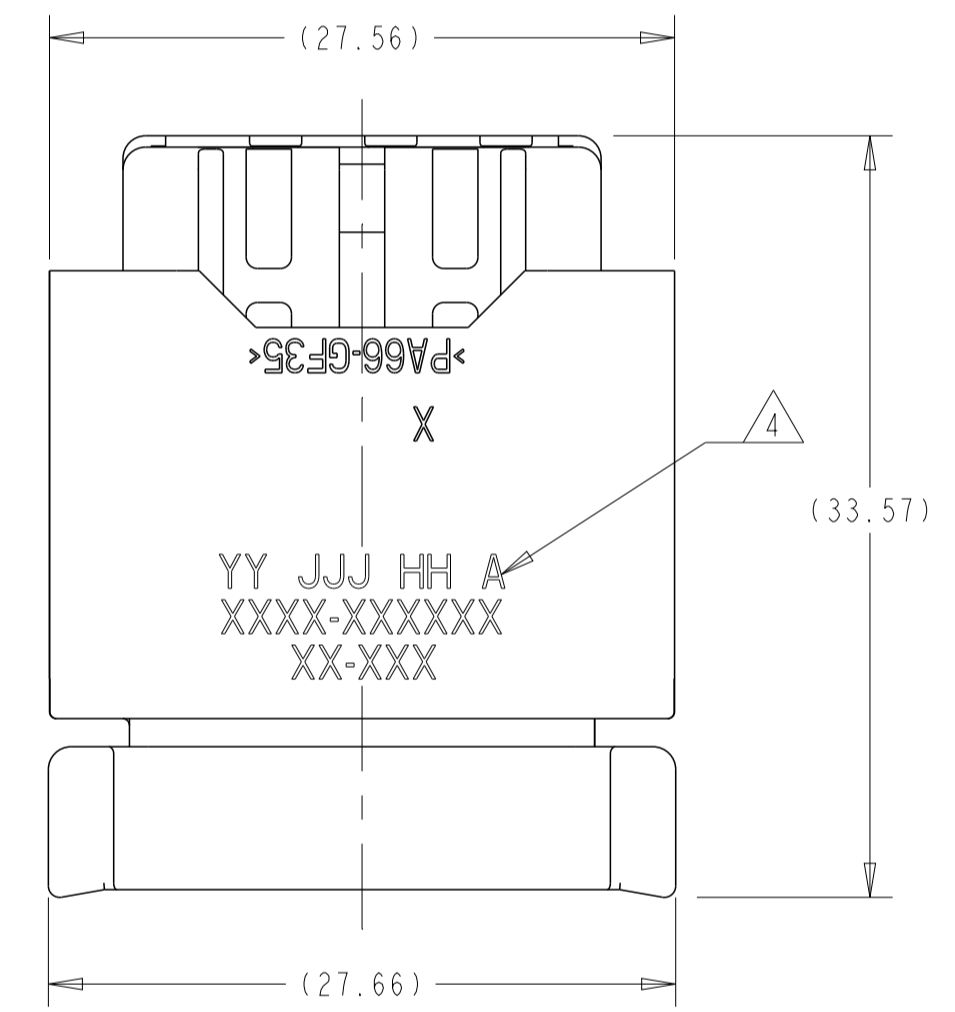
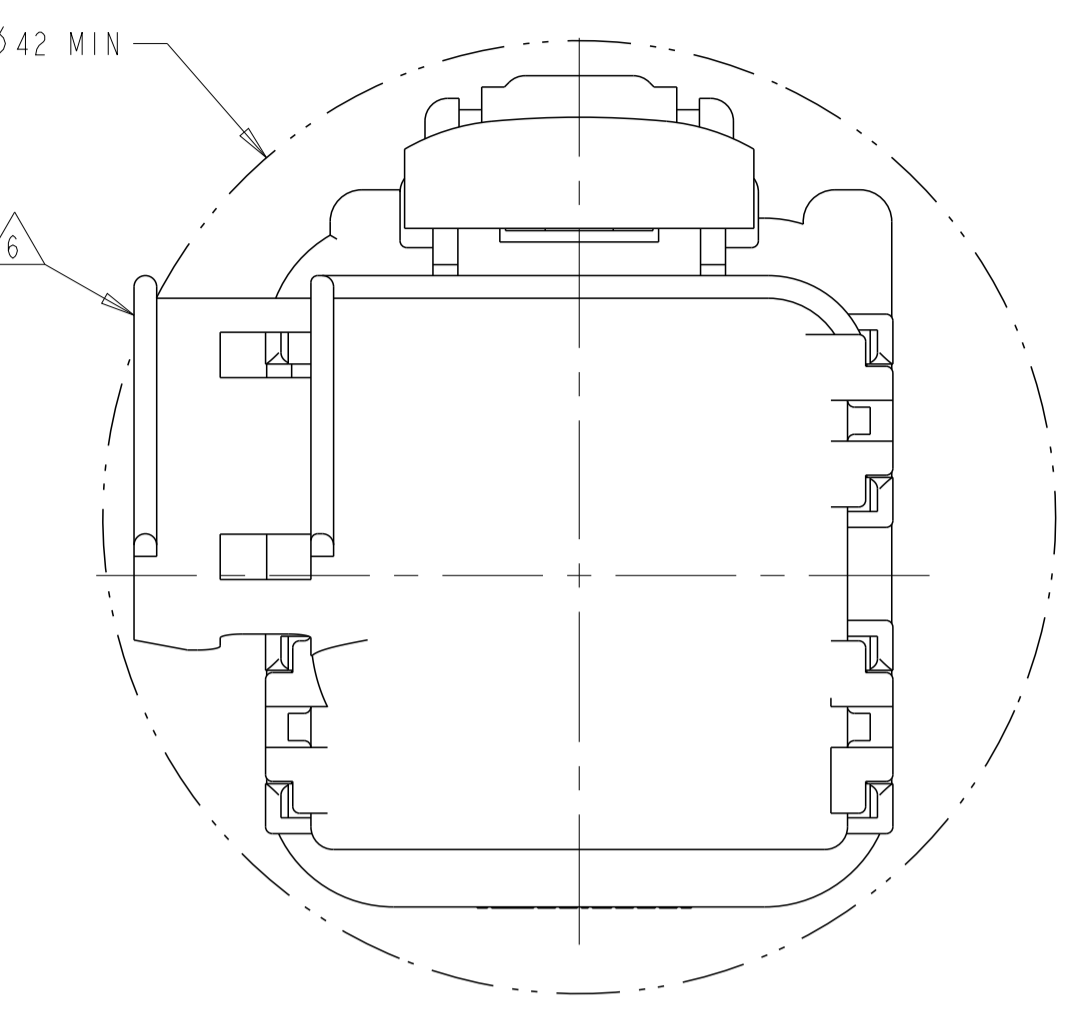
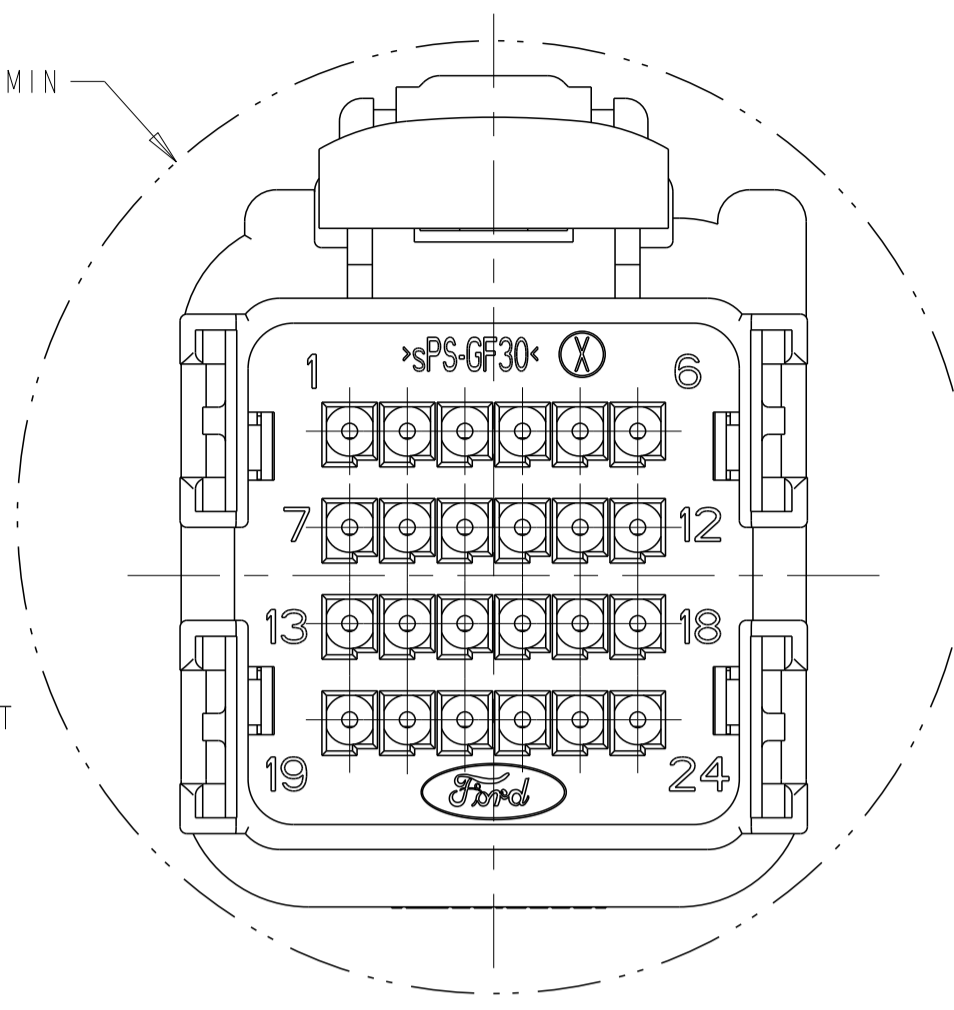
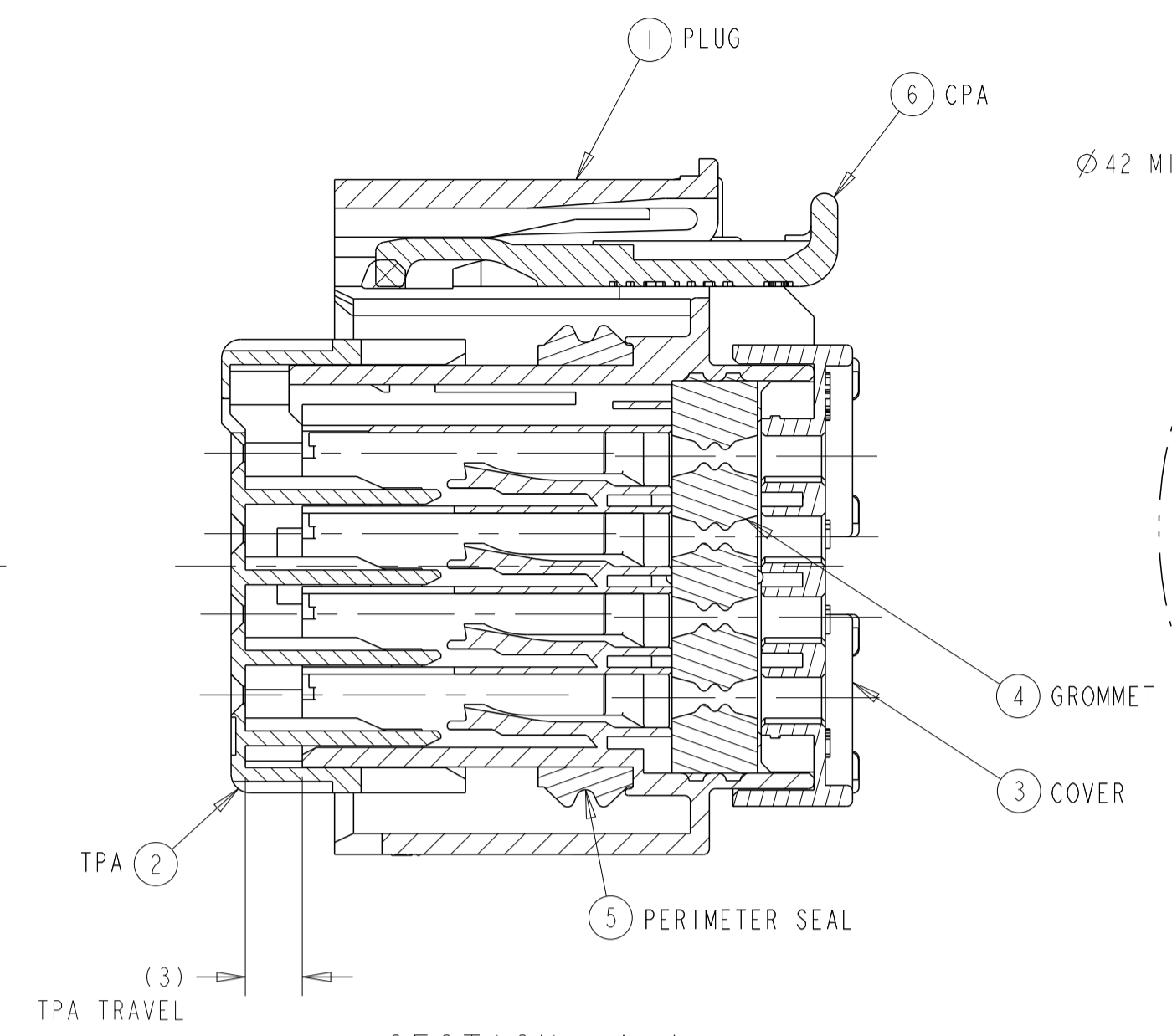
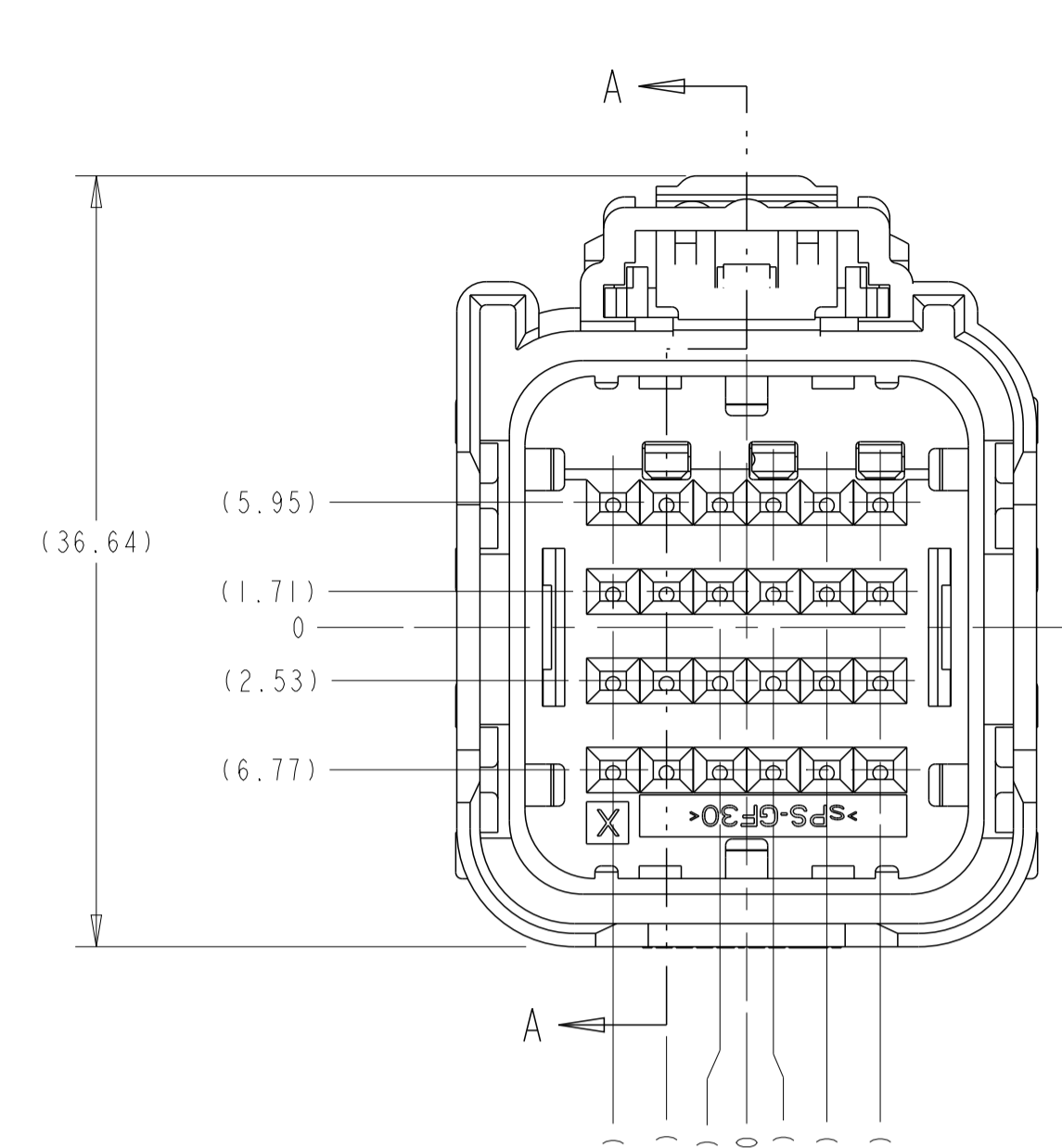
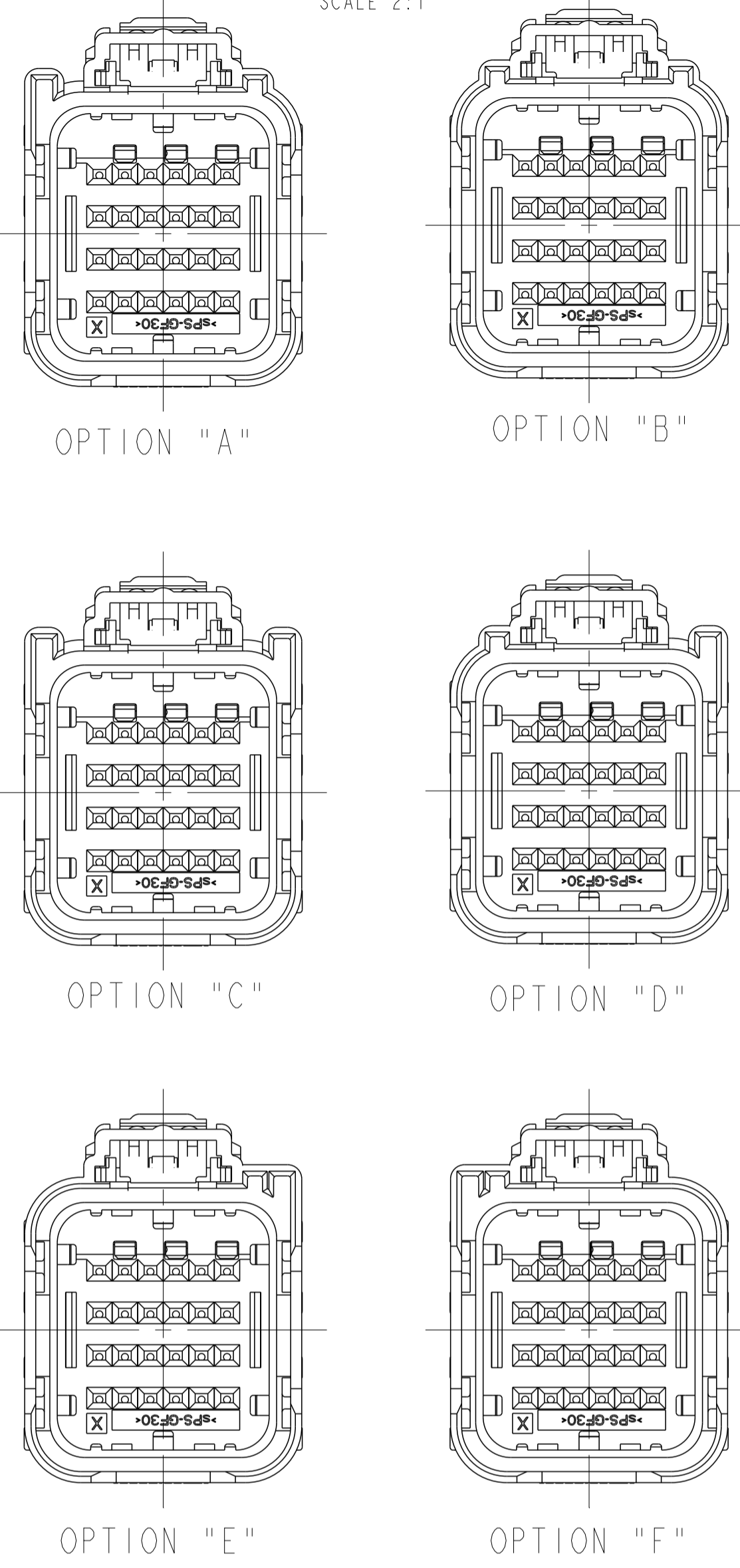
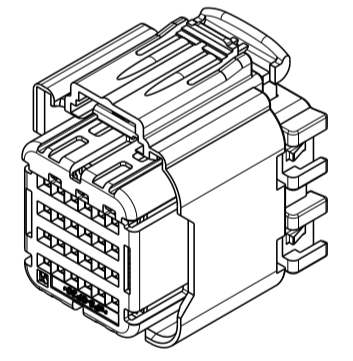


LOC	DIST	REVISIONS			
P	LTN	DESCRIPTION	DATE	OWN	APVD
BM		REVISED PER ECO-18-002641	22FEB2018	JMS	WW
BN		REVISED PER ECO-19-007173	17MAY2019	RGV	WW
BN1		REVISED PER ECO-20-012739	05OCT2020	AP	DR
BN2		REV PER ECN-22-168671	18AUG2022	SMR	WW

KEYING OPTIONS
SCALE 2:1



- APPLICABLE TERMINAL PART NUMBERS (SOLD SEPARATELY):
 FOR TIN APPLICATIONS: 1393367 AND 1393366.
 FOR GOLD APPLICATIONS: 1393365 AND 1393364.
 FOR TERMINATION AND REELING OPTIONS
 SEE DRAWINGS 1393367, 1393366, 1393365, AND 1393364.
- COMPATIBLE WIRE SIZES FOR MAT SEAL DESIGN 1.19 TO 2.06 O.D.
 (22-18 AWG, 0.35-0.75 mm²)
- TPA IS SHIPPED IN IT'S PRE-LOADED POSITION. ALL ASSEMBLIES ARE
 TO BE TRAY PACKAGED.
- CUSTOMER PART NUMBER AND TRACEABILITY CODE (YY = TWO DIGIT YEAR,
 JJJ = JULIAN DAY, HH = TWO DIGIT MILITARY HOUR, A = ASSEMBLY
 PROCESS USED) ARE PRINTED IN THIS LOCATION.
- PART ASSEMBLY WEIGHT WITHOUT TERMINALS AND WITH STANDARD PIN-OUT
 CONFIGURATION IS 14.39 GRAMS.
- OPTIONAL WIRESHIELD P/N 7-1419157-8 (SOLD SEPARATELY). PLEASE CONTACT
 YOUR TE SALES REPRESENTATIVE FOR AVAILABILITY AND PRICING.
- OBSELETE PART.



ASSEMBLY PART NUMBERS		ITEM	DESCRIPTION	MATERIAL	FINISH/COLOR
1-1438103-7	1-1438103-6	6	CPA	PBT 15% GF	RED
1-1438103-5	1-1438356-2	5	PERIMETER SEAL	SILICONE	GREEN
1-1438356-2	1-1438095-3	4	GROMMET	SILICONE	BROWN
2-1438095-3	1-1438103-4	3	COVER	PA66 35% GF	BLACK
1-1438103-4	1438582-3	2	TPA WITH 3 SHORTING BAR POSITIONS CONFIGURATION	sPS 30% GF	RED OR NATURAL
1-1438356-1	1-1438096-4	1	PLUG WITH KEYING OPTION "F" AND 3 SHORTING BAR POSITIONS CONFIGURATION	PA66 35% GF	BLACK
1-1438103-3	1-1438096-4	1	PLUG WITH KEYING OPTION "E" AND 3 SHORTING BAR POSITIONS CONFIGURATION	PA66 35% GF	BLACK
1-1438356-0	1-1438095-2	1	PLUG WITH KEYING OPTION "D" AND 3 SHORTING BAR POSITIONS CONFIGURATION	PA66 35% GF	BLACK
2-1438095-2	1-1438096-3	1	PLUG WITH KEYING OPTION "C" AND 3 SHORTING BAR POSITIONS CONFIGURATION	PA66 35% GF	NATURAL
1-1438096-3	1-1438096-2	1	PLUG WITH KEYING OPTION "B" AND 3 SHORTING BAR POSITIONS CONFIGURATION	PA66 35% GF	BLACK
1-1438096-2	1-1438095-5	1	PLUG WITH KEYING OPTION "A" AND 3 SHORTING BAR POSITIONS CONFIGURATION	PA66 35% GF	GRAY
1-1438096-1	1438583-3				
1438583-2	1438583-1				
1438583-1	1438582-2				
1438582-2	1438582-1				
1438582-1	1438103-2				
1438103-2	1438095-1				
1438095-1	1438095-1				
1438095-8	1438095-7				
1438095-7	1438103-0				
1438103-0	1438103-0				
1438356-9	1438356-8				
1438356-8	1438103-9				
1438103-9	1-1438095-6				
1-1438095-6	1-1438095-5				
1-1438095-5	1-1438095-4				
1-1438095-4	1438356-7				
1438356-7	1438356-6				
1438356-6	1438356-5				
1438356-5	1438356-4				
1438356-4	1-1438095-3				
1-1438095-3	1-1438095-2				
1-1438095-2	1438103-8				
1438103-8	1438356-3				
1438356-3	1-1438095-1				
1-1438095-1	1438356-2				
1438356-2	1438356-1				
1438356-1	1-1438096-0				
1-1438096-0	1438096-9				
1438096-9	1438096-8				
1438096-8	1438096-7				
1438096-7	1438096-6				
1438096-6	1438096-5				
1438096-5	1438096-4				
1438096-4	1438096-3				
1438096-3	1438096-2				
1438096-2	4-1419171-1				
4-1419171-1	1-1438095-0				
1-1438095-0	1438095-9				
1438095-9	1438095-8				
1438095-8	1438095-7				
1438095-7	1438095-6				
1438095-6	1438095-5				
1438095-5	1438095-4				
1438095-4	1438095-3				
1438095-3	4-1419171-0				
4-1419171-0	1438103-7				
1438103-7	1438103-6				
1438103-6	1438103-5				
1438103-5	1438103-4				
1438103-4	1438103-3				
1438103-3	1438103-2				
1438103-2	1438103-1				
1438103-1	7-1419157-7				
7-1419157-7	3-1419171-9				
3-1419171-9					

KEYING OPTION "A" SHOWN

THIS DRAWING IS A CONTROLLED DOCUMENT. OWN: M. FORLSKA 16APR2002
 CHK: M. FORLSKA 16APR2002
 APVD: A. VALASEK 16APR2002

TE Connectivity

24 WAY ARM,
 PLUG ASSEMBLY WITHOUT SHORTING BARS,
 CUSTOMER SPEC.

SIZE: 3-1419157-9
 WEIGHT: SEE NOTE 5
 CUSTOMER DRAWING

SCALE: 3:1
 SHEET: 1 OF 3
 REV: BN2

