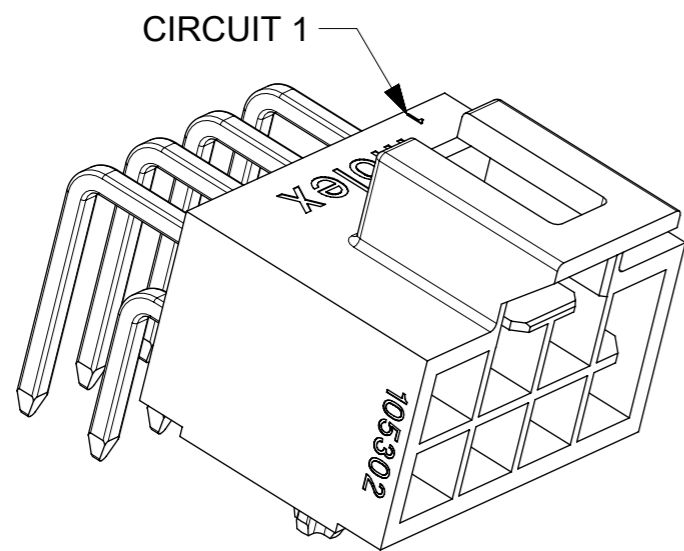
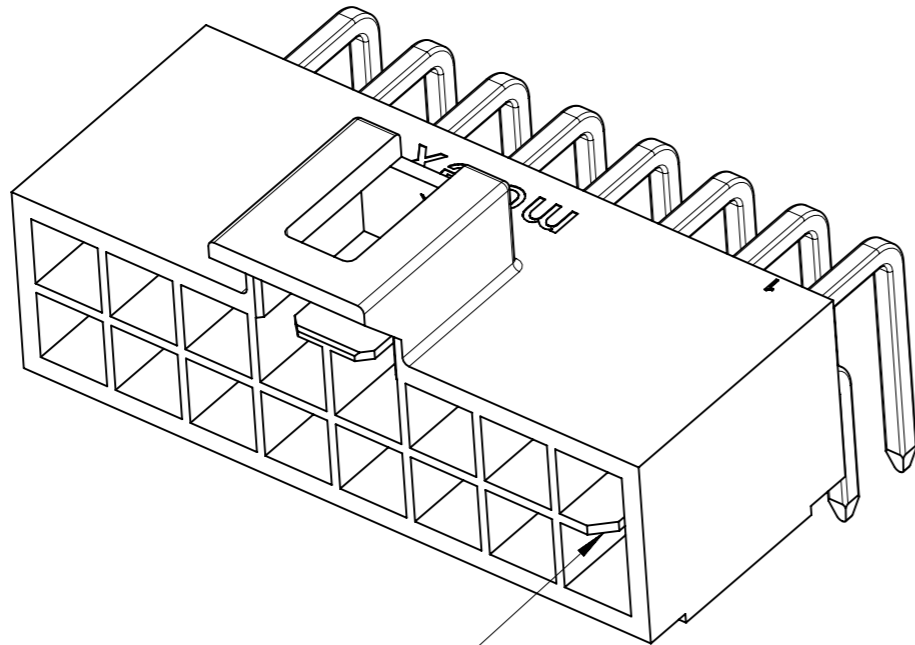


RECOMMENDED PCB(CONNECTOR SIDE VIEW) THICKNESS=1.6 TO 2.4 MM.

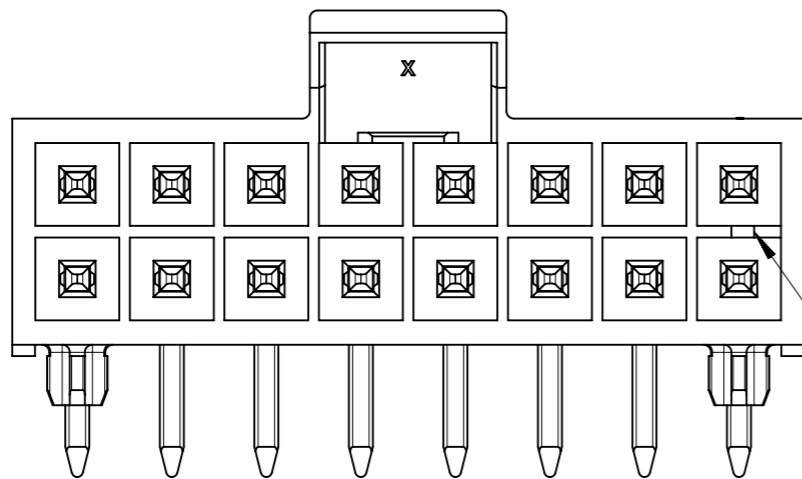


OPTION 1: LATCH FLUSH WITH PCB EDGE.
OPTION 2: HOUSING BODY FLUSH WITH PCB EDGE.

| | | | | | |
|------------------------|---|---|--|------------------|--|
| FUNCTIONAL SYMBOLS | THIS DRAWING CONTAINS INFORMATION THAT IS PROPRIETARY TO MOLEX ELECTRONIC TECHNOLOGIES, LLC AND SHOULD NOT BE USED WITHOUT WRITTEN PERMISSION | | CURRENT REV DESC: | | molex |
| | $\frac{E}{A} = 0$ $\frac{E}{B} = 0$ $\frac{E}{C} = 0$ | DIMENSION UNITS: mm SCALE: 5:1 | EC NO: 638342 DRWN: GLLI CHK'D: YXZHENG APPR: YXZHENG INITIAL REVISION: DRWN: GLLI APPR: YXZHENG | | |
| DIVISIONAL SYMBOLS | GENERAL TOLERANCES (UNLESS SPECIFIED) | | 4 PLACES \pm 3 PLACES ± 0.1 2 PLACES ± 0.2 1 PLACE ± 0.3 0 PLACES \pm | | PRODUCT CUSTOMER DRAWING |
| | ANGULAR TOL $\pm 3.0^\circ$ | | DRAFT WHERE APPLICABLE MUST REMAIN WITHIN DIMENSIONS | | DOCUMENT NUMBER: 1053141000-SD DOC TYPE: PSD DOC PART: 000 REVISION: B |
| THIRD ANGLE PROJECTION | | DRAWING: A3-SIZE | SERIES: 105314 | MATERIAL NUMBER: | CUSTOMER: GENERAL MARKET SHEET NUMBER: 1 OF 5 |

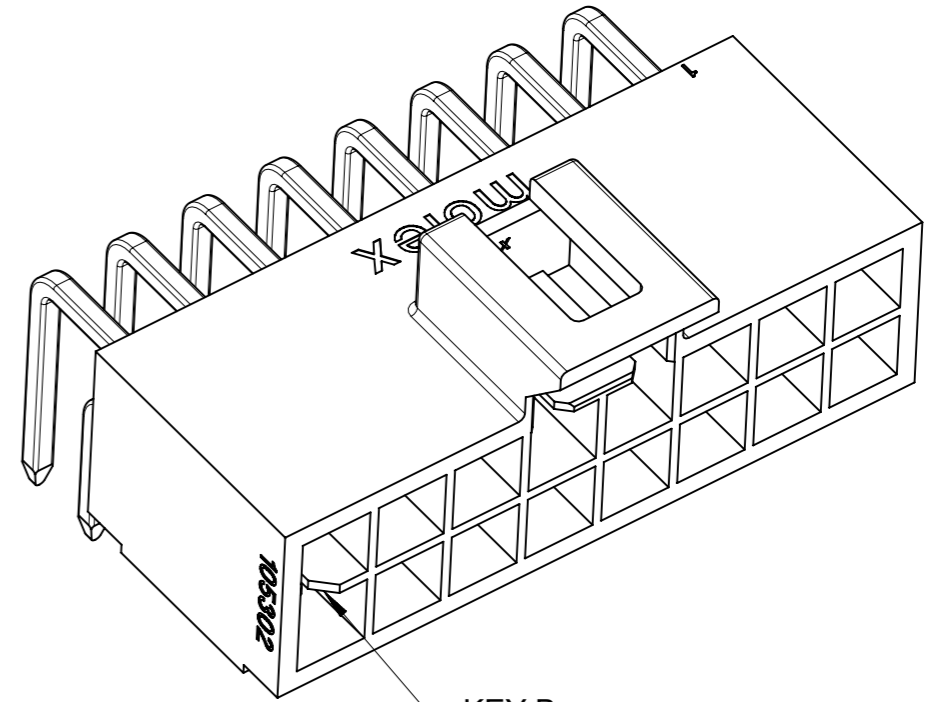


KEY A

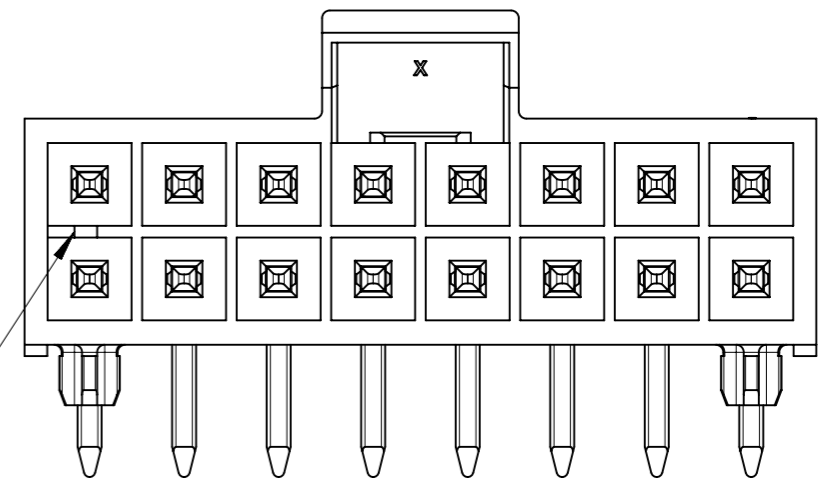


KEY A

BLACK



KEY B



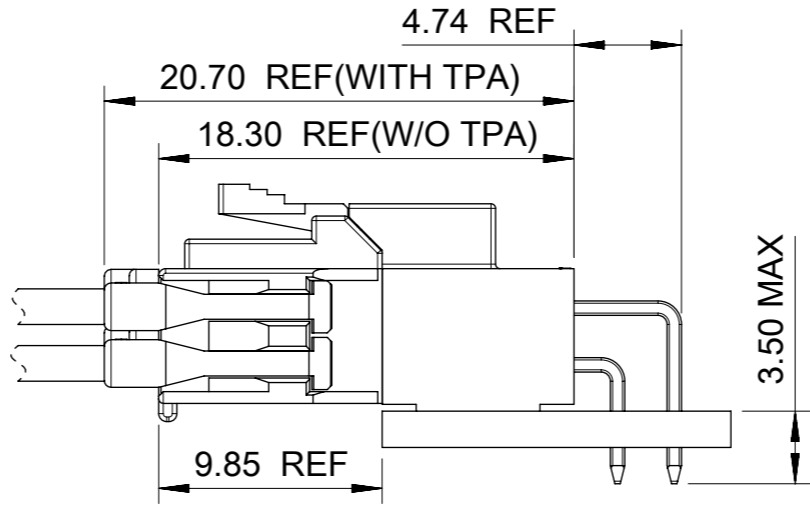
KEY B

NATURAL

COLOR OPTION

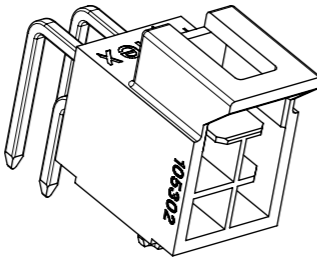
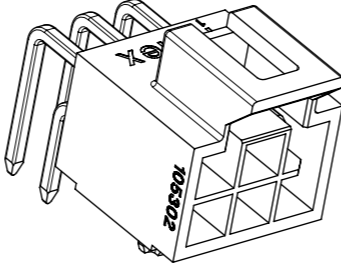
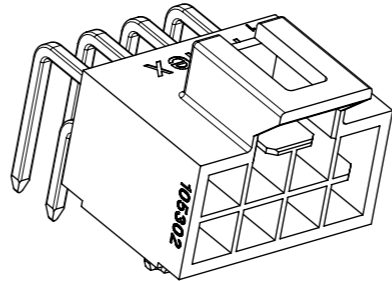
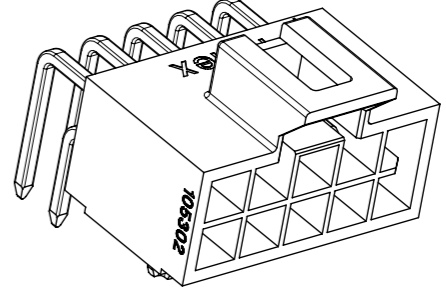
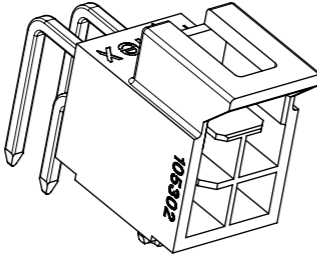
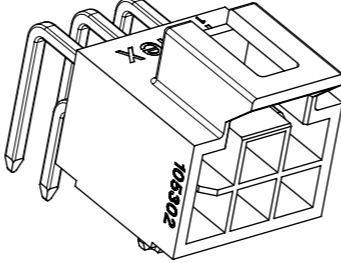
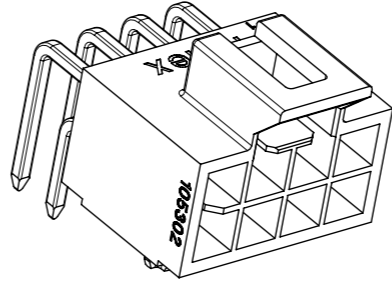
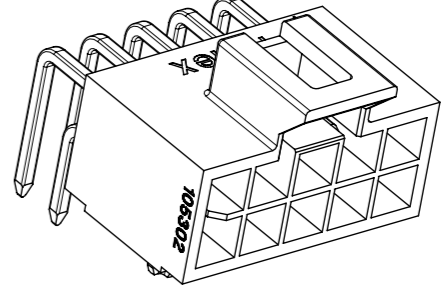
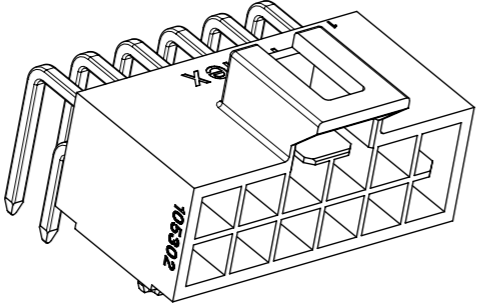
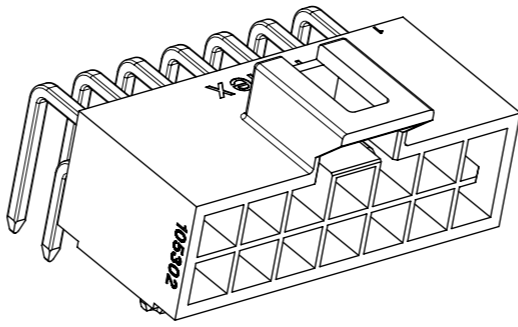
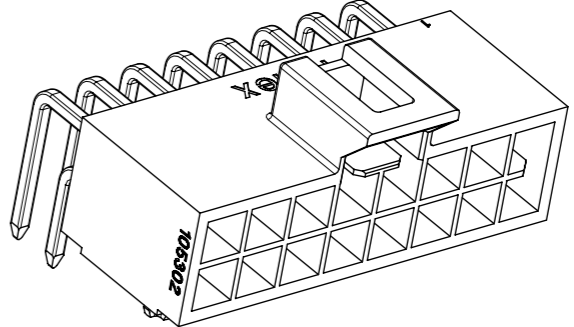
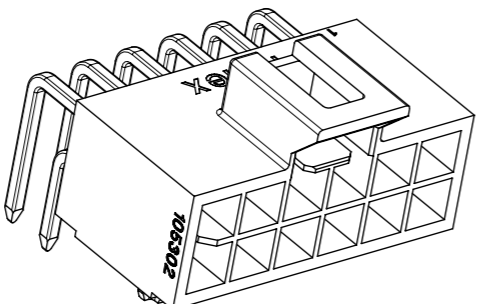
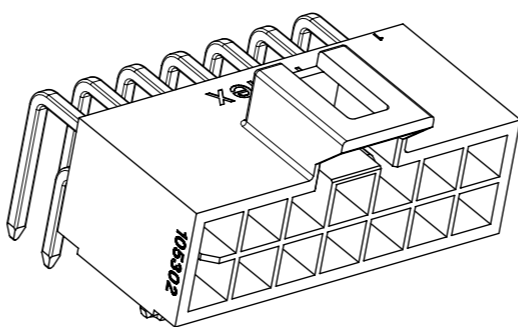
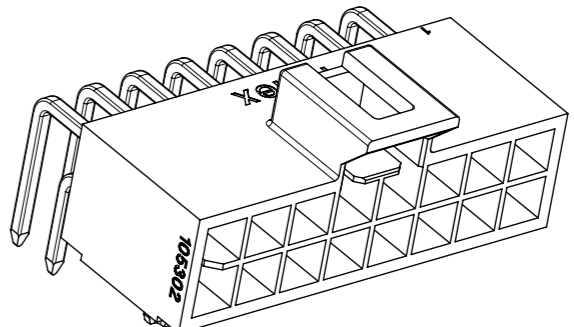
| | | | | | | | | |
|--|---|------------------------------|-------------------|---------------|-----------------|--|--------------|--|
| FUNCTIONAL SYMBOLS | THIS DRAWING CONTAINS INFORMATION THAT IS PROPRIETARY TO MOLEX ELECTRONIC TECHNOLOGIES, LLC AND SHOULD NOT BE USED WITHOUT WRITTEN PERMISSION | | CURRENT REV DESC: | | | molex | | |
| | $\nabla_A = 0$ $\nabla_B = 0$ $\nabla_C = 0$ | DIMENSION UNITS mm | | | | | | |
| DIVISIONAL SYMBOLS | GENERAL TOLERANCES (UNLESS SPECIFIED) | | 2020/05/27 | | | HEADER OF NANO-FIT, D/R, R/A POWER CONNECTOR | | |
| | ANGULAR TOL $\pm 3.0^\circ$ | | 2020/06/03 | | | PRODUCT CUSTOMER DRAWING | | |
| | 4 PLACES \pm | 2020/06/03 | | | DOCUMENT NUMBER | | | |
| | 3 PLACES ± 0.1 | INITIAL REVISION: | | | DOC TYPE | | | |
| | 2 PLACES ± 0.2 | DRWN: GLLI | | | DOC PART | | | |
| 1 PLACE ± 0.3 | APPR: YXZHENG | | | REVISION | | | | |
| 0 PLACES \pm | 2019/06/12 | | | 1053141000-SD | | | | |
| DRAFT WHERE APPLICABLE MUST REMAIN WITHIN DIMENSIONS | | THIRD ANGLE PROJECTION | DRAWING | SERIES | MATERIAL NUMBER | CUSTOMER | SHEET NUMBER | |
| | | | A3-SIZE | 105314 | GENERAL MARKET | 000 | 2 OF 5 | |

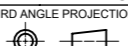
| 10 | 9 | 8 | 7 | 6 | 5 | 4 | 3 | 2 | 1 |
|--------------|---------|---------|---------|----------|---------------------|---|---|---|---|
| PART NUMBER | DIM 'A' | DIM 'B' | DIM 'C' | CKT SIZE | PLATING | | | | |
| 105314-1504 | 5.94 | 2.50 | 3.14 | 4 | TIN | | | | |
| 105314-1506 | 8.44 | 5.00 | 5.64 | 6 | | | | | |
| 105314-1508 | 10.94 | 7.50 | 8.14 | 8 | | | | | |
| 105314-1510 | 13.44 | 10.00 | 10.64 | 10 | | | | | |
| 105314-1512 | 15.94 | 12.50 | 13.14 | 12 | | | | | |
| 105314-1514 | 18.44 | 15.00 | 15.64 | 14 | | | | | |
| 105314-1516 | 20.94 | 17.50 | 18.14 | 16 | GOLD 0.38 | | | | |
| 105314-1704 | 5.94 | 2.50 | 3.14 | 4 | | | | | |
| 105314-1706 | 8.44 | 5.00 | 5.64 | 6 | | | | | |
| 105314-1708 | 10.94 | 7.50 | 8.14 | 8 | | | | | |
| 105314-1710 | 13.44 | 10.00 | 10.64 | 10 | | | | | |
| 105314-1712 | 15.94 | 12.50 | 13.14 | 12 | | | | | |
| 105314-1714 | 18.44 | 15.00 | 15.64 | 14 | GOLD 0.76 | | | | |
| 105314-1716 | 20.94 | 17.50 | 18.14 | 16 | | | | | |
| 105314-1604 | 5.94 | 2.50 | 3.14 | 4 | | | | | |
| 105314-1606 | 8.44 | 5.00 | 5.64 | 6 | | | | | |
| 105314-1608 | 10.94 | 7.50 | 8.14 | 8 | | | | | |
| 105314-1610 | 13.44 | 10.00 | 10.64 | 10 | | | | | |
| 105314-1612 | 15.94 | 12.50 | 13.14 | 12 | GOLD 0.76 + LUBE | | | | |
| 105314-1614 | 18.44 | 15.00 | 15.64 | 14 | | | | | |
| 105314-1616 | 20.94 | 17.50 | 18.14 | 16 | | | | | |
| 105314-1804 | 5.94 | 2.50 | 3.14 | 4 | | | | | |
| 105314-1806 | 8.44 | 5.00 | 5.64 | 6 | | | | | |
| 105314-1808 | 10.94 | 7.50 | 8.14 | 8 | | | | | |
| 105314-1810 | 13.44 | 10.00 | 10.64 | 10 | | | | | |
| 105314-1812 | 15.94 | 12.50 | 13.14 | 12 | | | | | |
| 105314-1814 | 18.44 | 15.00 | 15.64 | 14 | | | | | |
| 105314-1816 | 20.94 | 17.50 | 18.14 | 16 | | | | | |
| COLOR: BLACK | | | | | | | | | |



| 10 | 9 | 8 | 7 | 6 | 5 | 4 | 3 | 2 | 1 |
|----------------|---------|---------|---------|----------|---------------------|---|---|---|---|
| PART NUMBER | DIM 'A' | DIM 'B' | DIM 'C' | CKT SIZE | PLATING | | | | |
| 105314-2504 | 5.94 | 2.50 | 3.14 | 4 | TIN | | | | |
| 105314-2506 | 8.44 | 5.00 | 5.64 | 6 | | | | | |
| 105314-2508 | 10.94 | 7.50 | 8.14 | 8 | | | | | |
| 105314-2510 | 13.44 | 10.00 | 10.64 | 10 | | | | | |
| 105314-2512 | 15.94 | 12.50 | 13.14 | 12 | | | | | |
| 105314-2514 | 18.44 | 15.00 | 15.64 | 14 | | | | | |
| 105314-2516 | 20.94 | 17.50 | 18.14 | 16 | GOLD 0.38 | | | | |
| 105314-2704 | 5.94 | 2.50 | 3.14 | 4 | | | | | |
| 105314-2706 | 8.44 | 5.00 | 5.64 | 6 | | | | | |
| 105314-2708 | 10.94 | 7.50 | 8.14 | 8 | | | | | |
| 105314-2710 | 13.44 | 10.00 | 10.64 | 10 | | | | | |
| 105314-2712 | 15.94 | 12.50 | 13.14 | 12 | | | | | |
| 105314-2714 | 18.44 | 15.00 | 15.64 | 14 | GOLD 0.76 | | | | |
| 105314-2716 | 20.94 | 17.50 | 18.14 | 16 | | | | | |
| 105314-2604 | 5.94 | 2.50 | 3.14 | 4 | | | | | |
| 105314-2606 | 8.44 | 5.00 | 5.64 | 6 | | | | | |
| 105314-2608 | 10.94 | 7.50 | 8.14 | 8 | | | | | |
| 105314-2610 | 13.44 | 10.00 | 10.64 | 10 | | | | | |
| 105314-2612 | 15.94 | 12.50 | 13.14 | 12 | GOLD 0.76 + LUBE | | | | |
| 105314-2614 | 18.44 | 15.00 | 15.64 | 14 | | | | | |
| 105314-2616 | 20.94 | 17.50 | 18.14 | 16 | | | | | |
| 105314-2804 | 5.94 | 2.50 | 3.14 | 4 | | | | | |
| 105314-2806 | 8.44 | 5.00 | 5.64 | 6 | | | | | |
| 105314-2808 | 10.94 | 7.50 | 8.14 | 8 | | | | | |
| 105314-2810 | 13.44 | 10.00 | 10.64 | 10 | | | | | |
| 105314-2812 | 15.94 | 12.50 | 13.14 | 12 | | | | | |
| 105314-2814 | 18.44 | 15.00 | 15.64 | 14 | | | | | |
| 105314-2816 | 20.94 | 17.50 | 18.14 | 16 | | | | | |
| COLOR: NATURAL | | | | | | | | | |

| | | | | | | | | | | | | | | | | | | | | | | | | | | | | | | | | | | | | | | | | | | | | | | | | | | | | | | | | | | | | | | | | | | | | | | | | | | | | | | | | | | | | | | | | | | | | | | | | | | |
|---|---|--------------|--|-----------------|--|--|--|--|--|--------------------|---|--|--|--|----------------|-----------------|-------|-------------------|--|----------------|----|-----|--|--|----------------|---------------------------------------|--|----------------|-------------|--------|--------------------|----------|---|--|----------|-------|---------------|------------|--|----------|-------|------------|------------|--|---------|-------|----------------|------------|--|----------|---|---------------|------------|--|--|--|-------------------|-----------------|--|------------------------|--|------------|---------------|--|---------|--|---------------|----------|--|---------|--|------------|-----|--|--------|--|------------|----------|--|-----------------|--|--------|-----|--|----------|--|----------------|----------|--|--------------|--|--|---|--|--|--|--|--------|
| <table border="1"> <tr> <td>FUNCTIONAL SYMBOLS</td> <td colspan="2">THIS DRAWING CONTAINS INFORMATION THAT IS PROPRIETARY TO MOLEX ELECTRONIC TECHNOLOGIES, LLC AND SHOULD NOT BE USED WITHOUT WRITTEN PERMISSION</td> <td colspan="2"></td> </tr> <tr> <td>$\nabla_A = 0$</td> <td>DIMENSION UNITS</td> <td>SCALE</td> <td colspan="2">CURRENT REV DESC:</td> </tr> <tr> <td>$\nabla_B = 0$</td> <td>mm</td> <td>3:1</td> <td colspan="2" rowspan="4"> molex HEADER OF NANO-FIT, D/R, R/A POWER CONNECTOR PRODUCT CUSTOMER DRAWING </td> </tr> <tr> <td>$\nabla_C = 0$</td> <td colspan="2">GENERAL TOLERANCES (UNLESS SPECIFIED)</td> </tr> <tr> <td>$\nabla_D = 0$</td> <td>ANGULAR TOL</td> <td>± 3.0°</td> </tr> <tr> <td>DIVISIONAL SYMBOLS</td> <td>4 PLACES</td> <td>±</td> </tr> <tr> <td></td> <td>3 PLACES</td> <td>± 0.1</td> <td>EC NO: 638342</td> <td>2020/05/27</td> </tr> <tr> <td></td> <td>2 PLACES</td> <td>± 0.2</td> <td>DRWN: GLLI</td> <td>2020/06/03</td> </tr> <tr> <td></td> <td>1 PLACE</td> <td>± 0.3</td> <td>CHK'D: YXZHENG</td> <td>2020/06/03</td> </tr> <tr> <td></td> <td>0 PLACES</td> <td>±</td> <td>APPR: YXZHENG</td> <td>2020/06/03</td> </tr> <tr> <td></td> <td colspan="2">DRAFT WHERE APPLICABLE MUST REMAIN WITHIN DIMENSIONS</td> <td>INITIAL REVISION:</td> <td>DOCUMENT NUMBER</td> </tr> <tr> <td></td> <td colspan="2">THIRD ANGLE PROJECTION</td> <td>DRWN: GLLI</td> <td>1053141000-SD</td> </tr> <tr> <td></td> <td colspan="2">DRAWING</td> <td>APPR: YXZHENG</td> <td>DOC TYPE</td> </tr> <tr> <td></td> <td colspan="2">A3-SIZE</td> <td>2019/06/12</td> <td>PSD</td> </tr> <tr> <td></td> <td colspan="2">SERIES</td> <td>2020/03/16</td> <td>DOC PART</td> </tr> <tr> <td></td> <td colspan="2">MATERIAL NUMBER</td> <td>105314</td> <td>000</td> </tr> <tr> <td></td> <td colspan="2">CUSTOMER</td> <td>GENERAL MARKET</td> <td>REVISION</td> </tr> <tr> <td></td> <td colspan="2">SHEET NUMBER</td> <td></td> <td>B</td> </tr> <tr> <td></td> <td colspan="2"></td> <td></td> <td>3 OF 5</td> </tr> </table> | | | | | | | | | | FUNCTIONAL SYMBOLS | THIS DRAWING CONTAINS INFORMATION THAT IS PROPRIETARY TO MOLEX ELECTRONIC TECHNOLOGIES, LLC AND SHOULD NOT BE USED WITHOUT WRITTEN PERMISSION | | | | $\nabla_A = 0$ | DIMENSION UNITS | SCALE | CURRENT REV DESC: | | $\nabla_B = 0$ | mm | 3:1 | molex HEADER OF NANO-FIT, D/R, R/A POWER CONNECTOR PRODUCT CUSTOMER DRAWING | | $\nabla_C = 0$ | GENERAL TOLERANCES (UNLESS SPECIFIED) | | $\nabla_D = 0$ | ANGULAR TOL | ± 3.0° | DIVISIONAL SYMBOLS | 4 PLACES | ± | | 3 PLACES | ± 0.1 | EC NO: 638342 | 2020/05/27 | | 2 PLACES | ± 0.2 | DRWN: GLLI | 2020/06/03 | | 1 PLACE | ± 0.3 | CHK'D: YXZHENG | 2020/06/03 | | 0 PLACES | ± | APPR: YXZHENG | 2020/06/03 | | DRAFT WHERE APPLICABLE MUST REMAIN WITHIN DIMENSIONS | | INITIAL REVISION: | DOCUMENT NUMBER | | THIRD ANGLE PROJECTION | | DRWN: GLLI | 1053141000-SD | | DRAWING | | APPR: YXZHENG | DOC TYPE | | A3-SIZE | | 2019/06/12 | PSD | | SERIES | | 2020/03/16 | DOC PART | | MATERIAL NUMBER | | 105314 | 000 | | CUSTOMER | | GENERAL MARKET | REVISION | | SHEET NUMBER | | | B | | | | | 3 OF 5 |
| FUNCTIONAL SYMBOLS | THIS DRAWING CONTAINS INFORMATION THAT IS PROPRIETARY TO MOLEX ELECTRONIC TECHNOLOGIES, LLC AND SHOULD NOT BE USED WITHOUT WRITTEN PERMISSION | | | | | | | | | | | | | | | | | | | | | | | | | | | | | | | | | | | | | | | | | | | | | | | | | | | | | | | | | | | | | | | | | | | | | | | | | | | | | | | | | | | | | | | | | | | | | | | | | |
| $\nabla_A = 0$ | DIMENSION UNITS | SCALE | CURRENT REV DESC: | | | | | | | | | | | | | | | | | | | | | | | | | | | | | | | | | | | | | | | | | | | | | | | | | | | | | | | | | | | | | | | | | | | | | | | | | | | | | | | | | | | | | | | | | | | | | | | |
| $\nabla_B = 0$ | mm | 3:1 | molex HEADER OF NANO-FIT, D/R, R/A POWER CONNECTOR PRODUCT CUSTOMER DRAWING | | | | | | | | | | | | | | | | | | | | | | | | | | | | | | | | | | | | | | | | | | | | | | | | | | | | | | | | | | | | | | | | | | | | | | | | | | | | | | | | | | | | | | | | | | | | | | | |
| $\nabla_C = 0$ | GENERAL TOLERANCES (UNLESS SPECIFIED) | | | | | | | | | | | | | | | | | | | | | | | | | | | | | | | | | | | | | | | | | | | | | | | | | | | | | | | | | | | | | | | | | | | | | | | | | | | | | | | | | | | | | | | | | | | | | | | | | |
| $\nabla_D = 0$ | ANGULAR TOL | ± 3.0° | | | | | | | | | | | | | | | | | | | | | | | | | | | | | | | | | | | | | | | | | | | | | | | | | | | | | | | | | | | | | | | | | | | | | | | | | | | | | | | | | | | | | | | | | | | | | | | | |
| DIVISIONAL SYMBOLS | 4 PLACES | ± | | | | | | | | | | | | | | | | | | | | | | | | | | | | | | | | | | | | | | | | | | | | | | | | | | | | | | | | | | | | | | | | | | | | | | | | | | | | | | | | | | | | | | | | | | | | | | | | |
| | 3 PLACES | ± 0.1 | EC NO: 638342 | 2020/05/27 | | | | | | | | | | | | | | | | | | | | | | | | | | | | | | | | | | | | | | | | | | | | | | | | | | | | | | | | | | | | | | | | | | | | | | | | | | | | | | | | | | | | | | | | | | | | | | |
| | 2 PLACES | ± 0.2 | DRWN: GLLI | 2020/06/03 | | | | | | | | | | | | | | | | | | | | | | | | | | | | | | | | | | | | | | | | | | | | | | | | | | | | | | | | | | | | | | | | | | | | | | | | | | | | | | | | | | | | | | | | | | | | | | |
| | 1 PLACE | ± 0.3 | CHK'D: YXZHENG | 2020/06/03 | | | | | | | | | | | | | | | | | | | | | | | | | | | | | | | | | | | | | | | | | | | | | | | | | | | | | | | | | | | | | | | | | | | | | | | | | | | | | | | | | | | | | | | | | | | | | | |
| | 0 PLACES | ± | APPR: YXZHENG | 2020/06/03 | | | | | | | | | | | | | | | | | | | | | | | | | | | | | | | | | | | | | | | | | | | | | | | | | | | | | | | | | | | | | | | | | | | | | | | | | | | | | | | | | | | | | | | | | | | | | | |
| | DRAFT WHERE APPLICABLE MUST REMAIN WITHIN DIMENSIONS | | INITIAL REVISION: | DOCUMENT NUMBER | | | | | | | | | | | | | | | | | | | | | | | | | | | | | | | | | | | | | | | | | | | | | | | | | | | | | | | | | | | | | | | | | | | | | | | | | | | | | | | | | | | | | | | | | | | | | | |
| | THIRD ANGLE PROJECTION | | DRWN: GLLI | 1053141000-SD | | | | | | | | | | | | | | | | | | | | | | | | | | | | | | | | | | | | | | | | | | | | | | | | | | | | | | | | | | | | | | | | | | | | | | | | | | | | | | | | | | | | | | | | | | | | | | |
| | DRAWING | | APPR: YXZHENG | DOC TYPE | | | | | | | | | | | | | | | | | | | | | | | | | | | | | | | | | | | | | | | | | | | | | | | | | | | | | | | | | | | | | | | | | | | | | | | | | | | | | | | | | | | | | | | | | | | | | | |
| | A3-SIZE | | 2019/06/12 | PSD | | | | | | | | | | | | | | | | | | | | | | | | | | | | | | | | | | | | | | | | | | | | | | | | | | | | | | | | | | | | | | | | | | | | | | | | | | | | | | | | | | | | | | | | | | | | | | |
| | SERIES | | 2020/03/16 | DOC PART | | | | | | | | | | | | | | | | | | | | | | | | | | | | | | | | | | | | | | | | | | | | | | | | | | | | | | | | | | | | | | | | | | | | | | | | | | | | | | | | | | | | | | | | | | | | | | |
| | MATERIAL NUMBER | | 105314 | 000 | | | | | | | | | | | | | | | | | | | | | | | | | | | | | | | | | | | | | | | | | | | | | | | | | | | | | | | | | | | | | | | | | | | | | | | | | | | | | | | | | | | | | | | | | | | | | | |
| | CUSTOMER | | GENERAL MARKET | REVISION | | | | | | | | | | | | | | | | | | | | | | | | | | | | | | | | | | | | | | | | | | | | | | | | | | | | | | | | | | | | | | | | | | | | | | | | | | | | | | | | | | | | | | | | | | | | | | |
| | SHEET NUMBER | | | B | | | | | | | | | | | | | | | | | | | | | | | | | | | | | | | | | | | | | | | | | | | | | | | | | | | | | | | | | | | | | | | | | | | | | | | | | | | | | | | | | | | | | | | | | | | | | | |
| | | | | 3 OF 5 | | | | | | | | | | | | | | | | | | | | | | | | | | | | | | | | | | | | | | | | | | | | | | | | | | | | | | | | | | | | | | | | | | | | | | | | | | | | | | | | | | | | | | | | | | | | | | |
| DOCUMENT STATUS | P1 | RELEASE DATE | 2020/06/03 | 01:34:34 | | | | | | | | | | | | | | | | | | | | | | | | | | | | | | | | | | | | | | | | | | | | | | | | | | | | | | | | | | | | | | | | | | | | | | | | | | | | | | | | | | | | | | | | | | | | | | |

| | | | | | |
|---|---------|--|---|---|---|
| | | 4 CKT | 6 CKT | 8 CKT | 10 CKT |
| F | BLACK |  |  |  |  |
| E | NATURAL |  |  |  |  |
| | | 12 CKT | 14 CKT | 16 CKT | |
| D | BLACK |  |  |  | |
| C | NATURAL |  |  |  | |

| | | | | | | | |
|---|---|-------------------|-------------------|-----------------|--|----------|--------------|
| FUNCTIONAL SYMBOLS | THIS DRAWING CONTAINS INFORMATION THAT IS PROPRIETARY TO MOLEX ELECTRONIC TECHNOLOGIES, LLC AND SHOULD NOT BE USED WITHOUT WRITTEN PERMISSION | | CURRENT REV DESC: | | molex | | |
| | mm | 3:1 | | | | | |
| DIVISIONAL SYMBOLS | GENERAL TOLERANCES (UNLESS SPECIFIED) | | EC NO: 638342 | | HEADER OF NANO-FIT, D/R, R/A POWER CONNECTOR | | |
| | ANGULAR TOL ± 3.0° | | DRWN: GLLI | | 2020/05/27 | | |
| | 4 PLACES ± | APPR: YXZHENG | | 2020/06/03 | | | |
| | 3 PLACES ± 0.1 | INITIAL REVISION: | | 2019/06/12 | | | |
| | 2 PLACES ± 0.2 | DRWN: GLLI | | 2020/03/16 | | | |
| 1 PLACE ± 0.3 | APPR: YXZHENG | | DOCUMENT NUMBER | | DOC TYPE | DOC PART | REVISION |
| 0 PLACES ± | DRAFT WHERE APPLICABLE MUST REMAIN WITHIN DIMENSIONS | | 1053141000-SD | | PSD | 000 | B |
| THIRD ANGLE PROJECTION | | DRAWING | SERIES | MATERIAL NUMBER | CUSTOMER | | SHEET NUMBER |
|  | | A3-SIZE | 105314 | | GENERAL MARKET | | 4 OF 5 |

NOTES FOR ALL PARTS

1> MATERIAL:

HOUSING: LCP, UL 94V-0.
 TERMINAL: BRASS.

2> PLATING FINISHED:

TERMINAL:

CONTACT AREA: a. REFLOW MATTE TIN 1.5MICRONS MIN;
 b. GOLD 0.38 MICRONS MIN;
 c. GOLD 0.76 MICRONS MIN.

SOLDER AREA: MATTE TIN 1.5 MICRONS MIN, UNDER PLATING NICKEL 1.25 MICRONS MIN.

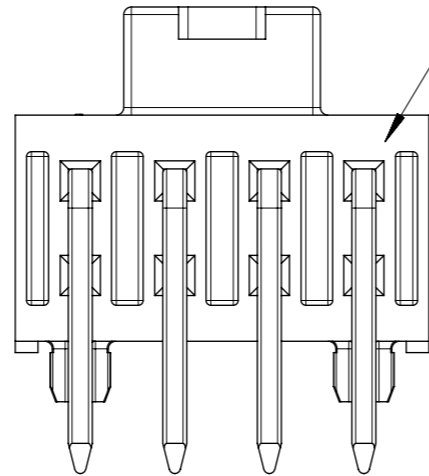
3> PRODUCT SPECIFICATION: PS-105300-100.

4> PACKAGE: TAPE REEL, DETAILS REFER TO DRAWING OF 1053141000-PK.

5> PRODUCT MATE WITH SERIES OF 105308(RECEPTACLE), 105300(CRIMP TERMINAL).

6> PARTS CONFORM TO CLASS 'B'REQUIREMENTS OF COSMETIC SPECIFICATION PS-45499-002.

7> DISCOLORATION IN THE BANDOLIER PIN CARRIER AREA OF THE PIN IS INHERENT TO THE PLATING PROCESS AND IS DUE TO THE MASKING DEFECT OF THE CARRIER, THIS DISCOLORATION IS IN A NON-FUNCTION AREA OF THE PIN AND WILL NOT AFFECT THE PERFORMANCE OF THE HEADER ASSEMBLY.



IF ANY NUMBER MARK APPEARS ON THIS SURFACE, PLEASE DISREGARD IT, IT IS NO ANY FUCTION AND NO ANY RELATION TO PIN NUMBER, IT IS JUST FOR MOLDING IDENTIFICATION.

| | | | | | |
|------------------------|---|---|--|-----------------|-----------------|
| FUNCTIONAL SYMBOLS | THIS DRAWING CONTAINS INFORMATION THAT IS PROPRIETARY TO MOLEX ELECTRONIC TECHNOLOGIES, LLC AND SHOULD NOT BE USED WITHOUT WRITTEN PERMISSION | | CURRENT REV DESC: | | molex |
| | $\nabla_A = 0$ $\nabla_B = 0$ $\nabla_C = 0$ | DIMENSION UNITS: mm SCALE: 1:1 | EC NO: 638342 DRWN: GLLI CHK'D: YXZHENG APPR: YXZHENG | | |
| DIVISIONAL SYMBOLS | GENERAL TOLERANCES (UNLESS SPECIFIED) | | INITIAL REVISION: | | DOCUMENT NUMBER |
| | ANGULAR TOL $\pm 3.0^\circ$ | | DRWN: GLLI | | |
| | 4 PLACES \pm | 3 PLACES ± 0.1 | APPR: YXZHENG | | DOC PART |
| | 2 PLACES ± 0.2 | 1 PLACE ± 0.3 | 2019/06/12 | | |
| 0 PLACES \pm | DRAFT WHERE APPLICABLE MUST REMAIN WITHIN DIMENSIONS | | 2020/03/16 | 1053141000-SD | |
| THIRD ANGLE PROJECTION | | DRAWING | SERIES | MATERIAL NUMBER | CUSTOMER |
| | | A3-SIZE | 105314 | GENERAL MARKET | 5 OF 5 |