

4

3

2

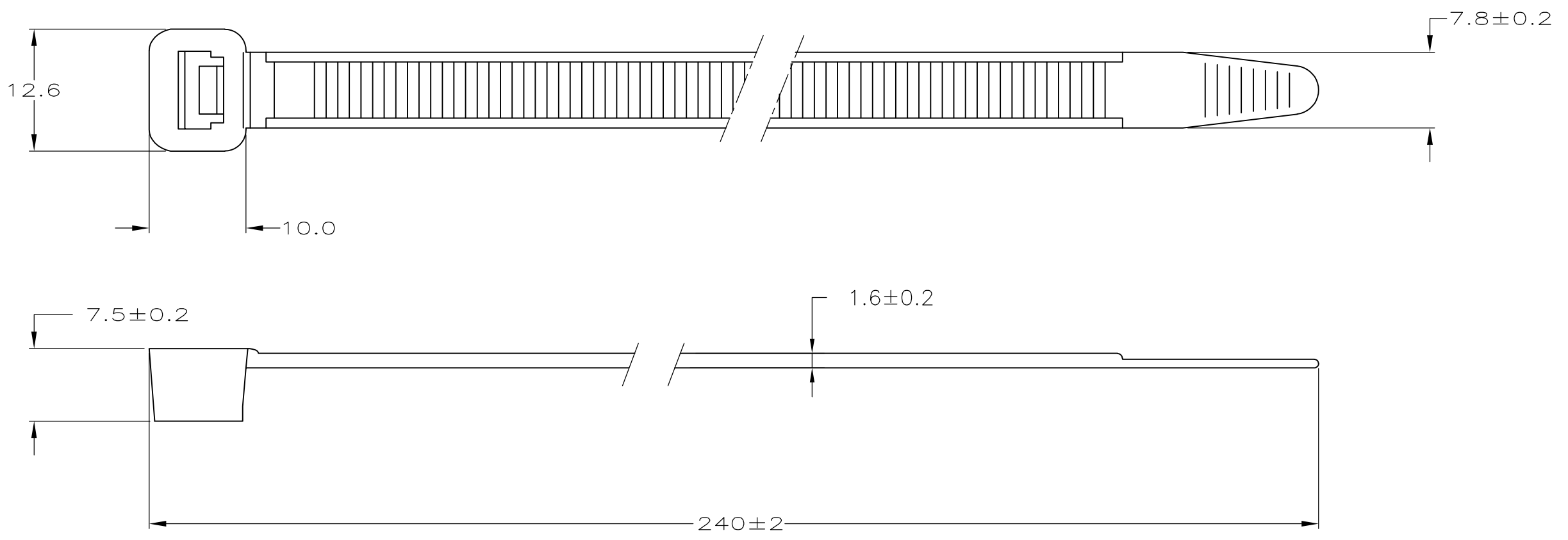
1

THIS DRAWING IS UNPUBLISHED. RELEASED FOR PUBLICATION
 © COPYRIGHT - By - ALL RIGHTS RESERVED.

LOC	DIST	REVISIONS				
P	LTR	DESCRIPTION	DATE	DWN	APVD	
H	-	C	VENDOR CHANGE; DIMENSION CHANGE ROLL BACK	30DEC2012	SP	RP

NOTES:

- 1 RANGE: $\phi 63$ MAX.
- 2 MIN. TENSILE STRENGTH 550N.
- $\triangle 3$ OBSOLETE



100	BLACK	POLYAMIDE 6.6	2-160981-2
100	NATURAL	POLYAMIDE 6.6	$\triangle 3$ 2-160981-1
QTY	FINISH	MATERIAL	PART NUMBER

THIS DRAWING IS A CONTROLLED DOCUMENT.		DWN	J.V.D.HEIJDEN.	27-02-92	STE TE Connectivity													
DIMENSIONS: mm		CHK	R.VOS.	-														
TOLERANCES UNLESS OTHERWISE SPECIFIED:		APVD	L.V.SOEST.	-	NAME													
<table border="0"> <tr><td>0 PLC</td><td>± -</td></tr> <tr><td>1 PLC</td><td>± 0.4</td></tr> <tr><td>2 PLC</td><td>± -</td></tr> <tr><td>3 PLC</td><td>± -</td></tr> <tr><td>4 PLC</td><td>± -</td></tr> <tr><td>ANGLES</td><td>± -</td></tr> </table>		0 PLC	± -	1 PLC	± 0.4	2 PLC	± -	3 PLC	± -	4 PLC	± -	ANGLES	± -	PRODUCT SPEC		CABLE TY.		
0 PLC	± -																	
1 PLC	± 0.4																	
2 PLC	± -																	
3 PLC	± -																	
4 PLC	± -																	
ANGLES	± -																	
MATERIAL		APPLICATION SPEC		RESTRICTED TO														
SEE TABLE		FINISH		SEE TABLE														
		WEIGHT	-		SIZE	A3	CAGE CODE	00779	DRAWING NO	C-160981								
		CUSTOMER DRAWING			SCALE	NTS	SHEET	1 OF 1	REV	C								