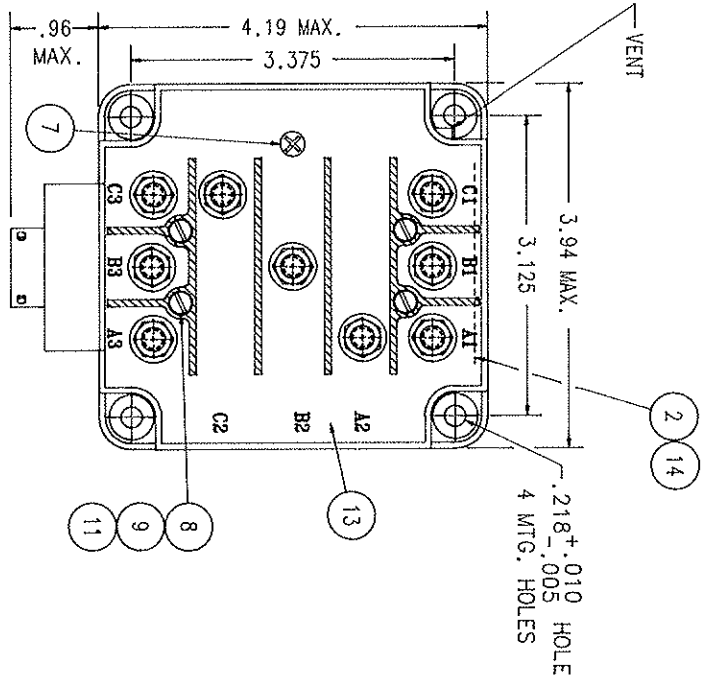
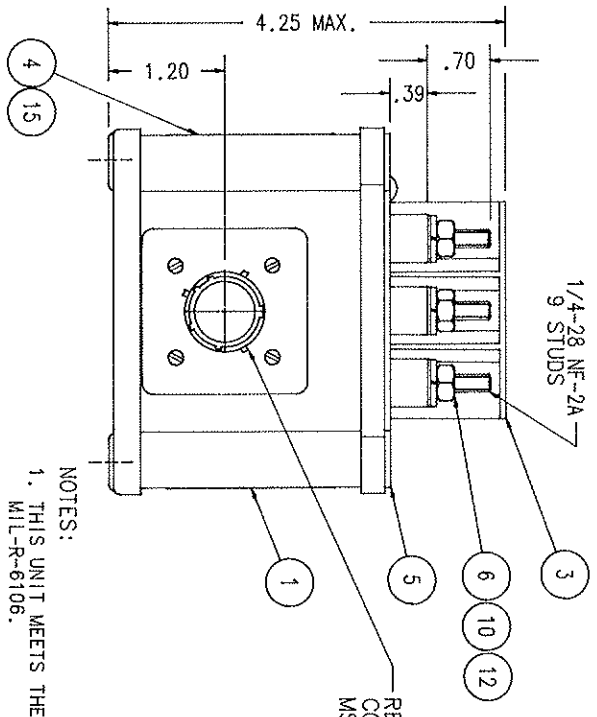


REV.	DESCRIPTION	DATE	APPROVED
G	23455 ITEM 13 WAS -52516-0077 ADD CONNECTOR REF.	93/04/27	WS
H	33420 FIND NOS 14 & 15 ADDED	97/08/04	WS



CONSTRUCTION  
 MAIN CONTACTS  
 CONFIGURATION  
 VOLTAGE  
 CURRENT  
 RES:  
 IND:  
 INTERR:  
 AUXILIARY CONTACTS  
 CONFIGURATION  
 VOLTAGE  
 CURRENT  
 RES:  
 IND:  
 LAMP:  
 COIL DATA  
 DUTY CYCLE  
 OPER. COIL VOL.T.  
 PICKUP MINIMUM  
 DROP-OUT VOLTAGE  
 LIFE ELECTRICAL  
 MECHANICAL  
 ENVIRONMENTAL DATA  
 OPERATING TEMP.  
 VIBRATION  
 TRANSFER TIME  
 SHOCK  
 ACCELERATION  
 ALTITUDE  
 MAX. WEIGHT

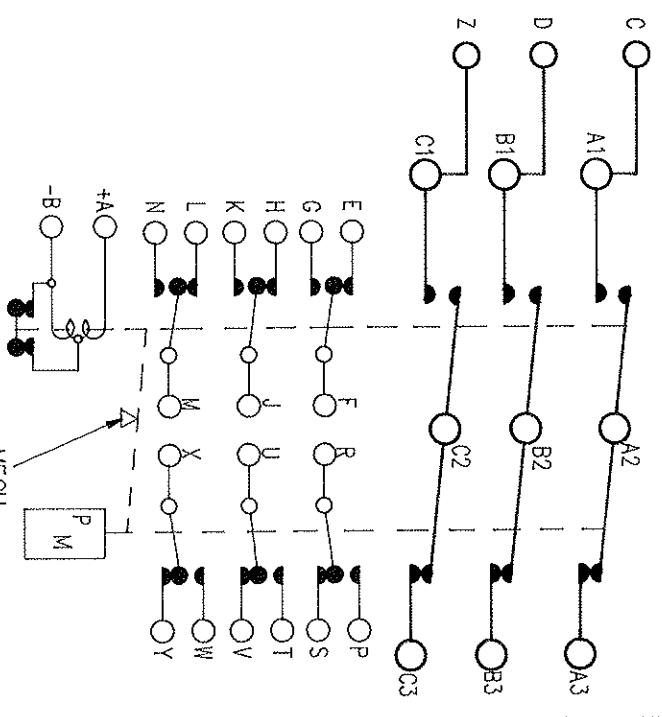


NOTES:  
 1. THIS UNIT MEETS THE APPLICABLE PORTIONS OF MIL-R-6106.  
 2. MECH. INTERLOCK PREVENTS SIMULTANEOUS CLOSING OF BOTH SETS OF CONTACTS.  
 3. \*DANGER HIGH VOLTAGE\* TO BE STAMPED ON TERMINAL SHIELD.  
 4. ALL UNITS AFTER SERIAL NO. C-3-54900 SHALL HAVE THE LETTER 'A' AT THE END OF THE SERIAL NO.

REF. CONNECTOR  
 MS312E-16-26P

GASKET SEALED AND VENTED  
 3 PDT SIDE STABLE  
 115/200 VOLTS FREQ. 400 HZ  
 120 AMP  
 120 AMP  
 840 AMP  
 6 PDT  
 28 VDC OR 115V 400 HZ  
 5 AMP  
 3 AMP  
 2 AMP  
 CONTINUOUS (ECONOMIZING)  
 28 VDC NOMINAL 30 VDC MAX.  
 18 VDC AT 71° C  
 7 VDC TO 1 VDC  
 50,000 CYCLES MIN.  
 100,000 CYCLES MIN.  
 -55° C TO 71° MAX.  
 PER RANGE CURVE  
 OF SPEC. ADZS205  
 15 MS MAX. AT 25.8 VDC  
 25 G'S FOR 6 TO 9 MSEC.  
 10 G'S MAX  
 50,000 FEET MAX.  
 3 LBS. 3 OZ.

CONFIGURATION CONTROLLED



15	1	39529-023	OVERLAY-WIRING DIAGRAM				
14	1	39529-001	OVERLAY-NAME PLATE				
13	1	36180-040	CONTACTOR ASSEMBLY - PRIMARY				
12	9	51807-034	WASHER - LOCK 1/4 SPLIT				
11	4	51805-011	WASHER - LOCK NO.5 SPLIT				
10	9	51703-064	WASHER - FLAT 1/2 X 11/64 X .032				
9	4	51701-180	WASHER - CAPTIVATING				
8	4	51205-391	SCREW - 5-40 X 1 1/8 RD. HD.				
7	1	51200-020	SCREW - NO.4 X 1/4 PAN HD.				
6	9	50407-074	NUT - 1/4-28 X 3/8 X 3/16 HEX.				
5	1	27136-001	PLATE - BASE COVER				
4	1	32214-001	PLATE - WIRING DIAGRAM				
3	1	26427-003	SHIELD - TERMINAL				
2	1	16043-001	PLATE - NAME				
1	1	12771-001	PLATE - WARNING				

FIND NO	QTY	PART OR IDENTIFYING NO	NDENCIATURE OR DESCRIPTION	FSM NO	DRAWING OR SPECIFICATION	MATERIAL OR NOTE
UNLESS OTHERWISE SPECIFIED DIMENSIONS ARE IN INCHES (FRACTIONS OR DECIMALS OR ANGLES)						
2 PL. DEC. 13 PL. DEC. ANGLES						
±.03 * .010 * 1°						
VERT. REF. ADZS205-2						
DR BY RLS 97/08/15						
CHK BY WS 97/08/15						
ENGR WS 97/08/15						
MFG 97/08/15						
RELEASE 97/08/15						
CONTR NO.						
GOVT APPL						
HARTMAN ELECTRICAL MANUFACTURING MANSFIELD, OHIO						
CONTACTOR 3PDT, SIDE STABLE 120 AMP, 115/200V, 400 HZ						
SIZE CODE IDENT DWG NO. B-233P						
C 74063						
SCALE NONE SHEET						