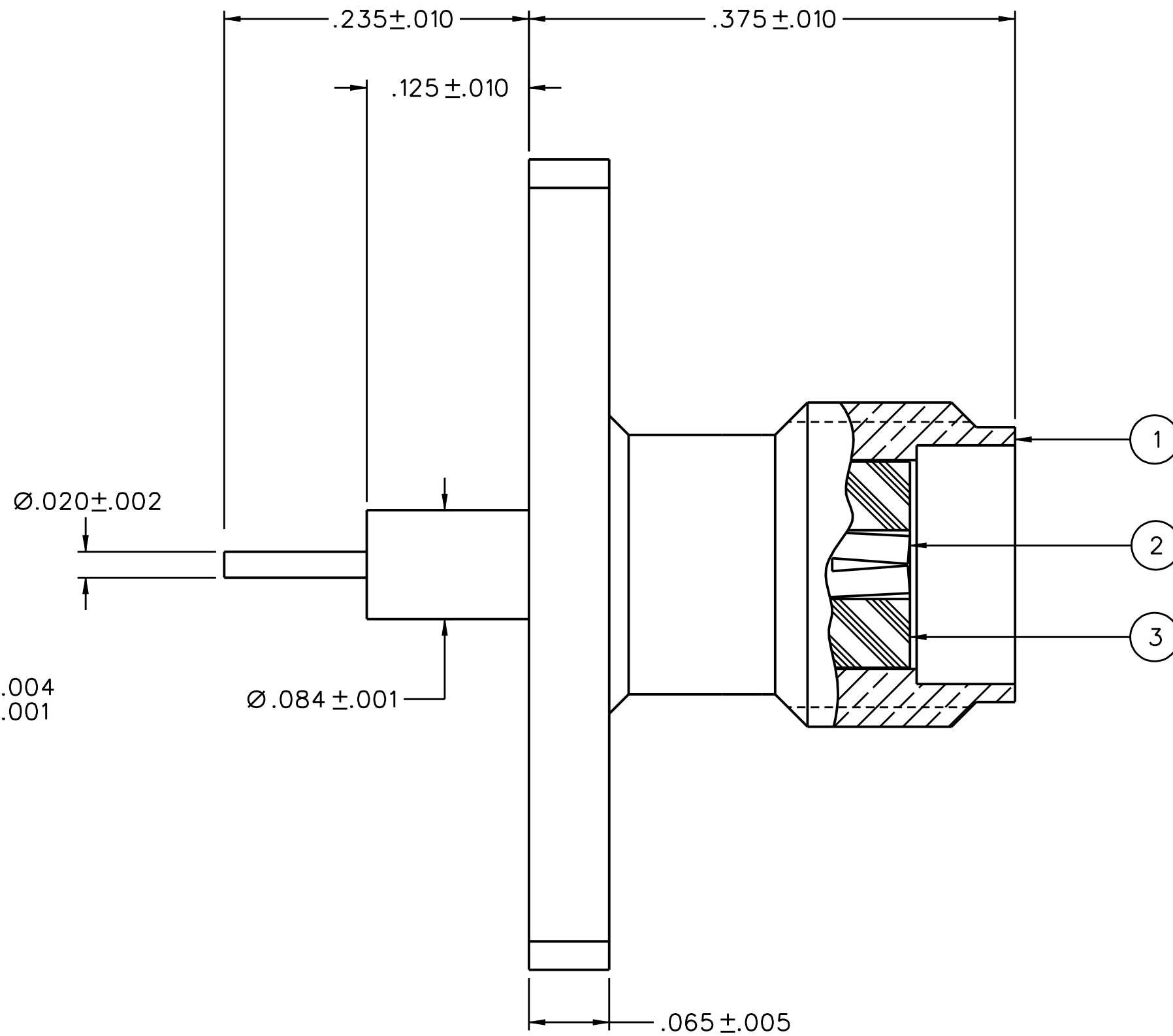
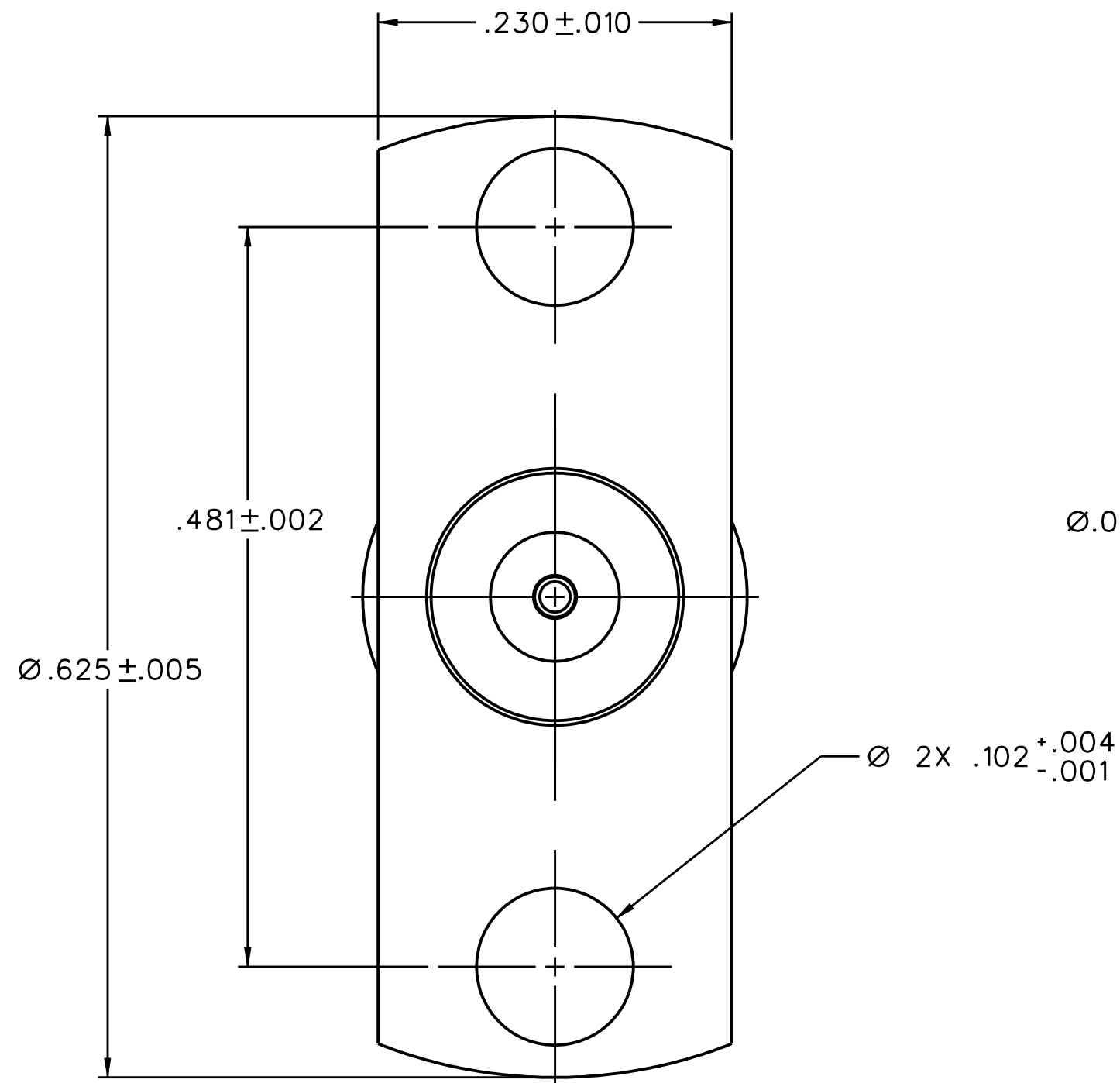


| PART NUMBER  | ITEM ①<br>BODY  | ITEM ②<br>CONTACT  | ITEM ③<br>INSULATOR |
|--------------|---|--|---------------------|
| 142-1701-331 | BRASS<br>GOLD PL .00001 MIN OVER<br>NICKEL PL .00005 MIN OVER<br>COPPER PL .00005 MIN | BERYLLIUM COPPER<br>GOLD PL .00005 MIN OVER<br>NICKEL PL .00005 MIN OVER<br>COPPER PL .00005 MIN | TEFLON              |
| 142-1701-336 | BRASS<br>NICKEL PL .0001 MIN OVER<br>COPPER PL .00005 MIN                             | BERYLLIUM COPPER<br>GOLD PL .00005 MIN OVER<br>NICKEL PL .00005 MIN OVER<br>COPPER PL .00005 MIN | TEFLON              |

|                                     |                                |
|-------------------------------------|--------------------------------|
| DRAWING NO.<br>C - 142-1701-331/340 |                                |
| 0                                   | REVISIONS                      |
| ENGINEERING RELEASE                 |                                |
| I                                   | 11-8-04 RJB 11-15-04 ECN 49533 |



NOTES:

1. SPECIFICATIONS:

IMPEDANCE: 50 OHMS  
 FREQUENCY RANGE: 0-18 GHz  
 VSWR: DEPENDENT UPON APPLICATION  
 WORKING VOLTAGE: 335 VRMS MAX AT SEA LEVEL  
 DIELECTRIC WITHSTANDING VOLTAGE: 1000 VRMS MIN AT SEA LEVEL  
 INSULATION RESISTANCE: 5000 MEGOHM MIN  
 CONTACT RESISTANCE:  
 CENTER CONTACT - INITIAL 3.0 MILLIOHM MAX, AFTER ENVIRONMENTAL 4.0 MILLIOHM MAX  
 OUTER CONDUCTOR - INITIAL 2.0 MILLIOHM MAX AFTER ENVIRONMENTAL NOT APPLICABLE  
 BRAID TO BODY - NOT APPLICABLE  
 CORONA LEVEL: 250 VOLTS MIN AT 70,000 FEET  
 INSERTION LOSS: DEPENDENT UPON APPLICATION  
 RF LEAKAGE: -70 dB MIN AT 2.5 GHz  
 RF HIGH POTENTIAL WITHSTANDING VOLTAGE: 670 VRMS MIN AT 4 AND 7 MHz

MECHANICAL:

ENGAGE/DISENGAGE TORQUE: 2 INCH-POUNDS MAX  
 MATING TORQUE: 7-10 INCH POUNDS  
 COUPLING PROOF TORQUE: NOT APPLICABLE  
 COUPLING NUT RETENTION: NOT APPLICABLE  
 CONTACT RETENTION: 6 LBS MIN AXIAL FORCE, 4 IN-OZ MIN RADIAL TORQUE  
 CABLE ACCEPTABILITY: NOT APPLICABLE  
 CABLE HEX CRIMP SIZE: NOT APPLICABLE  
 CABLE RETENTION: NOT APPLICABLE  
 DURABILITY: 500 CYCLES MIN

ENVIRONMENTAL:


(MEETS OR EXCEEDS THE APPLICABLE PARAGRAPH OF MIL-PRF-39012)  
 THERMAL SHOCK: MIL-STD-202, METHOD 107, CONDITION B  
 OPERATING TEMPERATURE: -65 DEG C TO 165 DEG C  
 CORROSION: MIL-STD-202, METHOD 101, CONDITION B  
 SHOCK: MIL-STD-202, METHOD 213, CONDITION I  
 VIBRATION: MIL-STD-202, METHOD 204, CONDITION D  
 MOISTURE RESISTANCE: MIL-STD-202, METHOD 106

CUSTOMER DRAWING

THIS DRAWING TO BE INTERPRETED PER ANSII Y 14.5M - 1982

"μSTATION"

COMPANY CONFIDENTIAL

|                                      |       |              |            |   |   |
|--------------------------------------|-------|--------------|------------|---|---|
| TOLERANCE UNLESS OTHERWISE SPECIFIED |       | DRAWN BY     | DATE       |  <b>cinch</b><br><small>CONNECTIVITY SOLUTIONS</small><br><small>a bel group</small> | P.O. Box 1732<br>Waseca, MN 56093<br>1-800-247-8256 |
| DECIMALS                             | mm    | RJB          | 11-8-04    |   |   |
| .XX                                  | _____ | CHECKED BY   | DATE       | TITLE<br>JACK ASSEMBLY, 2 HOLE FLANGE MOUNT, .020 PIN EXTENDED DIELECTRIC SMA   |   |
| .XXX                                 | _____ | APPROVED BY  | DATE       |   |   |
| MATL                                 | _____ | RJB          | 11-15-04   | SHEET<br>2 OF 2   |   |
| FINISH                               | _____ | RELEASE DATE | 11-15-04   |   |   |
|                                      |       | U/M INCH     | SCALE 10:1 | DRAWING NO.<br>C - 142-1701-331/340   |   |