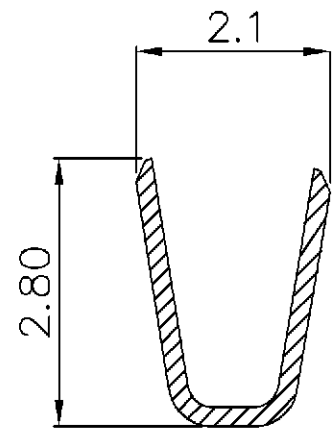
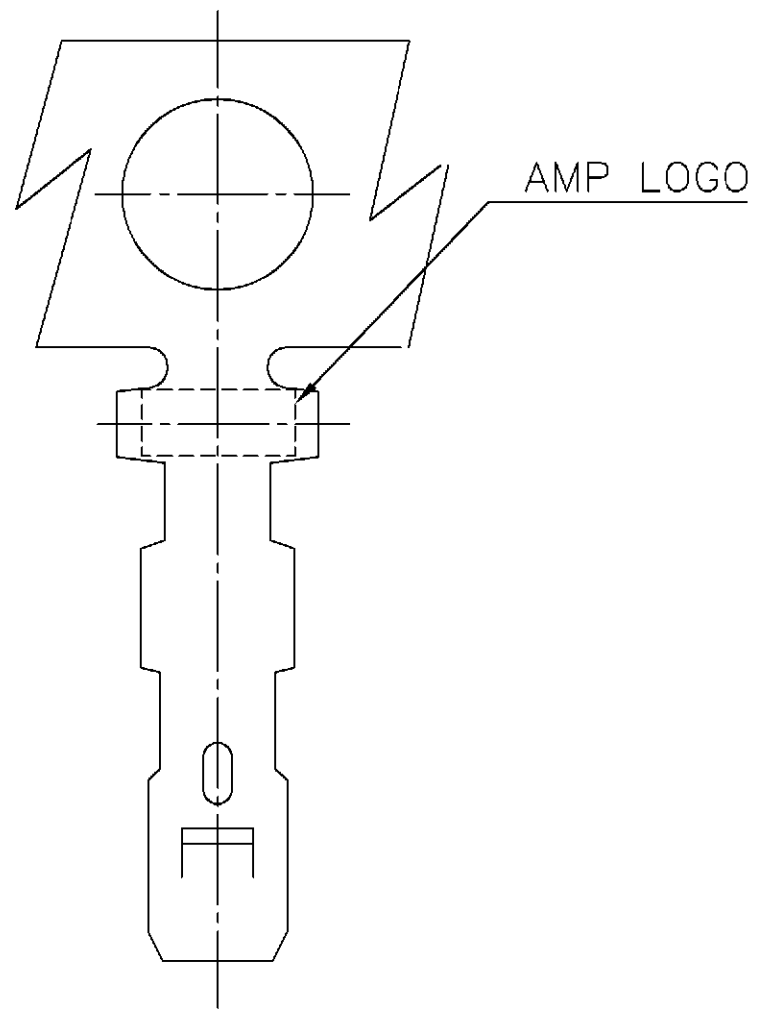
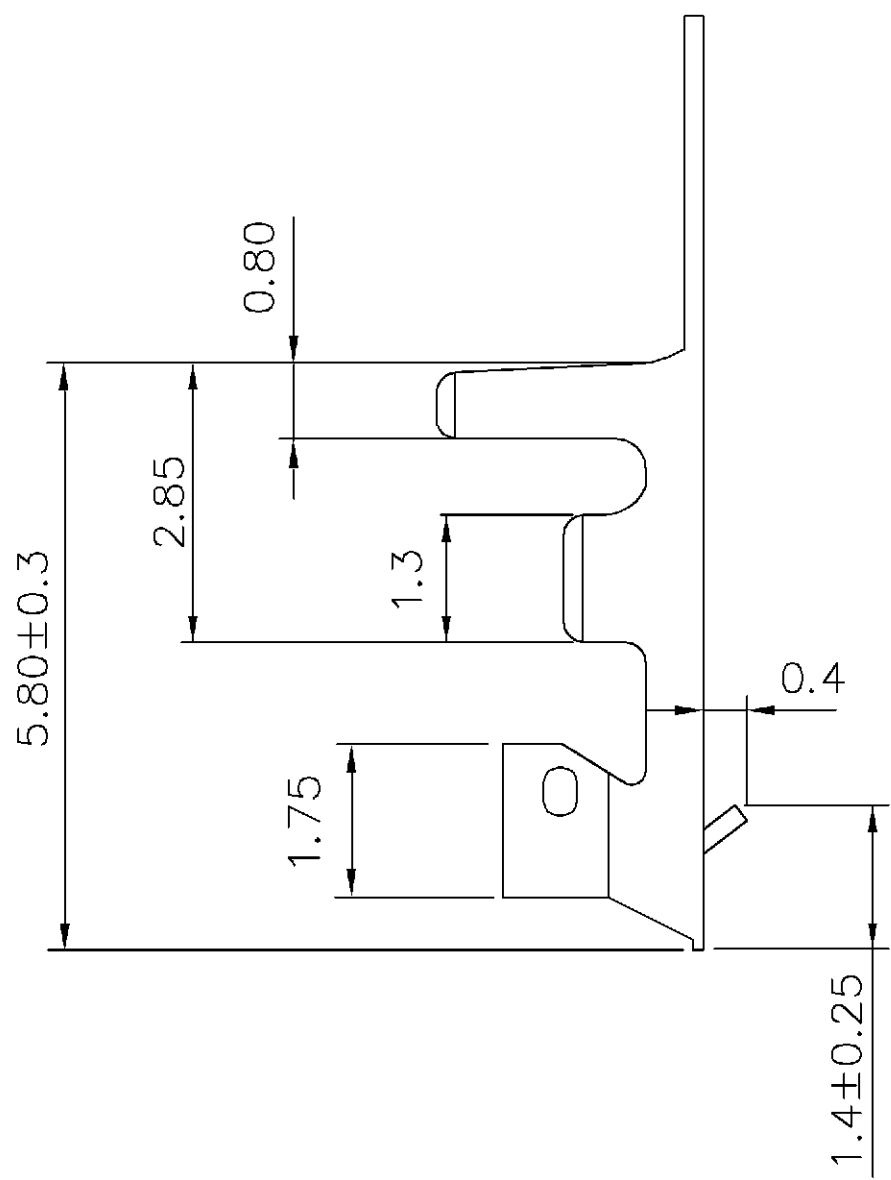
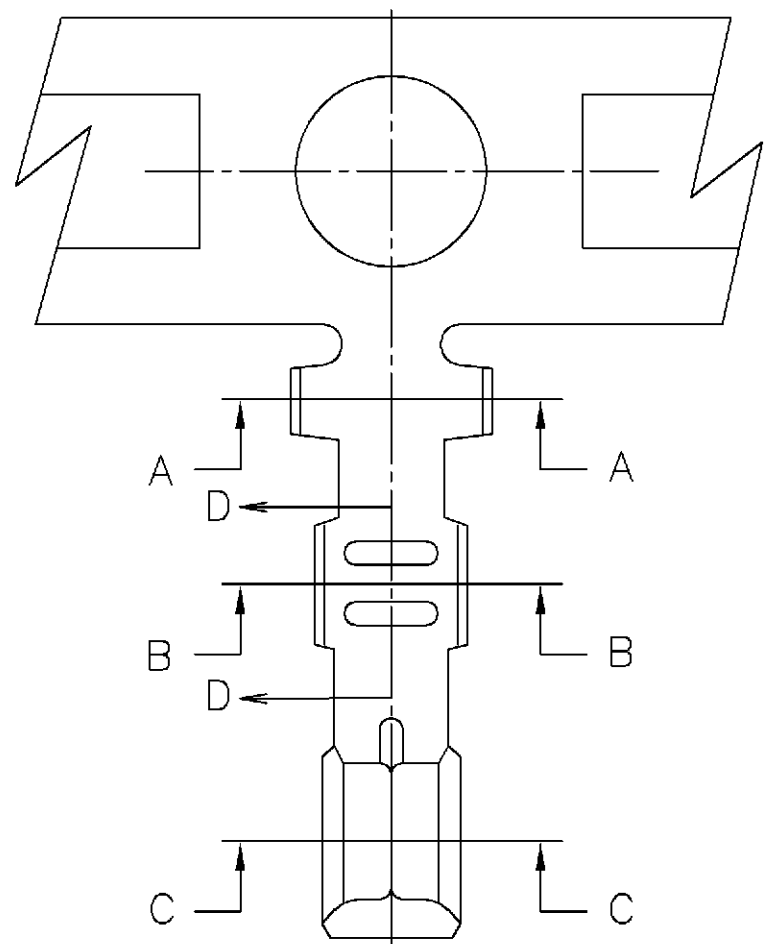
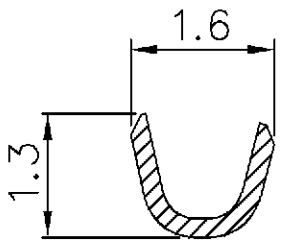


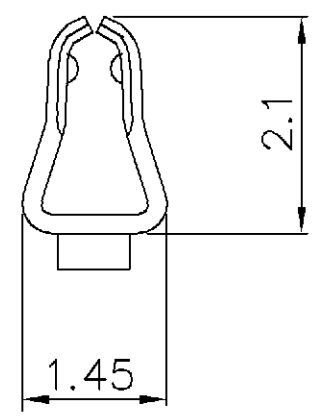
THIS INFORMATION IS CONFIDENTIAL AND IS DISCLOSED TO YOU ON CONDITION THAT NO FURTHER DISCLOSURE IS MADE BY YOU TO OTHER THAN AMP PERSONNEL WITHOUT WRITTEN AUTHORIZATION FROM AMP (TAIWAN) LTD. DIMENSIONS IN MILLIMETERS. DO NOT SCALE PRINT.



SEC A-A



SEC B-B



SEC C-C

- NOTE:
1. MATERIAL: PHOSPHOR BRONZE, THICKNESS: 0.20mm.
  2. FINISH: PRE-TIN PLATED.
  3. ACCEPTS HOUSING: 440129
  4. APPLICABLE WIRES: AWG #30-#24
  5. INSULATION O.D.: 0.9 TO 1.5mm
  6. Q'TY/REEL: 10,000 PCS.
  7. GENERAL TOLERANCE: ±0.3

440132-1  
 PART NUMBER

TOLERANCES UNLESS OTHERWISE SPECIFIED: 0 PLC ± 1 PLC ± 2 PLC ± 3 PLC ± ANGLES ±	DWN O. HU 28-OCT-2002 CHK J. CHENG 28-OCT-2002	TYCO HOLDINGS (BERMUDA) VII LTD. TAIWAN BRANCH NAME 2.0 MM PITCH HPI CRIMP CONTACT.
MATERIAL SEE NOTE	APVD J. WU 28-OCT-2002 PRODUCT SPEC 108-57100	
FINISH SEE NOTE	APPLICATION SPEC 114-57011	LOC DW SCALE
	WEIGHT	DRAWING NO C-440132 REV B SHEET 1 OF 1

B	REVISED	FZ00-0230-02	OH JC	30OCT 2002
LTR	REVISION RECORD	ECN	DWN CHK	DATE