

# 4" LED ARCHITECTURAL CAN & FRAME IN KIT

Project:	
Type:	
Catalog #:	

## STANDARD



The Energy Star CLADL4 series is a 4" commercial grade architectural can & frame in kit. Built for commercial use with architectural frames and a deep cone reflector for precision light. This high-efficiency luminaire provides long life - offered two wattages and color temperatures.

## FEATURES

- Architectural frames
- C channel and flat hanger bars for tie down to ceiling grids.
- 21 Watt available in 3000K.
- 28 Watt available in 4000K.
- Junction box is mounted on the frame for easy wiring, driver access for installation, and replacement.
- Diecast aluminum heatsink dissipates heat from the LED board.
- Self-flanged aluminum reflector with a frosted lens to shield direct view of LEDs.
- Universal 120-277 AC voltage (50/60Hz)
- 0-10V dimming
- Color rendering index  $\geq 80$ .
- Long life LEDs - up to 50,000hours.
- Operation Temp.  $-30^{\circ}\text{C} \sim 40^{\circ}\text{C}$  ( $-22^{\circ}\text{F} \sim 104^{\circ}\text{F}$ ).

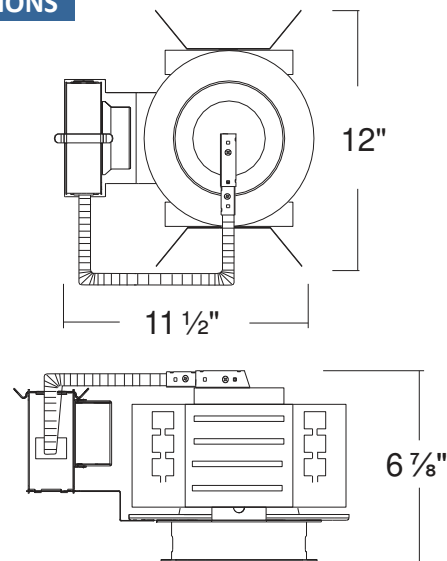


Image shown with trim & frame.

## WARRANTY & LISTINGS

- cULus Listed.
- Energy star listed.
- Suitable for wet locations (not suitable for coastal/salt water areas).
- Suitable for damp locations.
- RoHS compliant.
- 5-year warranty of all electronics and housing.

## DIMENSIONS



## ORDERING INFORMATION

### Trim Models

Model	Color Temperature	Luminaire Lumens	Luminaire Watts	Lumens/Watt
CLADL4-2130-T	3000k	1590	21	76
CLADL4-2840-T	4000k	1940	28	69

### Frame Models

Luminaire Wattage	Frame Required
21	CLADL4-2130-F
28	CLADL4-2840-F