

IP67 Sealed Radial Tactile

Specifications

Electrical Ratings	50mA @ 48VDC	Actuator Travel	.25 ± 0.10mm
Electrical Life	500,000 cycles typical	Dielectric Strength	250Vrms min
Contact Resistance	<50mΩ initial	Insulation Resistance	>100MΩ min
Actuation Force	160 ± 50gF	Operating Temperature	-40°C to 85°C
	260 ± 50gF	Storage Temperature	-40°C to 85°C
		Sealing Degree	IP67

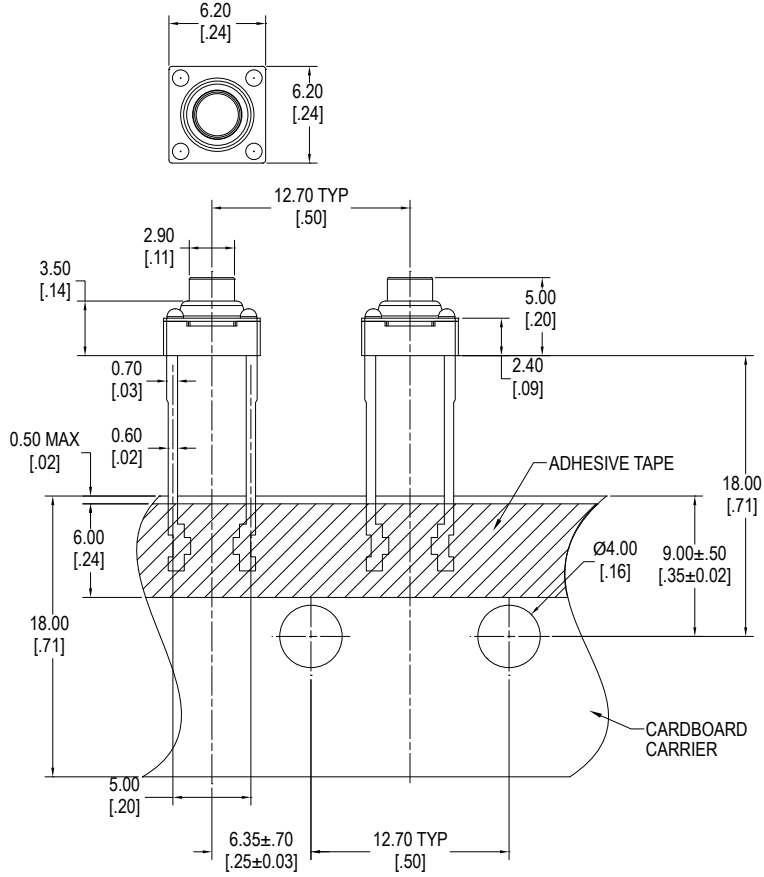
Materials

Actuator	Polybutylene Terephthalate (PBT)
Housing	Polybutylene Terephthalate (PBT)
Seal	Silicone, Rubber
Cover	Brass, Tin Plated
Contacts	Stainless Steel, Silver Plated
Terminals	Copper Alloy, Silver Plated

Ordering Information

1. Series	STK	5.0	L	G
STK				
2. Actuator Height				
4.3 = 4.3mm				
5.0 = 5.0mm				
7.0 = 7.0mm				
3. Contact Options				
L = Stainless Steel dome				
4. Actuation Force				
F160 = 160gF				
F260 = 260gF				

Dimensions



Schematic & PC Layout

