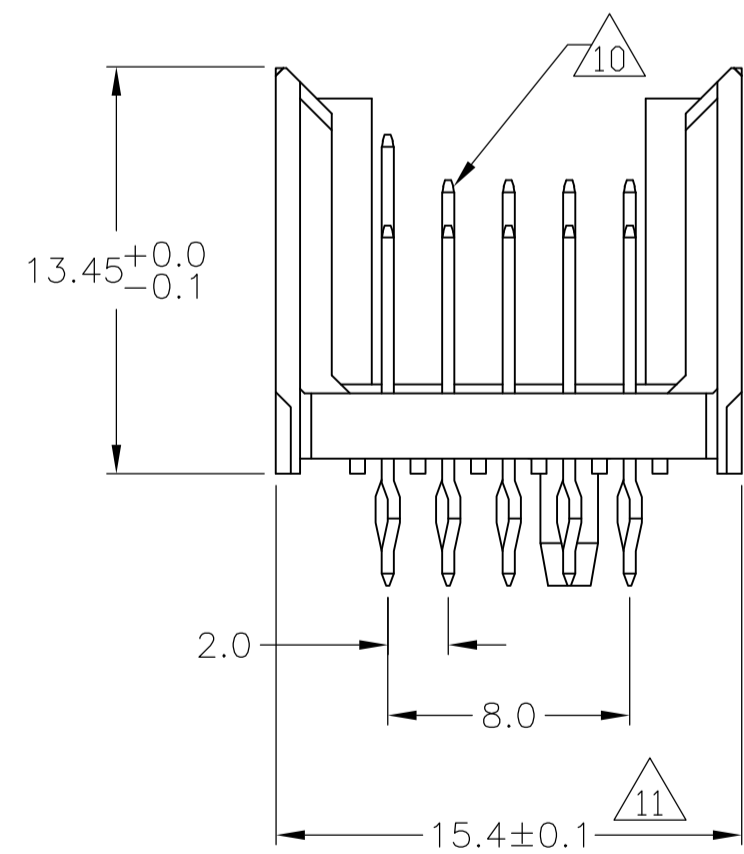
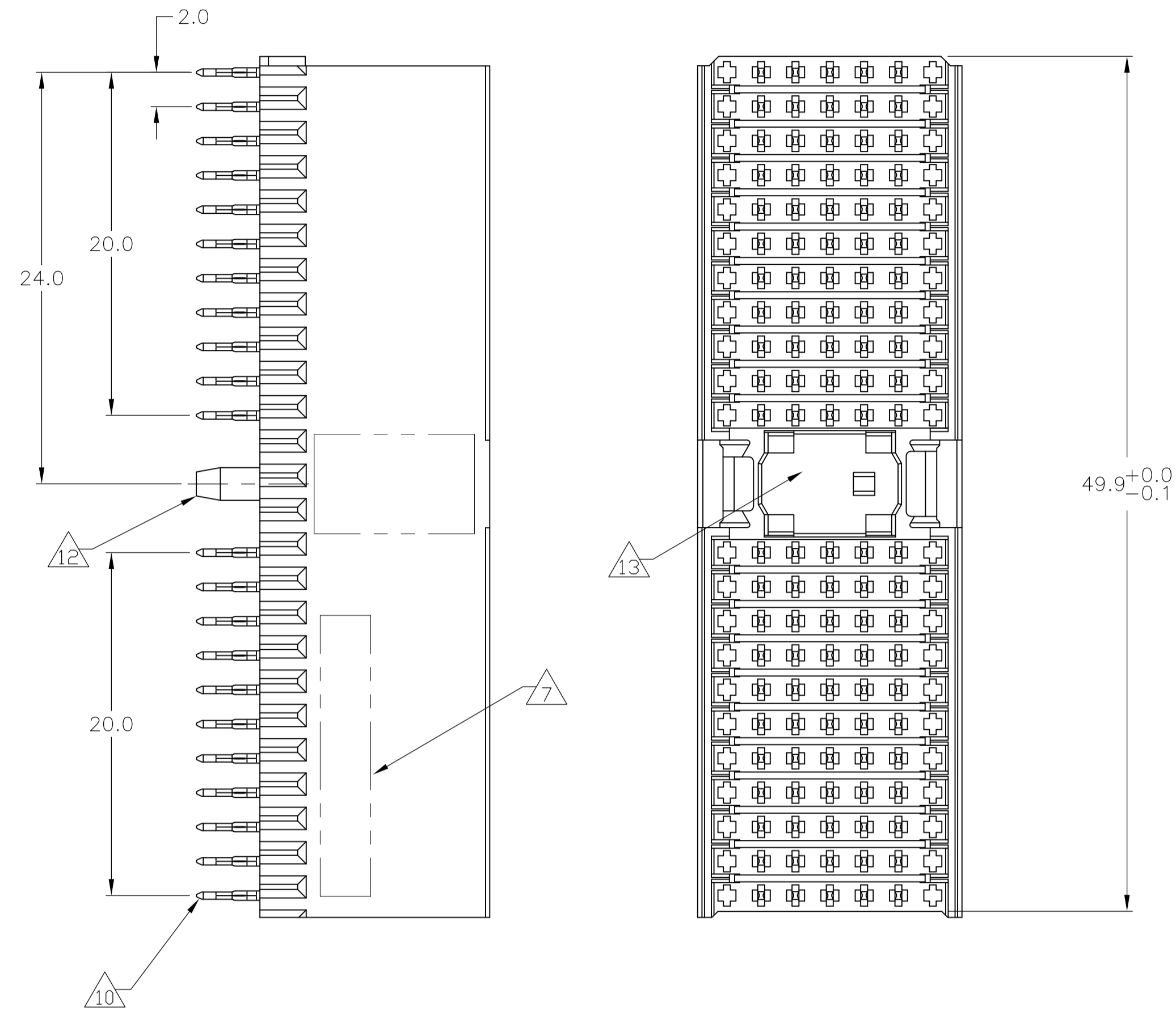
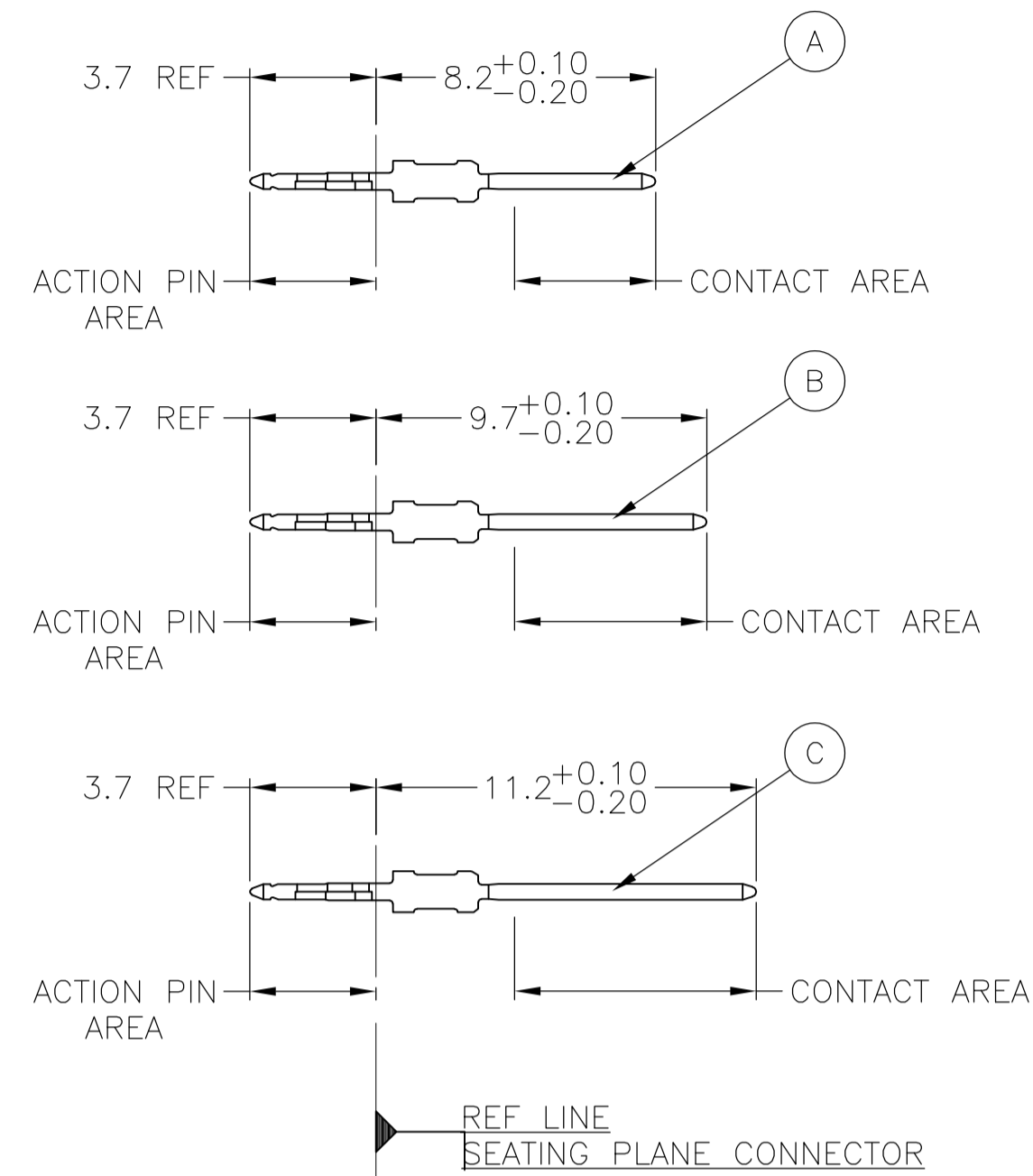


CONNECTOR ASSEMBLY EXAMPLARY LOADED



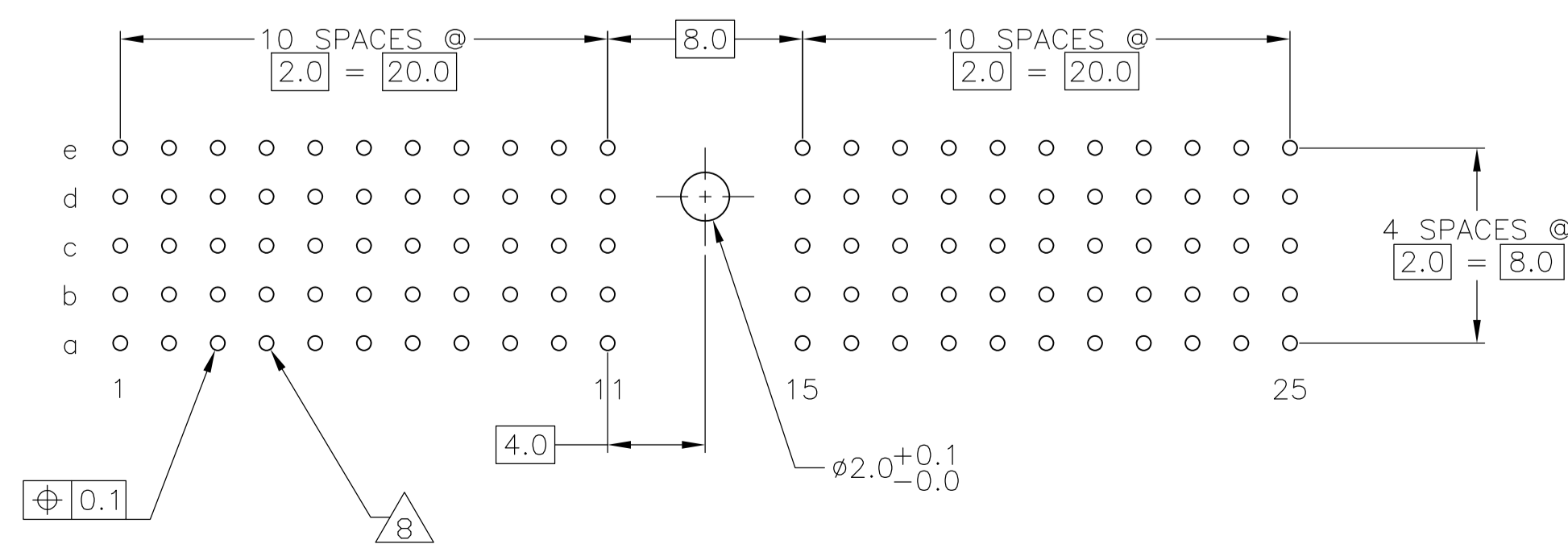
CONTACT DIMENSIONS SCALE 5:1



CONTACT LAYOUT

	z	a	b	c	d	e	f
1	A	A	A	A	A		
2	A	A	A	A	A		
3	A	A	A	A	A		
4	A	A	A	A	A		
5	A	A	A	A	A		
6	A	A	A	A	A		
7	A	A	A	A	A		
8	A	A	A	A	A		
9	A	A	A	A	A		
10	C	B	B	B	B		
11	C	B	B	B	B		
MULTI PURPOSE CENTER							
15	C	B	B	B	B		
16	C	B	B	B	B		
17	A	A	A	A	A		
18	A	A	A	A	A		
19	A	A	A	A	A		
20	A	A	A	A	A		
21	A	A	A	A	A		
22	A	A	A	A	A		
23	A	A	A	A	A		
24	A	A	A	A	A		
25	A	A	A	A	A		

RECOMMENDED PCB-HOLE LAYOUT COMPONENT SIDE SHOWN



PLATED THRU HOLES PARAMETERS

REFERENCE APPLICATION SPECIFICATION

2	6	14	1-5188733-9
2	5	14	-5188733-9-
2	4		5188733-4
2	3		5188733-1
FINISH			PART NUMBER

THIS DRAWING IS A CONTROLLED DOCUMENT.		DIN B CARBO GSKIPPER	OSMAYOS	Tyco Electronics Corporation Harrisburg, Pa 17105-3608	
DIMENSIONS: mm		TOLERANCES UNLESS OTHERWISE SPECIFIED:		NAME: MALE ASSEMBLY, Z-PACK 2mm HM, TYPE A	
0-PLC ±		±0.2		APPLICATION SPEC: 108-19082	
1-PLC ±				SIZE: A1	
2-PLC ±				CAGE CODE: 00779	
3-PLC ±				DRAWING NO: 5188733	
4-PLC ±				RESTRICTED TO: -	
ANGLES ±				WEIGHT: -	
MATERIAL: 1		FINISH: SEE TABLE		CUSTOMER DRAWING	
				SCALE: 4:1	
				SHEET: 1 OF 2	
				REV: C	

LOC		DIST		REVISIONS				
P	LTR	DESCRIPTION	DATE	DN	APVD			
-	-	SEE SHEET 1	-	-	-			

- 1 MATERIAL:
CONTACT: PHOSPHOR BRONZE.
HOUSING: GLASS-FILLED POLYESTER.
- 2 GENERAL PLATING SPECIFICATION: UNDERPLATING
(ENTIRE CONTACT): 1.27µm MIN NICKEL AND ACTION
PIN: 0.5µm MIN TIN.
FOR PLATING OF MATING SURFACES SEE APPLICABLE
SPECIFICATION REFERENCE FOR EACH DASH NUMBER.
- 3 CONFORMS TO ALL TESTING ACCORDING TO IEC 61076-4-101
PERFORMANCE LEVEL 2.
- 4 CONFORMS TO ALL TESTING ACCORDING TO IEC 61076-4-101
PERFORMANCE LEVEL 1.
- 5 CONNECTOR TESTED AND QUALIFIED AGAINST TELCORDIA GR-1217-CORE QUALITY LEVEL 3,
CENTRAL OFFICE APPLICATIONS.
- 6 CONNECTOR TESTED AND QUALIFIED AGAINST TELCORDIA GR-1217-CORE QUALITY LEVEL 3,
UNCONTROLLED ENVIROMENT APPLICATIONS.
- 7 CONNECTOR MARKED WITH PART NUMBER AND DATE CODE.
ADDITIONAL CHARACTERS OR MARKINGS, AS WELL AS THE LOCATION OF THE MARKINGS,
MAY BE ADDED FOR TRACEABILITY BASED UPON MANUFACTURERS DISCRETION.
- 8 PLATED-THROUGH HOLES AT 2x2mm SQUARE GRID
PATTERN DEFINED BY CONTACT LAYOUT.
- 9 FOR ACTUAL PIN LOADING SEE "CONTACT LAYOUT".
- 10 FOR ACTUAL PIN DIMENSIONS SEE "CONTACT DIMENSIONS".
- 11 TO BE MEASURED AT BOTTOM OF SHROUD.
- 12 POLARIZATION FEATURE.
- 13 AREA RESERVED FOR KEYING PART (BASIC P/N 100525).
- 14 CONNECTOR LUBRICATED WITH BELCORE APPROVED LUBRICANT,
TECHNICAL REFERENCE: TR-NWT-001217 ISSUE 1, SEP 1992.
- 15 OBSOLETE PARTS: OBSOLETE CIS STREAMLINING PER D.RENAUD/D.SINISI

THIS DRAWING IS A CONTROLLED DOCUMENT.		DIN B CARBO DSMAY05		Tyco Electronics Corporation Harrisburg, Pa 17105-3608	
DIMENSIONS: mm		TOLERANCES UNLESS OTHERWISE SPECIFIED: 0-PLC ± 1-PLC ±0.1 2-PLC ± 3-PLC ± 4-PLC ± ANGLES		G.SKIPPER DSMAY05	
		±0.2		NAME MALE ASSEMBLY, Z-PACK 2mm HM, TYPE A	
MATERIAL SEE SHEET 1		FINISH SEE SHEET 1		PRODUCT SPEC 108-19082	
		APPLICATION SPEC 114-19029		RESTRICTED TO	
		WEIGHT -		SIZE CAGE CODE DRAWING NO A1 00779 C=5188733	
		CUSTOMER DRAWING		SCALE 4:1 SHEET 2 OF 2 REV C	