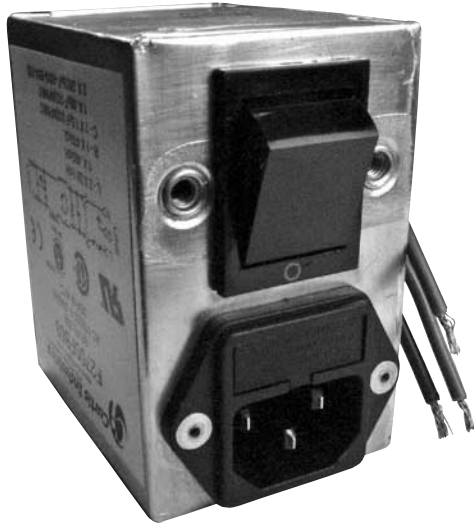


# F2700 RFI Filters



## Features:

- Designed for FCC "B" and VDE "B" Switching Power Supply Applications
- Very High Inductance Design with Differential Mode Choke to Provide Improved Performance Below 100KHz
- Compact, Space-Efficient Package Available in 3 and 6Amp Ratings
- Also Available with Integral Fused IEC Connector and "ON/OFF" Power Switch

## Specifications:

**Rated Voltage:** 250VAC Maximum - 50/60 Hz

**Rated Current:**

115VAC	250VAC
3A	2A
6A	4A

**Current Overload:** 6X for 8 seconds

**Hi-Pot Test (1 min):**

Line to Ground	1500VAC
Line to Line	1768VDC

**Insulation Resistance:**  $9 \times 10^9 \Omega$  at 100VDC

**Ambient Temperature:** 40°C Max. at rated current

**Humidity Range:** 0% to 95% R.H.

**Termination:**

- A: QC – Quick Connect
- B: Wire
- C: IEC Receptacle
- F: Fused IEC

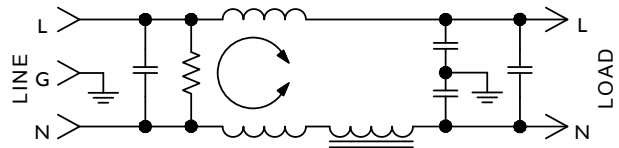
**Maximum Leakage Current:**

Each Line to Ground	<b>F2700</b>
115VAC, 60Hz:	0.25mA
250VAC, 50Hz:	0.40mA

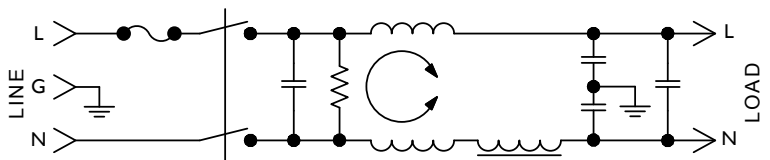
**Agency Approvals:**



## F2700 Without Switch Simplified Schematic



## F2700 Without Switch Simplified Schematic (3Amp Only)

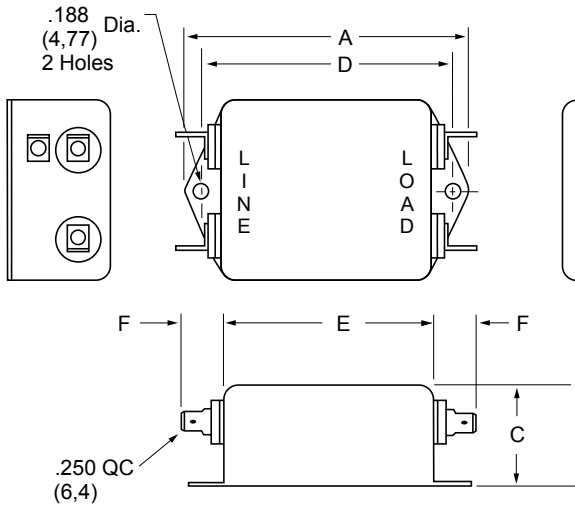


Nominal Current Rating	Part Number	Termination Line/Load	MINIMUM INSERTION LOSS - dB (50 ohm Circuit)										
			MODE	Frequency - MHz									
				.01	.02	.05	.15	.50	1.0	5.0	10	30	
3A	F2700AA03	QC/QC	Common	20	27	36	45	42	42	42	40	38	
	Differential	5	27	52	70	70	70	70	60	58			
3A	F2700CA03 F2700FB03	IEC/QC Fused IEC/Wire	Common	20	27	36	45	42	42	42	40	38	
	Differential	5	27	52	70	70	70	70	60	58			
6A	F2700AA06	QC/QC	Common	10	18	28	39	42	45	45	45	45	
	Differential	5	20	48	70	70	70	70	70	65			

NOTE: Other combinations of terminals may be specified on special order.

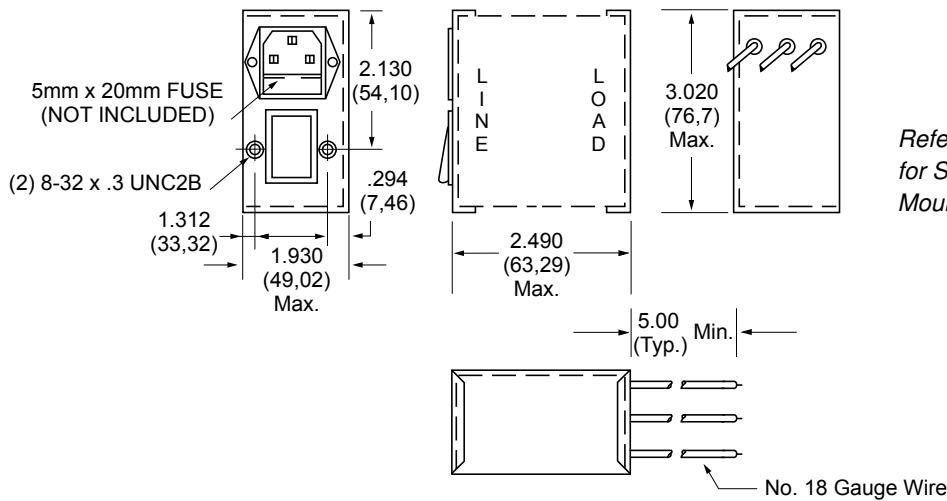


### F2700AA (3 and 6Amp) Dimensions



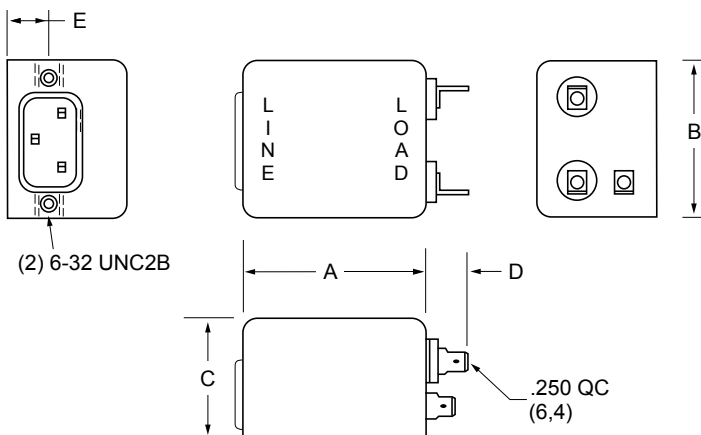
Amps	A	B	C	D	E	F
3A	3.315 (84,2)	2.000 (50,8)	1.500 (38,1)	2.940 (74,7)	2.500 (63,5)	.550 (14,0)
6A	4.440 (112,8)	2.250 (57,2)	1.750 (44,5)	4.063 (103,2)	3.620 (91,9)	.550 (14,0)

### F2700FB03 (3Amp) Dimensions



Refer to Page 58  
for Standard  
Mounting Cutouts

### F2700CA (3 and 6Amp) Dimensions



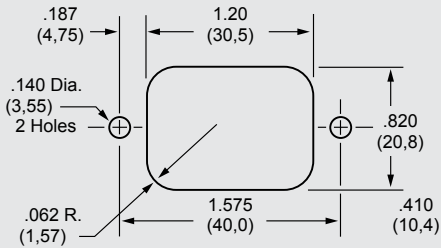
Refer to Page 58  
for Standard  
Mounting Cutouts

Amps	A	B	C	D	E
3A	2.880 (73,2)	2.125 (54,0)	1.719 (43,6)	.550 (14,0)	.575 (14,6)
6A	3.750 (95,2)	2.250 (57,1)	1.750 (44,4)	.550 (14,0)	.640 (16,29)

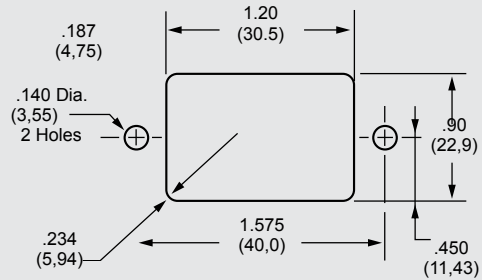


# Standard Mounting Cutouts

## F2199CA, F2200CA, F2300CA, F2400CA, F2500CA, F2700CA, F3100CA, F3200CA, F3400CA, F3500CA

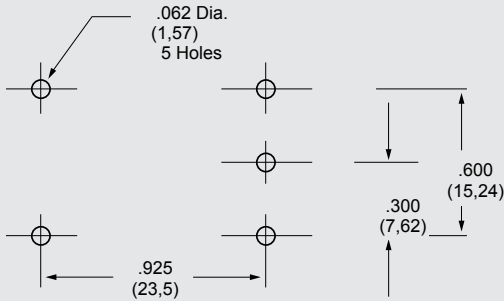


Back Mounting

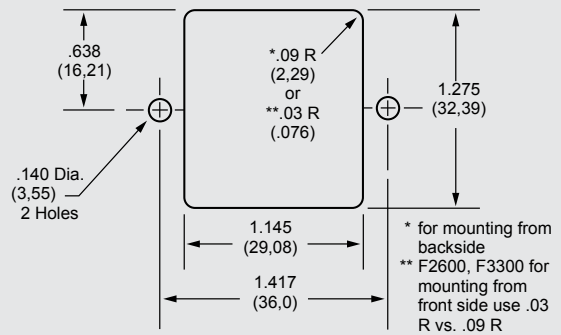


Front Mounting

## F2600FP, F3300FP

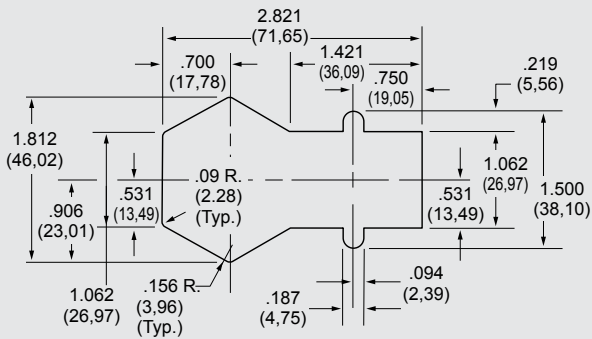


## F2600, F3300



POWER ENTRY MODULES

## F2700FB



## PE1 Screw Mount Series

