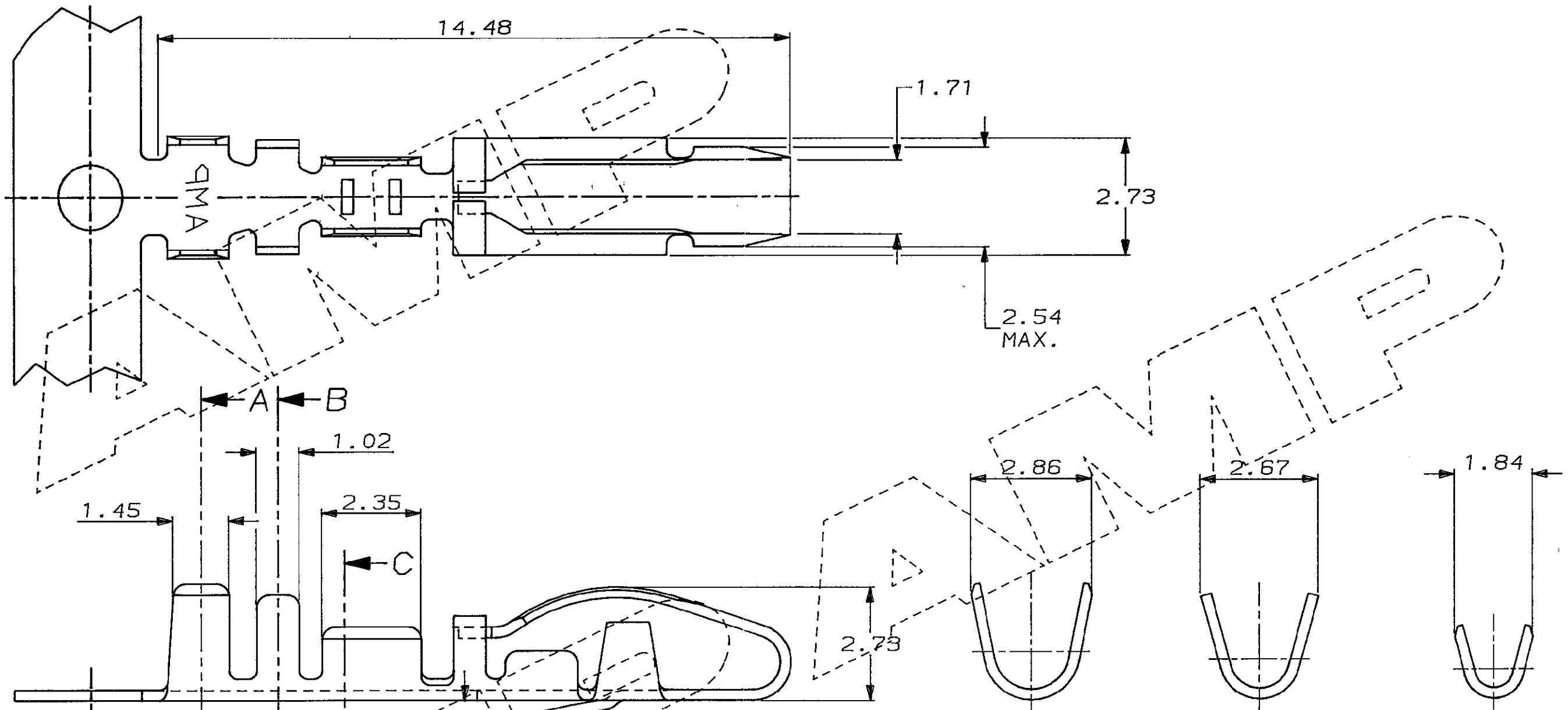
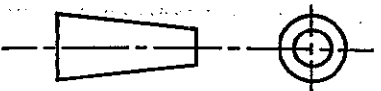


C.A.D. FILE CODE  
S.C343371.0.SH1

DO NOT SCALE

DIMENSIONS IN MM.



SECTION A-A      SECTION B-B      SECTION C-C

NOTE

1. INSPECT TERMINATED CONTACTS TO AMP APPLICATION SPECIFICATION 114-9003

PRE PLATED GOLD OVER NICKEL		PHOSPHOR BRONZE	343371-1
FINISH		MATERIAL	PART NUMBER
CUSTOMER DWG FOR REFERENCE ONLY		© COPYRIGHT 1988 BY AMP OF GREAT BRITAIN LTD. ALL INTERNATIONAL RIGHTS RESERVED. ALL PRODUCTS MAY BE COVERED BY BRITISH AND FOREIGN PATENTS AND/OR PATENTS PENDING.	
-		TOLERANCES UNLESS OTHERWISE STATED :	DR. A. J. BEKEN <i>A. J. Beken</i> 18 JUL 1988
-		DEC ± 0.5	CH. R. W. BAKER      APP. R. W. BAKER
-		ANGLES ± 1°	<b>AMP</b> of Great Britain Ltd.      TERMINAL HOUSE STANMORE MIDD.
-		NAME	CONTACT, AMP LEAF
0	A. J. BEKEN	CS184	18-2-89
REV	APPROVED	ECN	DATE
10/1	E	A3	C343371
SCALE	LOC	SIZE	DWG. No.
0	1	0	1/1
REV	APPROVED	ECN	DATE