

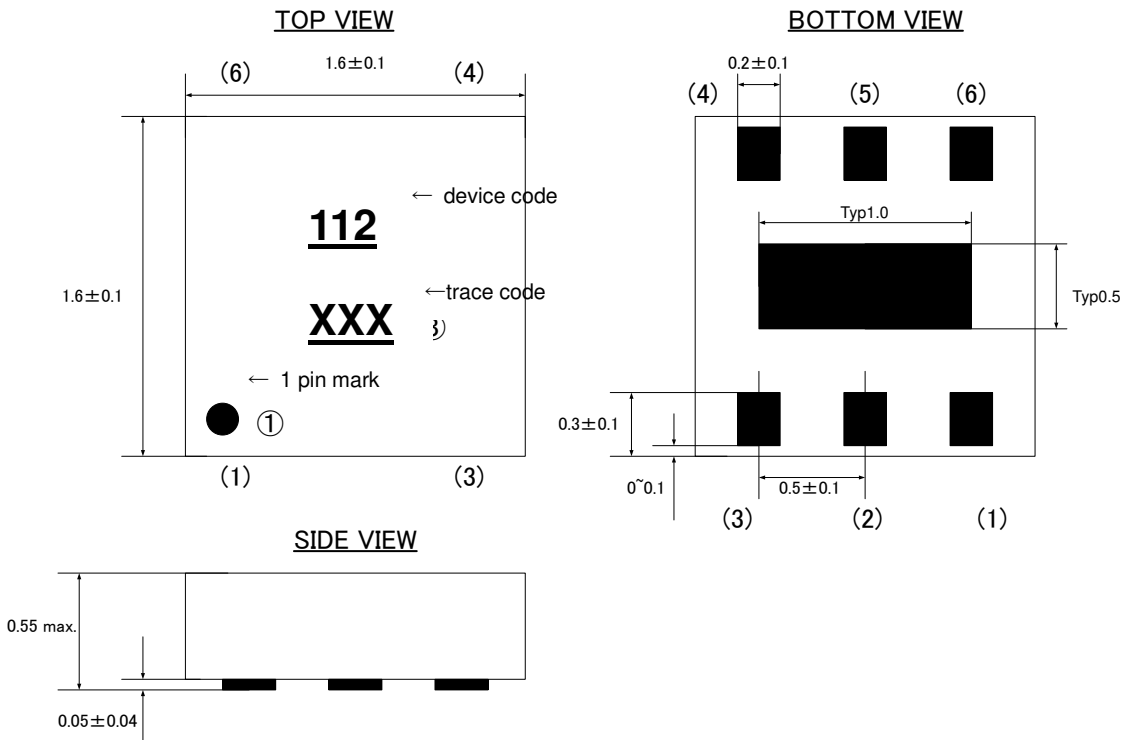
### 1. Application

- ESD Protection

### 2. Features

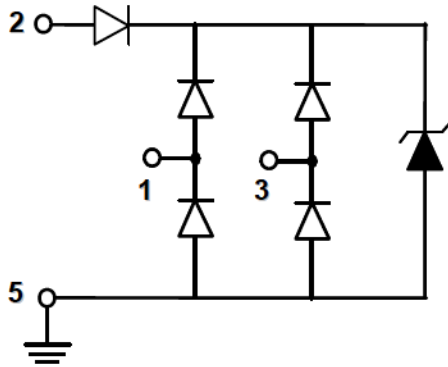
- IEC61000-4-2(ESD)  $\pm 15\text{kV}$ (air),  $\pm 12\text{kV}$ (contact)
- Low capacitance :  $0.55\text{pF}$  typical
- Fast turn on and low clamping voltage
- For 2lines
- RoHS regulation conformity parts

### 3. Mechanical details (dimensions : mm)



#### Pin configuration

| No. | Terminal name |
|-----|---------------|
| (1) | I/O 1         |
| (2) | VDD           |
| (3) | I/O 2         |
| (4) | NC            |
| (5) | GND           |
| (6) | NC            |

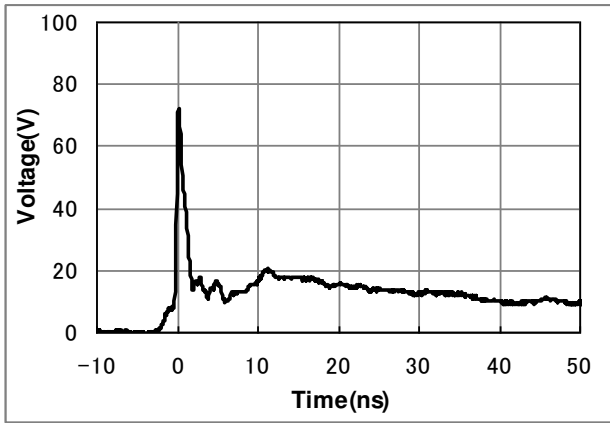
**4. Schematic**

**5. Maximum Ratings**

| Rating                          | Symbol    | Value       | Units |
|---------------------------------|-----------|-------------|-------|
| Operating voltage(VDD-GND)      | $V_{DC}$  | 5.5         | V     |
| ESD per IEC 61000-4-2 (air)     | $V_{ESD}$ | ±15         | kV    |
| ESD per IEC 61000-4-2 (contact) |           | ±12         |       |
| Lead Soldering Temperature      | $T_{SOL}$ | 260(10sec.) | °C    |
| Operating Temperature           | $T_{OP}$  | -40 to +85  | °C    |
| Storage Temperature             | $T_{STO}$ | -40 to +125 | °C    |

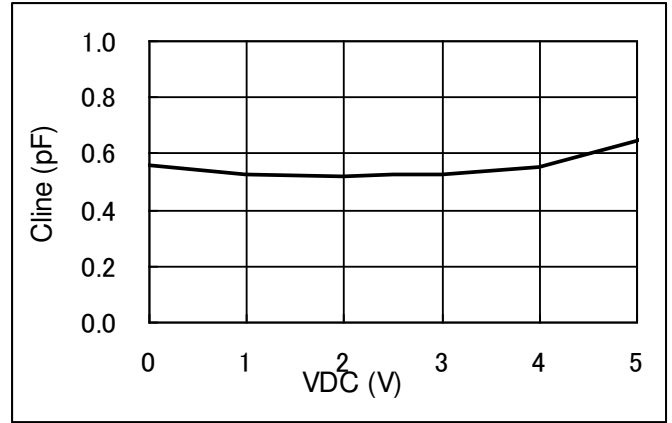
**6. Electrical characteristics (T=25 °C)**

| Parameter                 | Symbol     | Conditions  | Min | Typ  | Max | Units |
|---------------------------|------------|---|-----|------|-----|-------|
| Leakage Current (I/O-GND) | $I_{Leak}$ | $V_{pin5}=0V, V_{pin2}=5V, V_{CH}=0-5V$                 |     |      | 1   | μA    |
| Breakdown Voltage         | $V_{BV}$   | $I_{BV} = 1mA$  | 6   |      | 9   | V     |
| Capacitance (I/O-GND)     | $C_{IN}$   | $V_{pin5} = 0V, V_{pin2} = 5V, V_{IN} = 2.5V, f = 1MHz$ |     | 0.55 |     | pF    |

### 7. Typical Characteristic

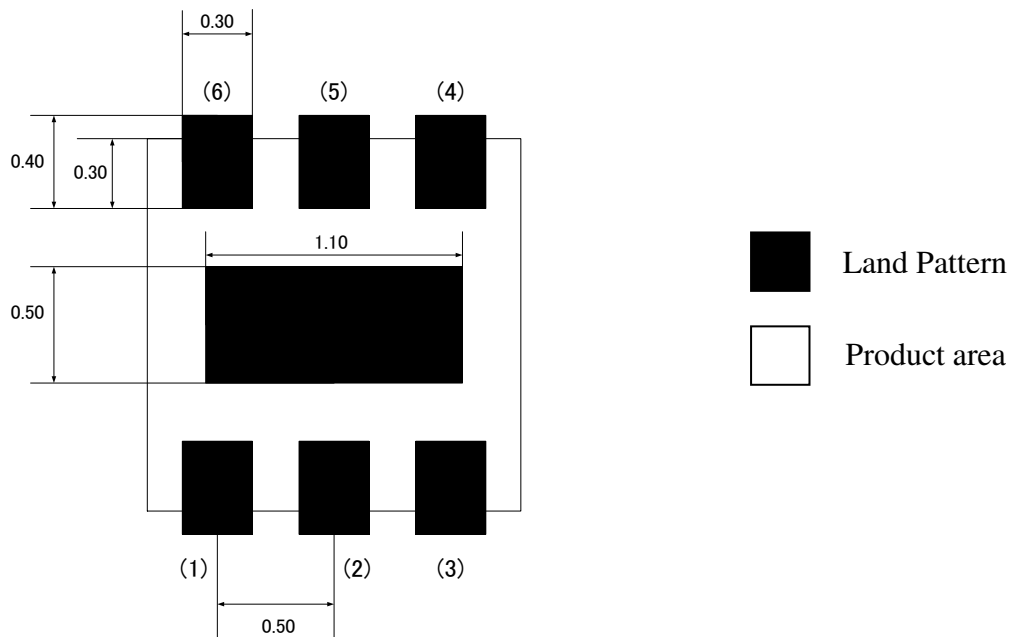


ESD Waveform (IEC61000-4-2:8kV Contact)



Voltage – Capacitance Characteristic

### 8. Soldering Footprint (dimensions : mm)

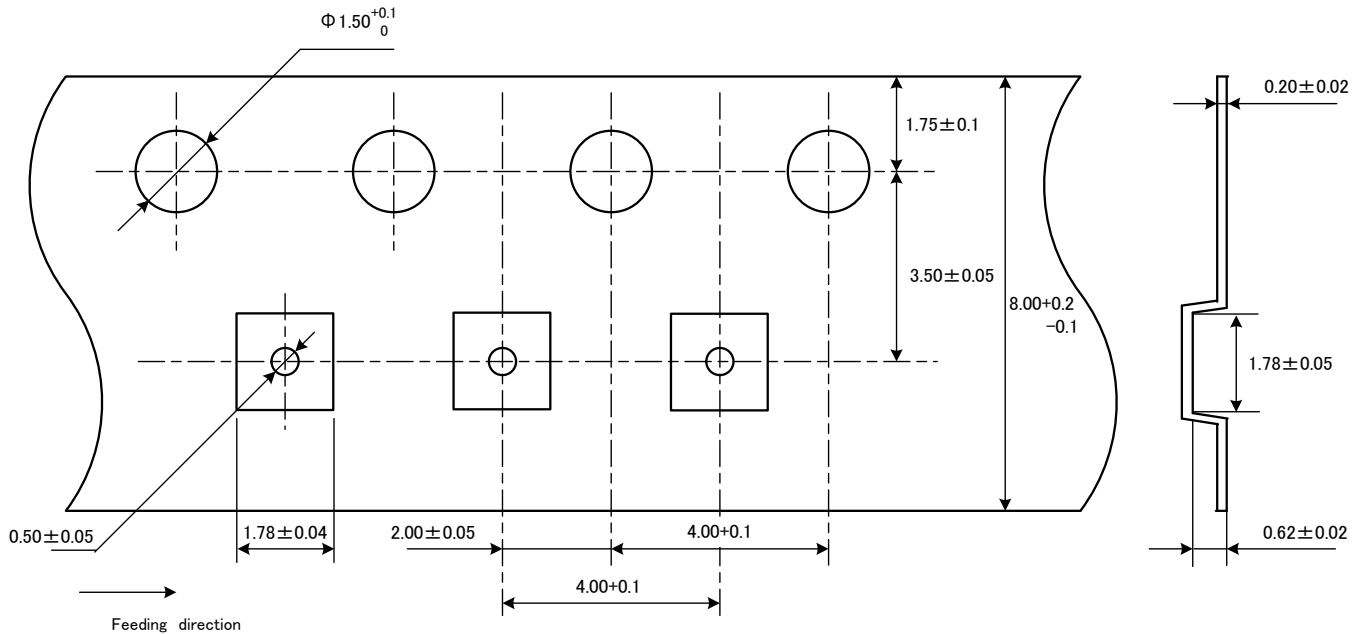


Notes : this land layout is for reference purpose only.

### 9. Taping Specification

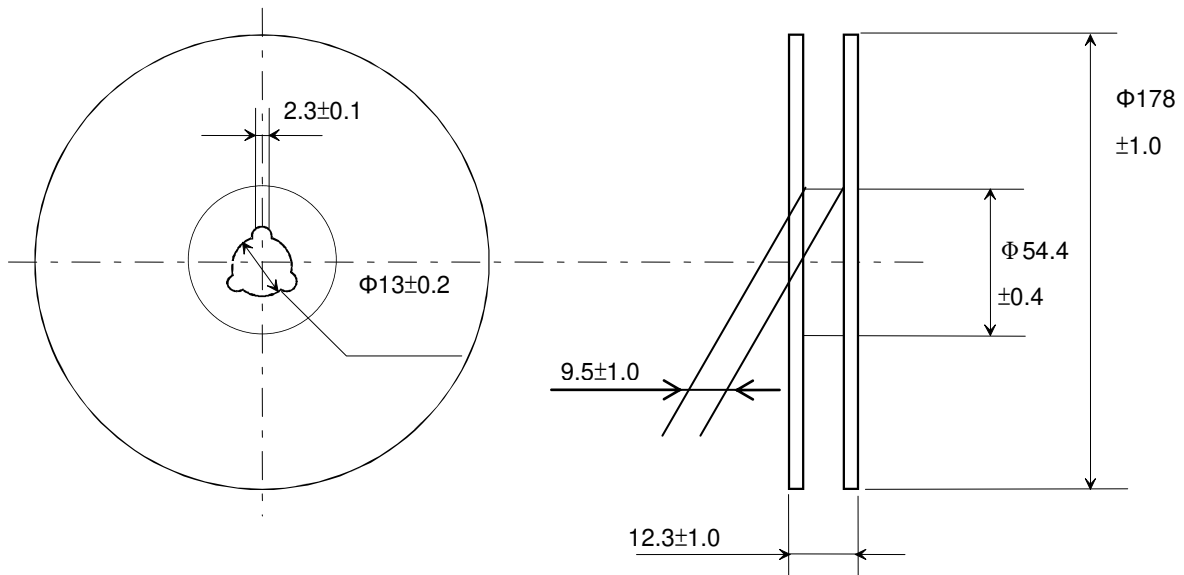
#### 1) Dimensions of Tape (Plastic tape)

(in mm)



#### 2) Dimensions of Reel

(in mm)



#### 3) Packaging unit: 3,000 pcs / reel

**Note:**

1. This datasheet's specifications are subject to change or our products in it may be discontinued without advance notice. Please check with our sales representatives or product engineers before ordering.
2. This datasheet has only typical specifications because there is no space for detailed specifications. Therefore, please approve our product specifications or transact the approval sheet for product specifications before ordering.