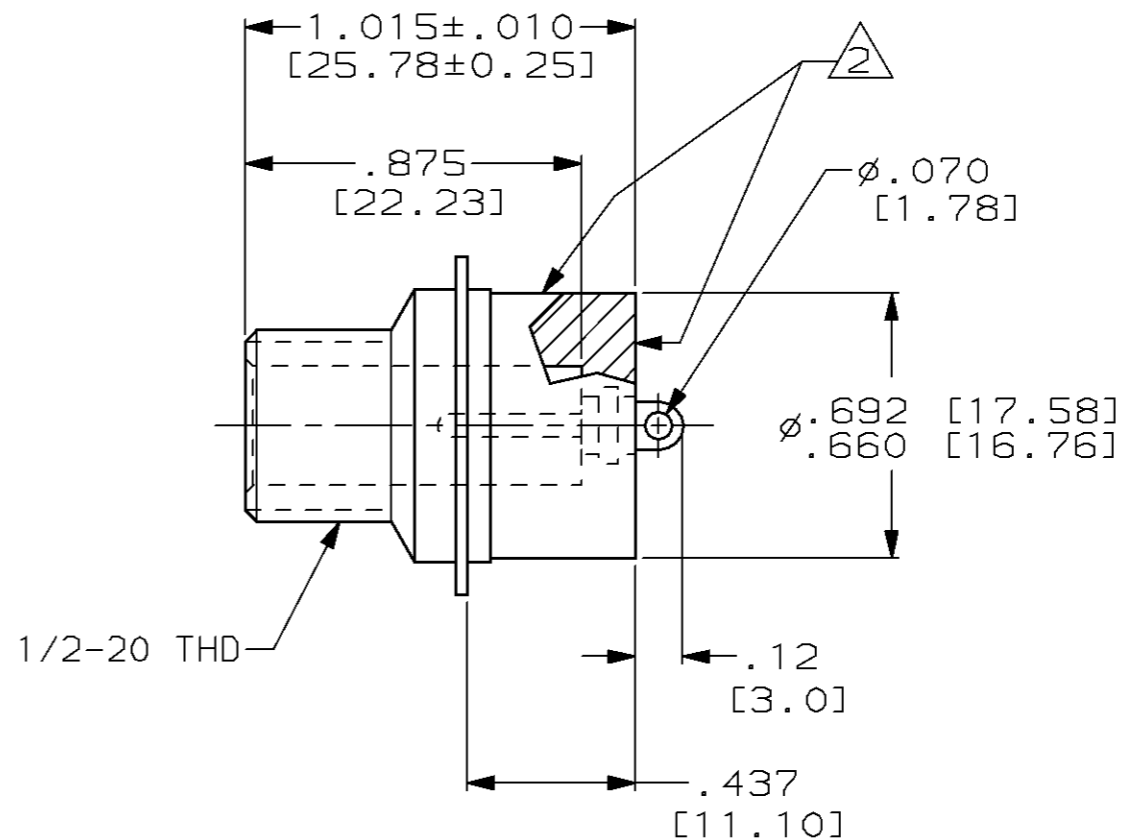
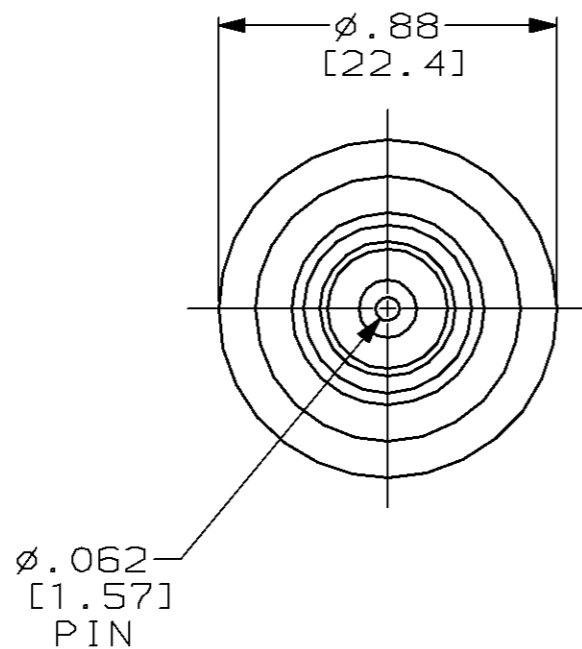


THIS DRAWING IS UNPUBLISHED. RELEASED FOR PUBLICATION, 19 .
 © COPYRIGHT 19 BY AMP INCORPORATED. ALL RIGHTS RESERVED.

LOC	DIST	REVISIONS			
P	LTR	DESCRIPTION	DATE	DWN	APVD
DF	SO				
	D	REV & REDRAWN; 0600-5527-96	7-96	CT	SG



- 1. THIS IS A HERMETICALLY SEALED RECEPTACLE.
- 2. MOLDED AREA BELOW FLANGE IS SANDBLASTED.

REMARKS	DISCRIPTION	PART NUMBER
OBSOLETE	GOLD PLATED PIN; TIN PLATED FLANGE	862401-2
-	TIN PLATED PIN & FLANGE	862401-1

THIS DRAWING IS A CONTROLLED DOCUMENT.		DWN C.C. THOMAS 7-17-96	AMP AMP Incorporated Harrisburg, PA 17105-3608
DIMENSIONS: INCHES [mm]		CHK S. GLATFELTER 8-1-96	
TOLERANCES UNLESS OTHERWISE SPECIFIED:		APVD S. GLATFELTER 8-1-96	NAME
0 PLC ±-		PRODUCT SPEC	RECEPTACLE ASSY, FLANGED, LGH-1
1 PLC ±-		APPLICATION SPEC	
2 PLC ±.01 [0.3]		WEIGHT	SIZE
3 PLC ±.005 [0.13]		CUSTOMER DRAWING	CAGE CODE
4 PLC ±-			DRAWING NO
ANGLES ±-		SCALE	SHEET
MATERIAL	FINISH	2:1	1 OF 1
			REV D