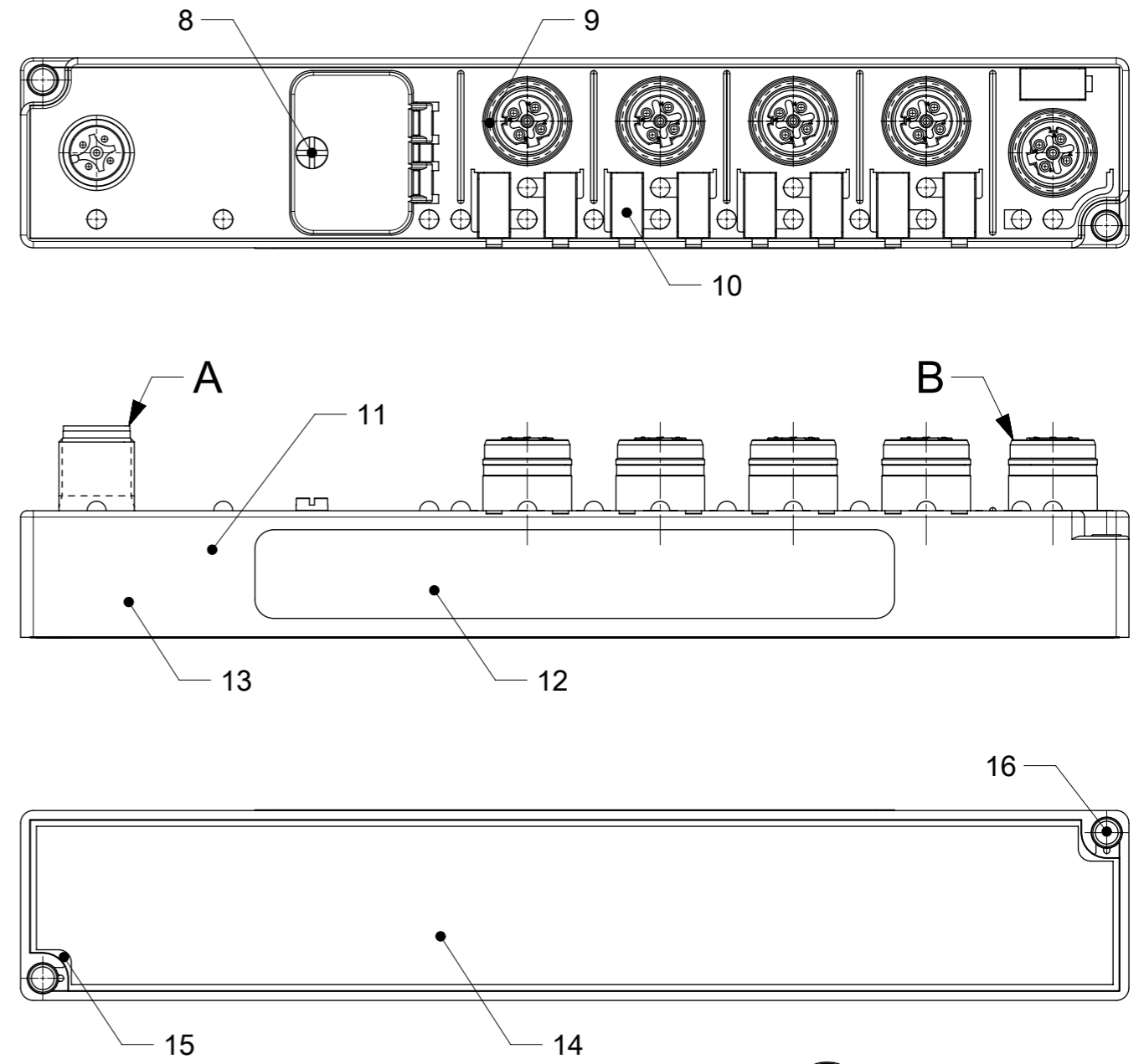
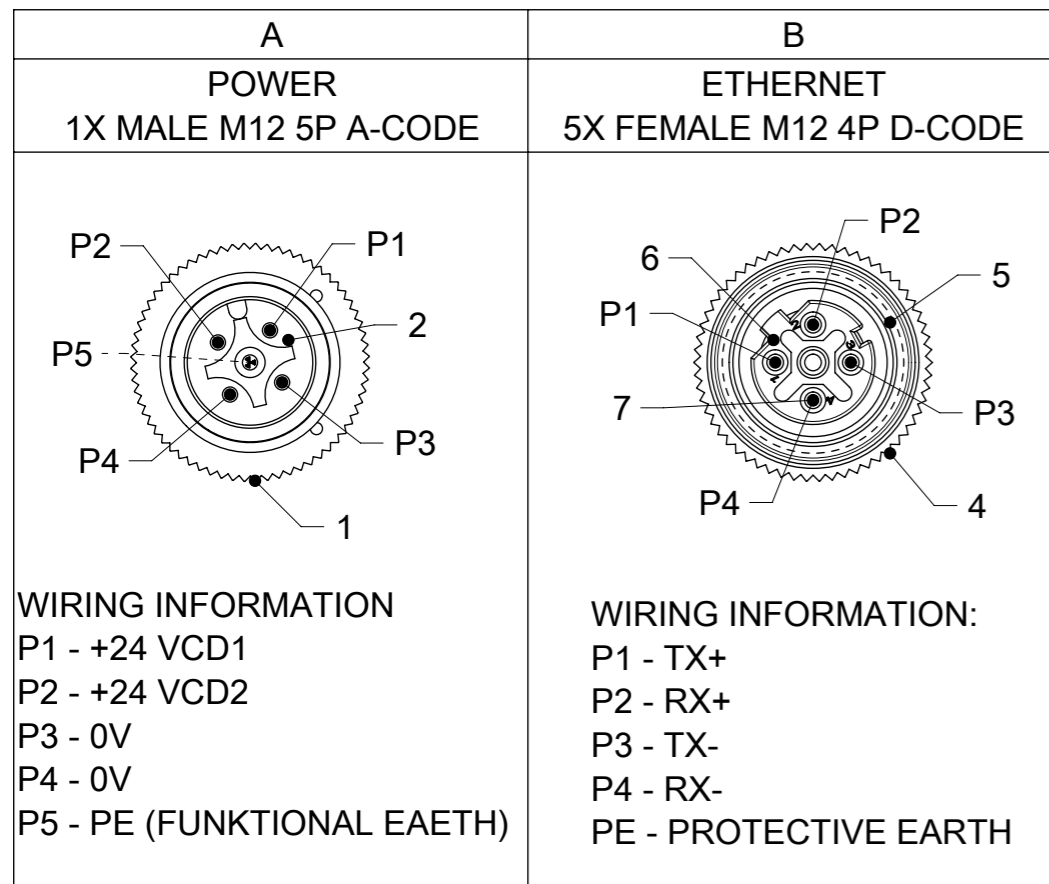
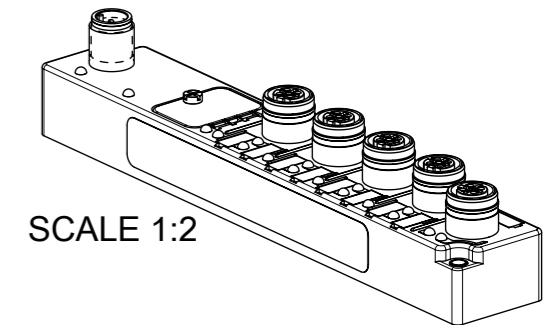


QUALITY SYMBOLS ▽A = 0 ▽E = 0 ▽F = 0 ▼ = 0 ▽C = 0 ⊠ = 0 ■ = 0 ▽ = 0	THIS DRAWING CONTAINS INFORMATION THAT IS PROPRIETARY TO MOLEX ELECTRONIC TECHNOLOGIES, LLC AND SHOULD NOT BE USED WITHOUT WRITTEN PERMISSION										
	EC NO: 111427 DRWN: ULETTENMEIER CHK'D: APPR: RSILLER	2016/11/30	2016/12/14	GENERAL TOLERANCES (UNLESS SPECIFIED)		DIMENSION UNITS	SCALE				
				ANGULAR TOL ± °		MM	1:1				
		4 PLACES	±			DRWN BY	DATE	DBO ETH SW 30 MM U12 4P 5PT FE M12 5P MA			
		3 PLACES	±			ULETTENMEIER	2015/01/19				
		2 PLACES	±			CHK'D BY	DATE				
	1 PLACE	± 0.3			APPR BY	DATE	PRODUCT CUSTOMER DRAWING				
	0 PLACES	± 0.5			RSILLER	2015/05/20					
	DRAFT WHERE APPLICABLE MUST REMAIN WITHIN DIMENSIONS			DRAWING SIZE	THIRD ANGLE PROJECTION	SERIES	MATERIAL NUMBER	CUSTOMER			
				A3		112111	SEE TABLE 1	GENERAL MARKET			
			REV		DOCUMENT NUMBER		DOC TYPE	DOC PART	SHEET NUMBER		
			A3		1121115001		PSD	000	1 OF 3		

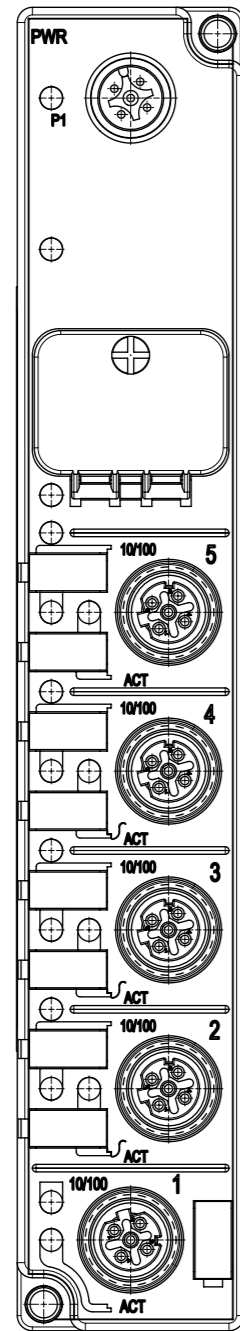


BILL OF MATERIAL

ITEM	DESCRIPTION	MATERILA	FINISH
1	SHELL	BRASS	NICKEL PLATET
2	INSERT	PVC	BLACK
3	CONTACT	COPPER ALLOY	GOLD OVER NICKEL
4	SHELL	BRASS	NICKEL PLATET
5	GASKET	FPM	RED
6	INSERT	PVC	BLACK
7	CONTACT	COPPER ALLOY	GOLD OVER NICKEL
8	SCREW	V2A	V2A
9	WINDOW	PC	BLACK
10	LABEL	PC	WHITE
11	LED	PA	TRANSPARENT
12	LABEL	PVC	YELLOW
13	HOUSING	PBT	BLACK
14	LABEL	PVC	WHITE
15	RESIN	EPOXY	TRANSPARENT
16	SLEEVE	BRASS	NICKEL



QUALITY SYMBOLS	THIS DRAWING CONTAINS INFORMATION THAT IS PROPRIETARY TO MOLEX ELECTRONIC TECHNOLOGIES, LLC AND SHOULD NOT BE USED WITHOUT WRITTEN PERMISSION			
A = 0 E = 0 F = 0 G = 0 H = 0 I = 0 J = 0 K = 0 L = 0 M = 0 N = 0 O = 0	EC NO: 111427 DRWN: ULETTENMEIER CHK'D: RSILLER APPR: RSILLER	2016/11/30 2016/12/14	GENERAL TOLERANCES (UNLESS SPECIFIED) ANGULAR TOL ± ° 4 PLACES ± 3 PLACES ± 2 PLACES ± 1 PLACE ± 0.3 0 PLACES ± 0.5 DRAFT WHERE APPLICABLE MUST REMAIN WITHIN DIMENSIONS	DIMENSION UNITS: MM SCALE: 1:1 DRWN BY: ULETTENMEIER DATE: 2015/01/19 CHK'D BY: RSILLER DATE: 2015/05/20 APPR BY: RSILLER DATE: 2015/05/20 DRAWING SIZE: A3 THIRD ANGLE PROJECTION
molex DBO ETH SW 30 MM U12 4P 5PT FE M12 5P MA		PRODUCT CUSTOMER DRAWING		
		SERIES: 112111 MATERIAL NUMBER: SEE TABLE 1 CUSTOMER: GENERAL MARKET	DOCUMENT NUMBER: 1121115001 DOC TYPE: PSD DOC PART: 000 SHEET NUMBER: 2 OF 3	



ETHERNET SWITCH PRINTING

TABLE 1 ETHERNET SWITCH			
POWER TYPE	ENG.NO.	MOLEX P/N	3D MODEL NO.
M12 MALE 5P	DRL-750	1121115001	1121115001 (PDM)

QUALITY SYMBOLS ▽ _A = 0 ▽ _E = 0 ▽ _{EP} = 0 ▼ = 0 ▽ _C = 0 ⊗ = 0 ■ = 0 ▽ = 0	THIS DRAWING CONTAINS INFORMATION THAT IS PROPRIETARY TO MOLEX ELECTRONIC TECHNOLOGIES, LLC AND SHOULD NOT BE USED WITHOUT WRITTEN PERMISSION											
	EC NO: 111427 DRWN: ULETTENMEIER CHK'D: APPR: RSILLER	2016/11/30 2016/12/14	GENERAL TOLERANCES (UNLESS SPECIFIED)		DIMENSION UNITS	SCALE						
			ANGULAR TOL ± °		MM	1:1						
			4 PLACES ±	DRWN BY	DATE							
			3 PLACES ±	ULETTENMEIER 2015/01/19		CHK'D BY	DATE	DBO ETH SW 30 MM U12 4P 5PT FE M12 5P MA				
			2 PLACES ±	RSILLER 2015/05/20		DATE						
	1 PLACE ± 0.3	DRAFT WHERE APPLICABLE MUST REMAIN WITHIN DIMENSIONS		DRAWING SIZE	THIRD ANGLE PROJECTION	PRODUCT CUSTOMER DRAWING						
	0 PLACES ± 0.5	A3	REV	A3		SERIES	MATERIAL NUMBER	CUSTOMER				
	112111					SEE TABLE 1		GENERAL MARKET				
	DOCUMENT NUMBER 1121115001					DOC TYPE	DOC PART	SHEET NUMBER				
					PSD	000	3 OF 3					