

# MPO Field

## Fiber Optic Solution



## *Transform your MPO patchcord into an environmental connector*

MPO Field offers an easy system to upgrade from a standard to an environmental MPO with no cabling operation for installation in field.

### Main Features

- Uses standard MPO Patchcord
- MPO inside a MIL-DTL 38999 Series III size 13 shell
- Sealed against fluids and dust (IP68)
- Shock, vibration proof
- No cabling operation in field

### Characteristics

- Number of channels : 12 or 24 depends on MPO
- Typical insertion loss : 0,5dB Multimode or Singlemode
- Durability : 500 mating/unmating cycles



## Markets & Applications



### C4ISR

Threat detection system  
Soldier wearable equipment  
Rugged computer & digital radio  
Satellite reception unit  
Radars



### Navy

Navigation  
Embedded Network  
Data Centers



### Military Aerospace & Airframe

Radars  
Display unit  
Flight control system



### Military vehicles

Vetronics  
Optronics  
Communication Systems

# MPO Field Assembly

## Assembling your MPO FIELD



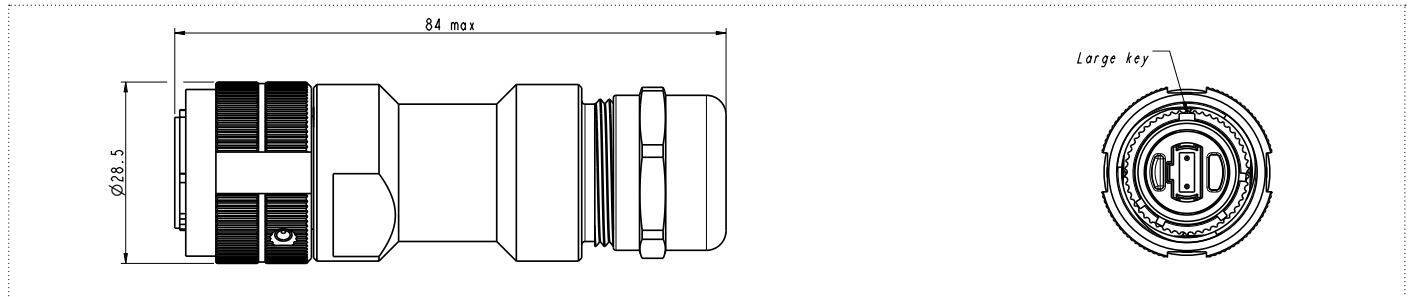
See our new video  
«MPO Field» :



## MPO Field Straight Plug

### Plug with metallic backshell and metallic gland

MIL-DTL 38999 Series III Size 13

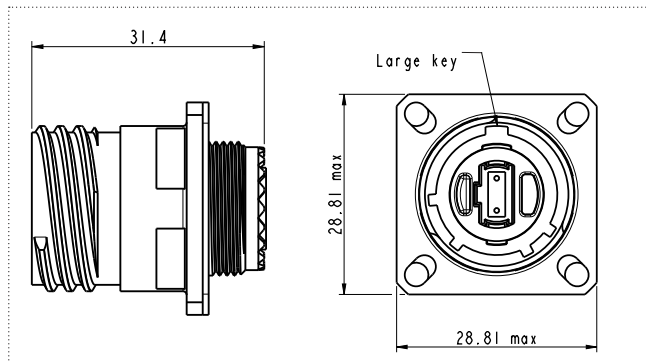


3D files available on request

## MPO Field Receptacles

### Square flange receptacle

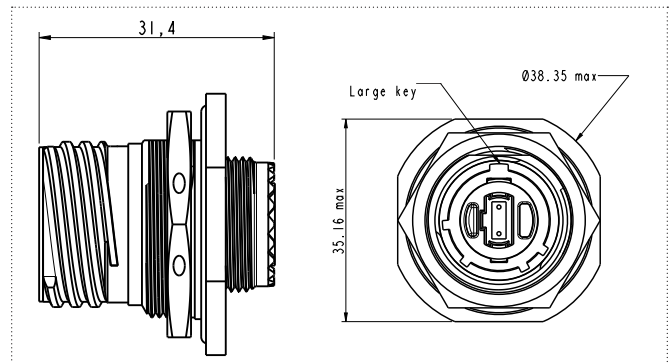
MIL-DTL 38999 Series III Size 13



3D files available on request

### Jam nut receptacle

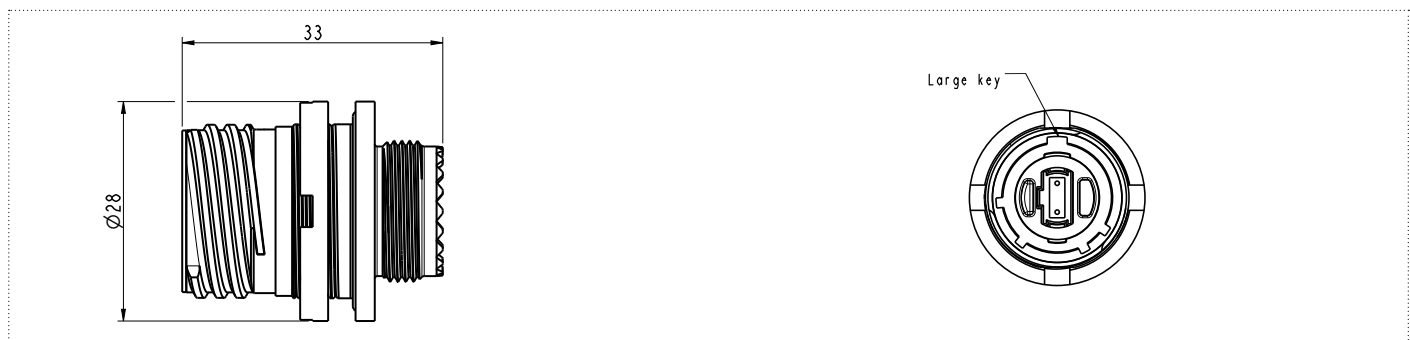
MIL-DTL 38999 Series III Size 13



3D files available on request

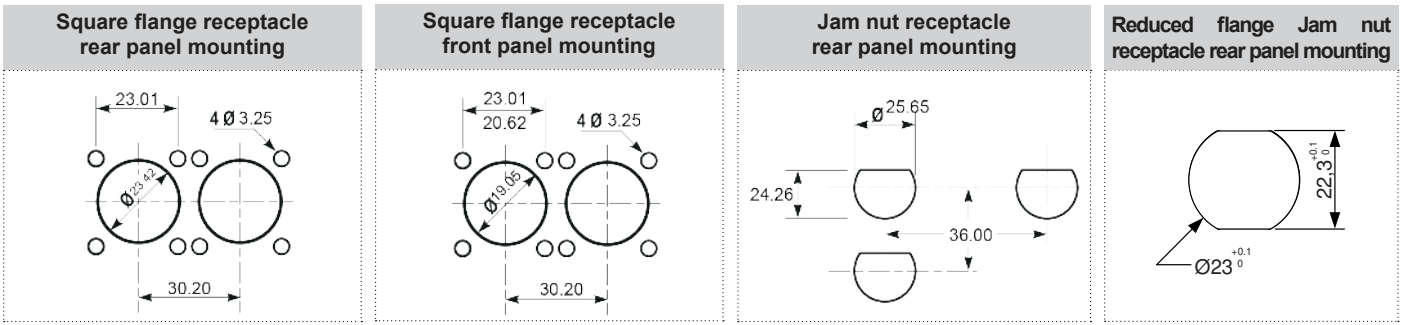
### Reduced flange Jam nut receptacle

MIL-DTL 38999 Series III Size 13

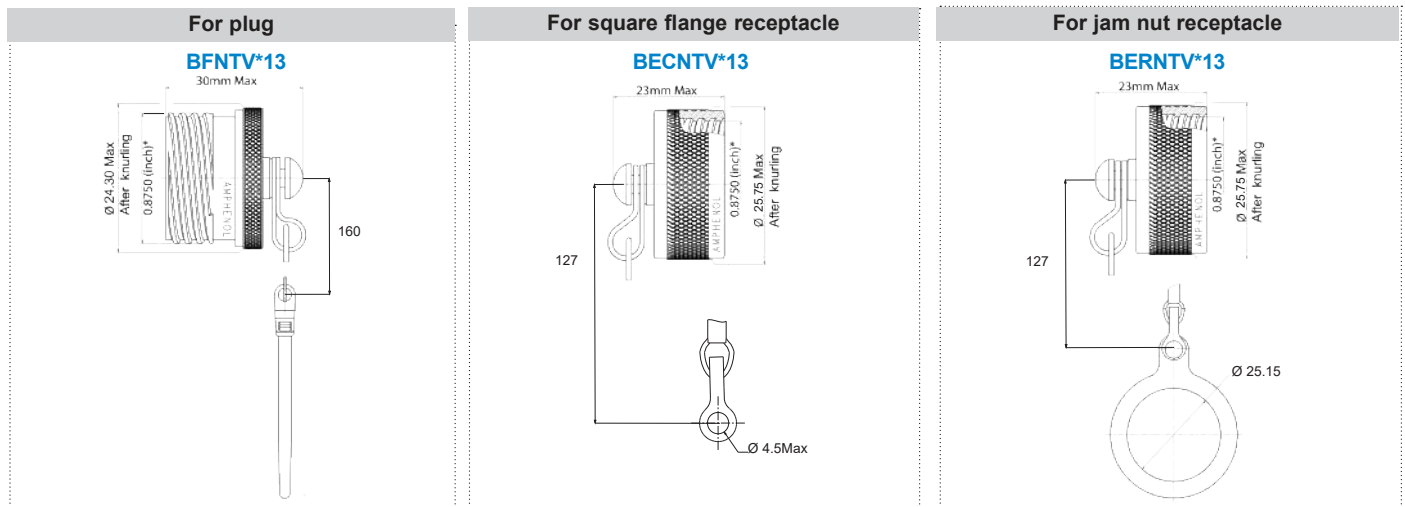


3D files available on request

# MPO Field Panel drilling

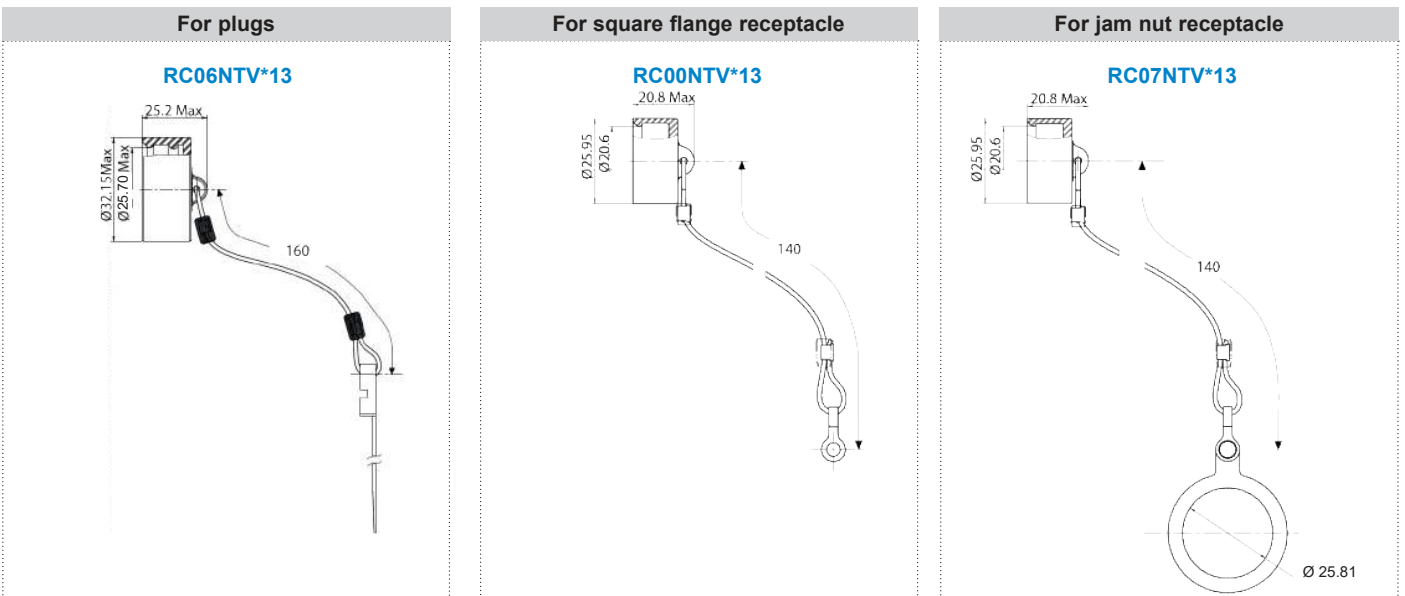


## MPO Field Protective Caps Standard Metal Protective Caps



\* A thread 0.1P-0.3L-TS, Class 2A (External), Class 2B (Internal)

## Protective Rubber Caps



## Accessories

### MPO Field Extraction Tool



See how to use it in the video :



# MPO Field - How to order

## MPO Field Connectors

1.	2.	3.	4.	5.	6.
Series	Shell type	Cable type	Shell protection	Shell coding	Deviation
MPOFTV	6M	A	N	N	

### 1. Series

**MPOFTV** MPO Field TV Series

### 2. Shell type

- 6M** Plug with metallic backshell and metallic gland
- 2** Square flange receptacle
- 7** Jam Nut receptacle

### 3. Cable type

#### Only for plug

- A** Round cable from Ø 2 to 2,99mm
- B** Round cable from Ø 3 to 3,99mm
- C** Round cable from Ø 4 to 5,99mm
- D** Round cable from Ø 6 to 7,99mm

#### Only for receptacle (no backshell available for MPO FIELD)

- 0** Receptacle without backshell

### 4. Shell protection

- N** Electroless Nickel ✓
- G** Olive drab cadmium
- B** Marine Bronze ✓
- ZN** Black zinc nickel ✓

### 5. Shell coding

- N** Standard coding N
- A** Coding A
- B** Coding B
- C** Coding C
- D** Coding D

### 6. Deviation (metal shells and jam nut receptacle only - TV Series)

Deviation	Description
<b>F311</b>	Reduced flange jam nut receptacle with a safety castle nut
<b>F312</b>	Reduced flange jam nut receptacle with a standard castle nut

## Standard Metal Protective Caps

1.	2.	3.	4.	5.	6.	
Cap type	Cap style	Wire type	Series	Material and platings	Cap size	Deviation
B	EC	N	TV	W	13	

### 1. Cap style

- EC** For square flange receptacle
- ER** For jam nut receptacle
- F** For plugs

### 2. Wire type

- N** Nylon cord

### 3. Series

**TV** For MIL-DTL-38999 Serie III (TV-CTV), RNJLP, SC39, Powersafe

### 4. Materials and platings

	Shell material	Shell finish
<b>W</b>		Olive drab cadmium
<b>F</b>	Aluminum	Nickel ✓
<b>ZN</b>		Black zinc nickel ✓
<b>B</b>	Marine Bronze ✓	-

### 5. Cap size

13

### 6. Deviation (TV Series only)

**F057** For Reduced flange jam nut receptacle (TV Series, RJFTV, USBFTV)

## Protective Rubber Caps

1.	2.	3.	4.	
Cap type	Cap style	Wire type	Series	Cap size
RC	00	N	TV	13

### 1. Cap style

- 00** For square flange receptacle
- 07** For jam nut receptacle
- 06** For plugs

### 2. Wire type

- N** Nylon cord

### 3. Series

**TV** For MIL-DTL-38999 Serie III (TV-CTV), RNJLP, SC39

### 4. Cap size

13

✓ RoHS compliant

Amphenol Socapex  
948, promenade de l'Arve BP29  
74311 Thyez Cedex - France  
Phone: +33 (0)4 50 89 28 00  
contact@amphenol-socapex.fr

www.amphenol-socapex.com  
Follow Amphenol Socapex on social media :



Designed by Amphenol Socapex  
DOC-001029-ANG - January 2021

We reserve the right to modify our products in any way we deem necessary.  
Any duplication is prohibited, unless approved in writing.

**Amphenol SOCAPEX**