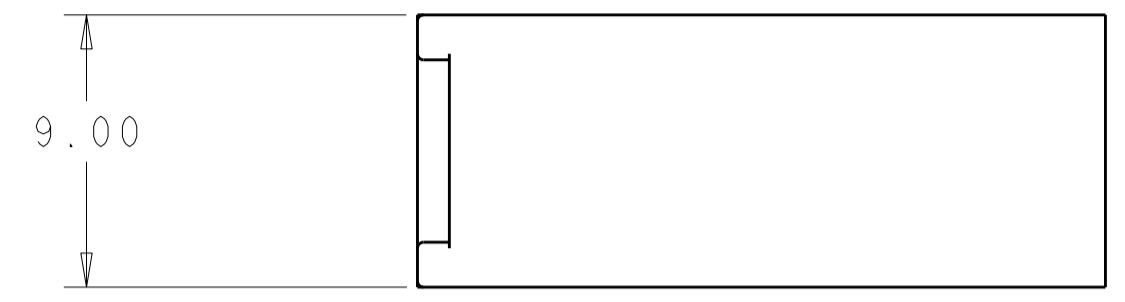
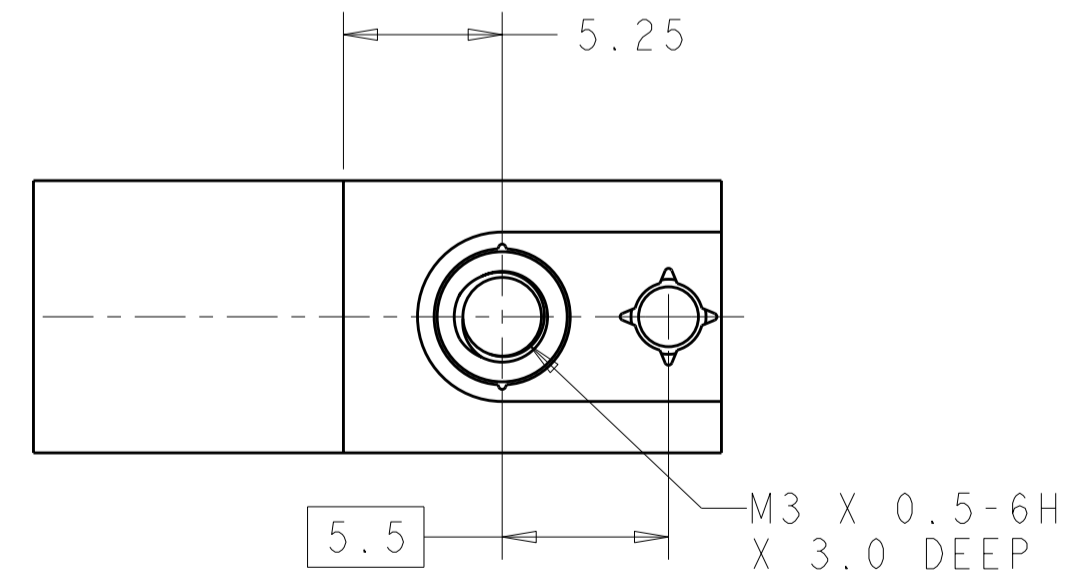
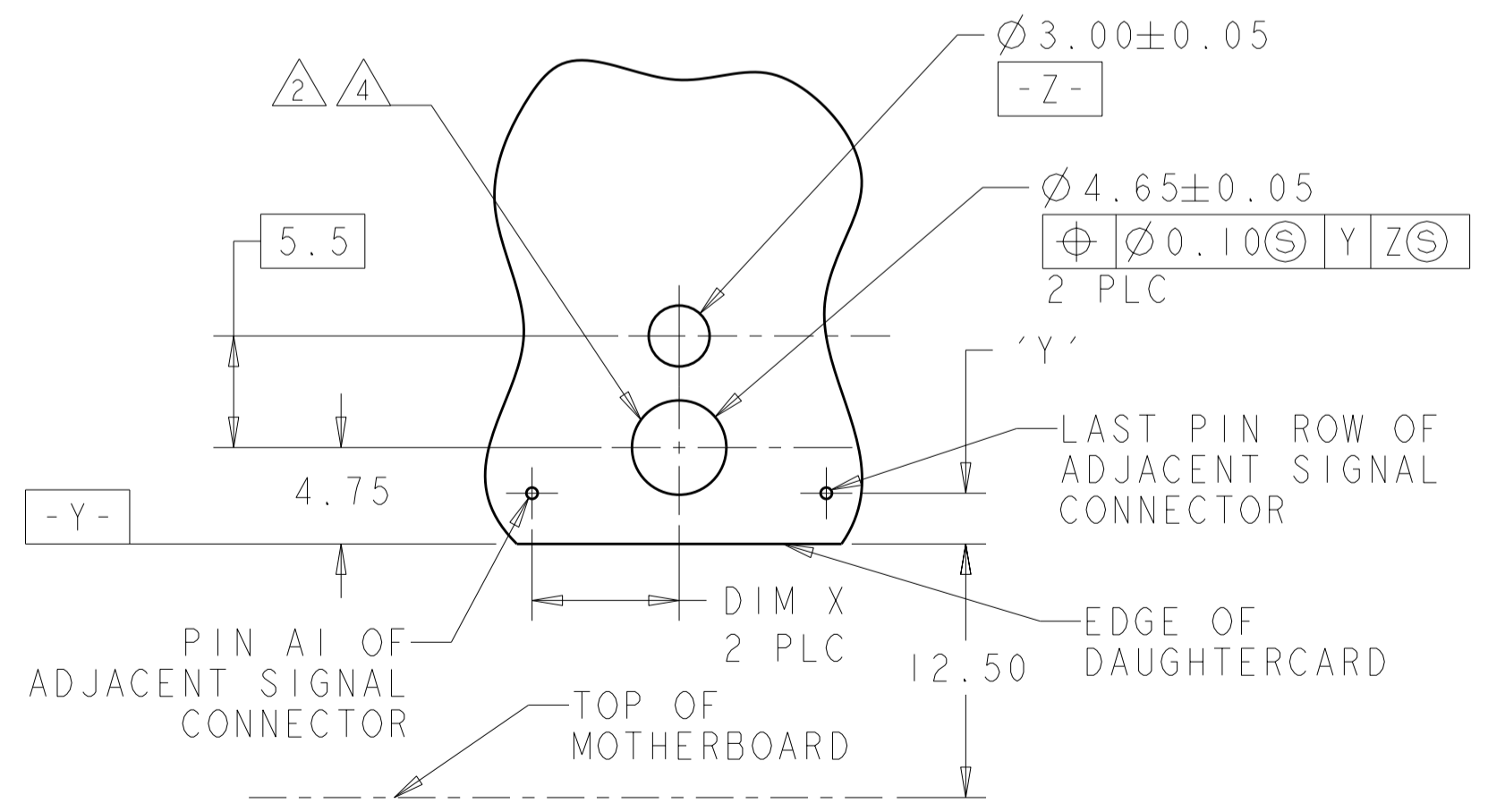
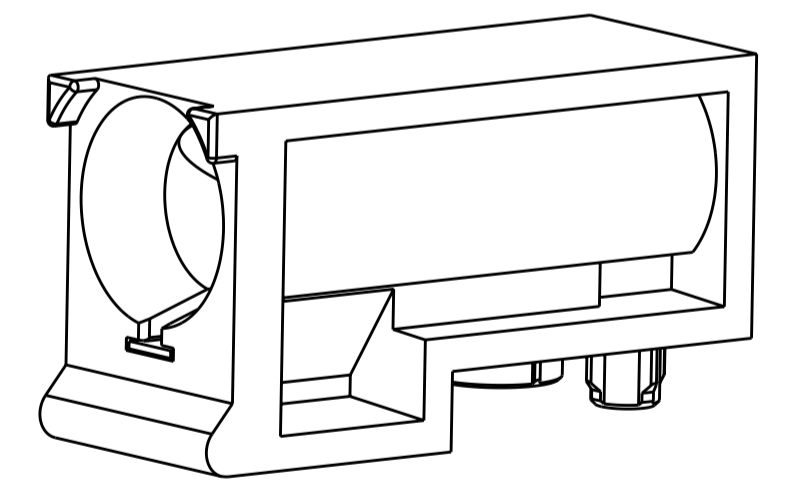
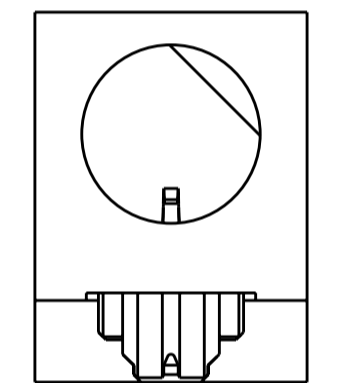
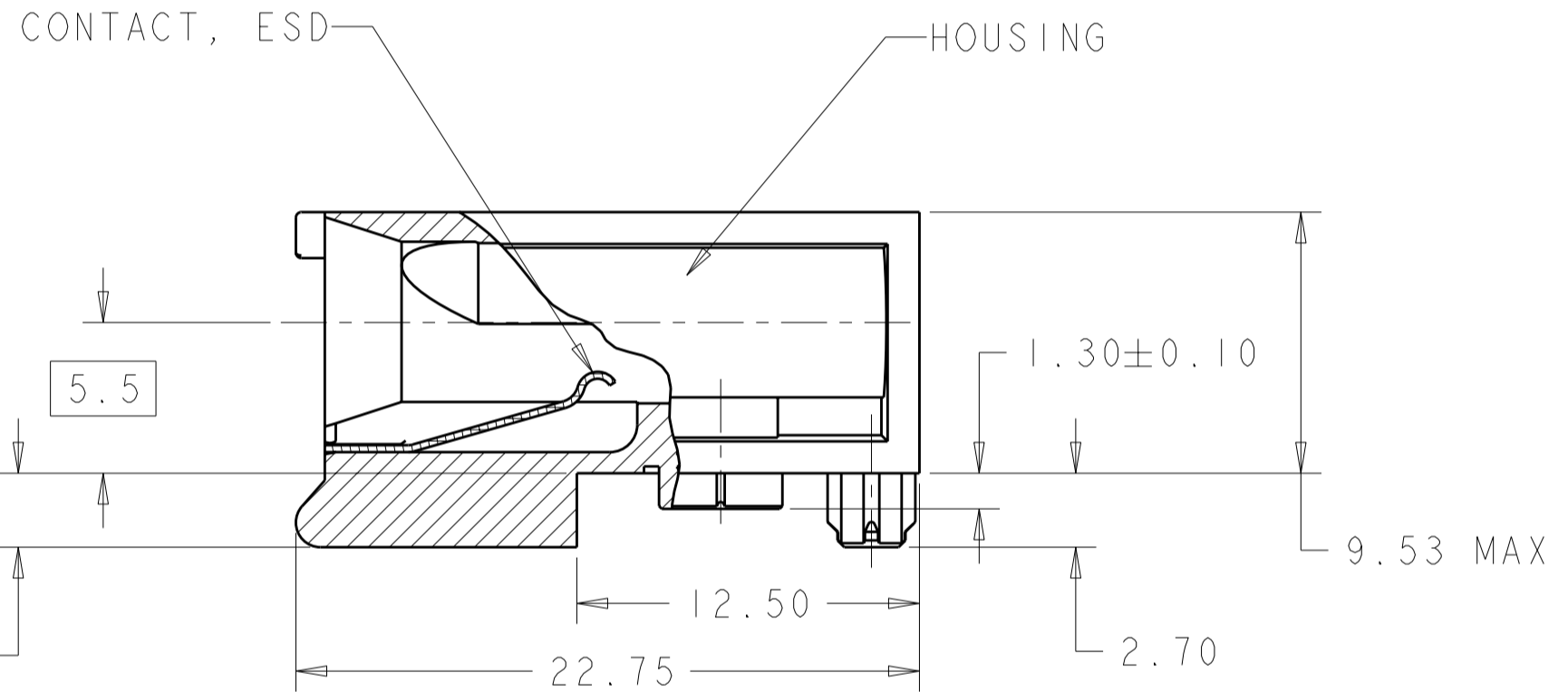
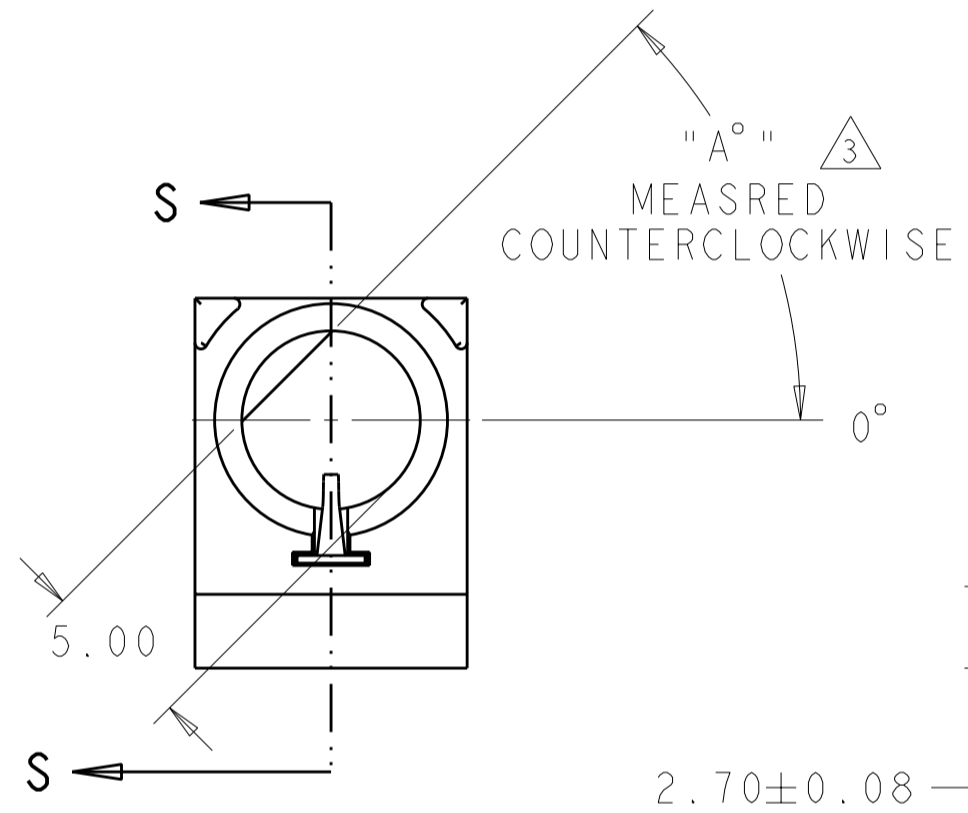


LOC	DIST	REVISIONS			
P	LTR	DESCRIPTION	DATE	DWN	APVD
AD	00	A	RELEASED PER RTS 359806.1	04AUG2010	WS RP

PART NO.	"A" °	HOUSING	CONTACT
1410338-1	0°	△5	△6
1410338-2	45°	△5	△6
1410338-3	90°	△5	△6
1410338-4	270°	△5	△6
1410338-5	315°	△5	△6
1410338-6	△7	△5	△6



- 1 MATERIAL: HOUSING: ZINC ALLOY DIE CASTING, ZAMAK 3; CONTACT: PHOSPHOR BRONZE
- 2 HOLE FOR POSITIVE RETENTION SCREW.
- 3 DASH NUMBERS INDICATE KEY ORIENTATION (P/N 1410338-2 SHOWN ON DRAWING)
- 4 GROUND PAD Ø5mm ON BOTH SIDE OF PCB.
- 5 FINISH: 3.0µm MIN NICKEL OVER COPPER
- 6 CONTACT FINISH: 1.27µm MINIMUM NICKEL ALL OVER
- 7 GUIDE MODULE W/O KEYING
GUIDE PIN 1410337 SERIES MUST BE ORIENTED TO PROVIDE PROPER ESD PERFORMANCE



7.25	1410338
DIM X ADJACENT TO TIER 1 OR TIER 2 ASSEMBLY	PART NO

PRIMARY PCB LAYOUT
CONNECTOR SIDE
SCALE 3: 1

'Y'	PRODUCT
2.5	TIER 1
2.25	TIER 2
1.50	TIER 2 (7-ROW)

THIS DRAWING IS A CONTROLLED DOCUMENT FOR TYCO ELECTRONICS CORPORATION. IT IS SUBJECT TO CHANGE AND THE CONTROLLING ENGINEERING ORGANIZATION SHOULD BE CONTACTED FOR THE LATEST REVISION.		DWN W. SOURBEER 04AUG2010	Tyco Electronics Harrisburg, PA 17105-3608	
DIMENSIONS: mm		CHK B. PATERSON 04AUG2010	NAME MULTIGIG GUIDE MODULE/STANDOFF, RIGHT ANGLE, 20.3mm, DAUGHTERCARD	
TOLERANCES UNLESS OTHERWISE SPECIFIED: 0 PLC ±.5 1 PLC ±.13 2 PLC ±.01 3 PLC ±.01 4 PLC ±0.0001 ANGLES ± FINISH		APVD -	PRODUCT SPEC 108-2072	RESTRICTED TO -
MATERIAL △1 -		APPLICATION SPEC 114-13056	SIZE A2	SCALE 4: 1
FINISH △5 △6 -		WEIGHT -	CAGE CODE 00779	DRAWING NO 1410338
CUSTOMER DRAWING		SHEET 1 OF 1 REV A		