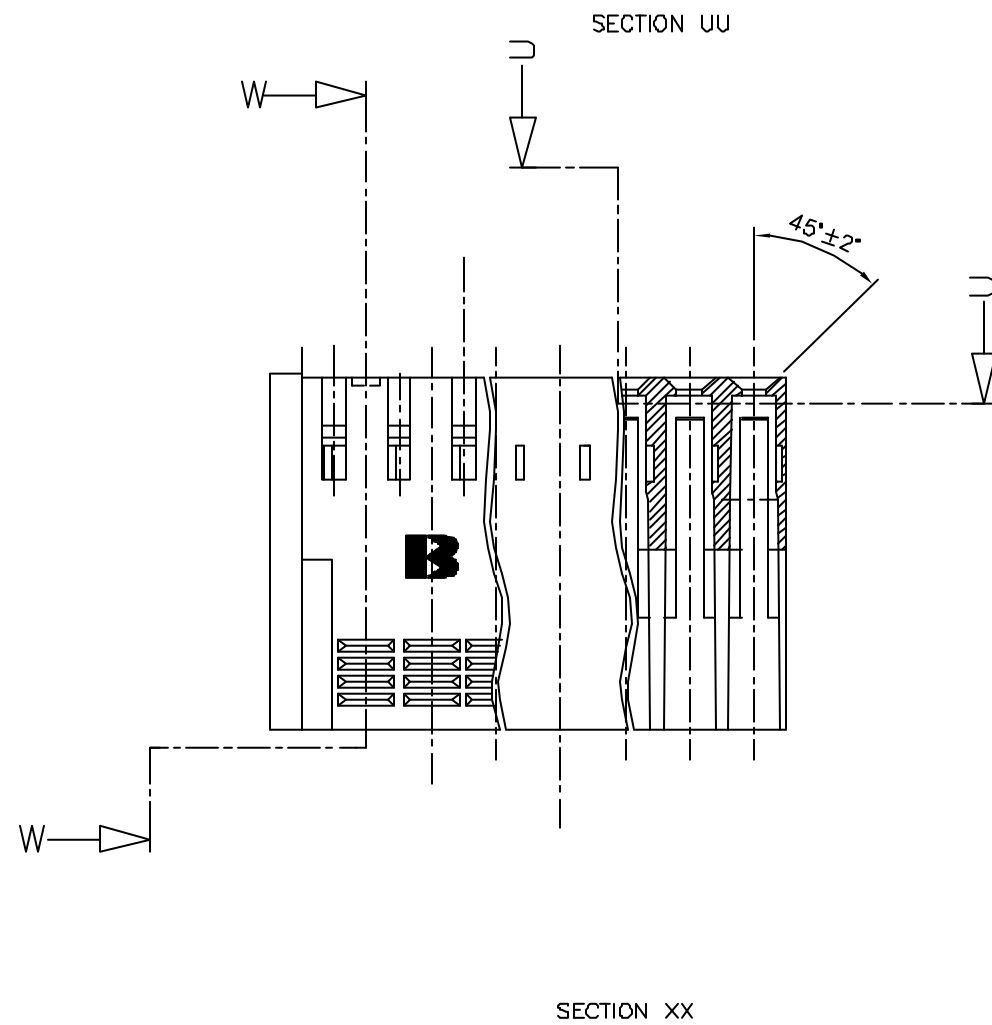
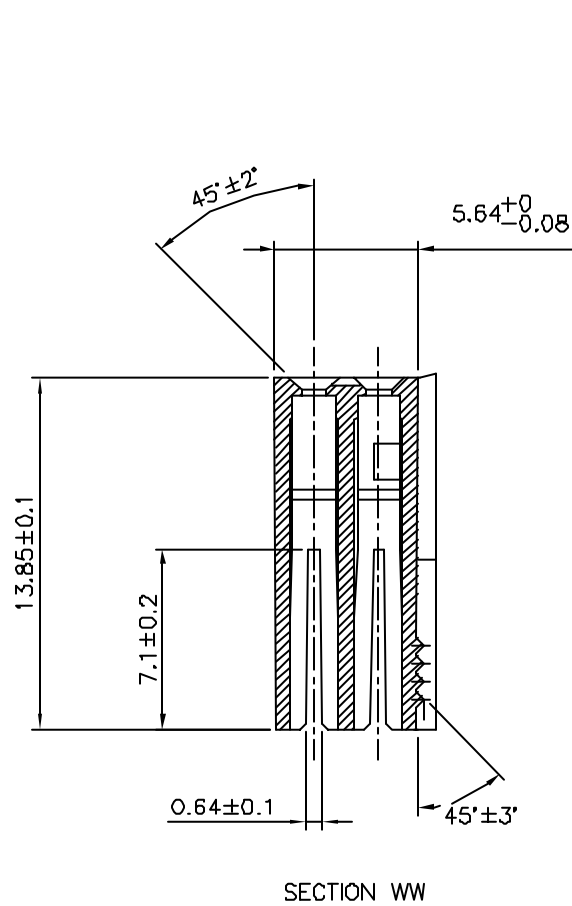
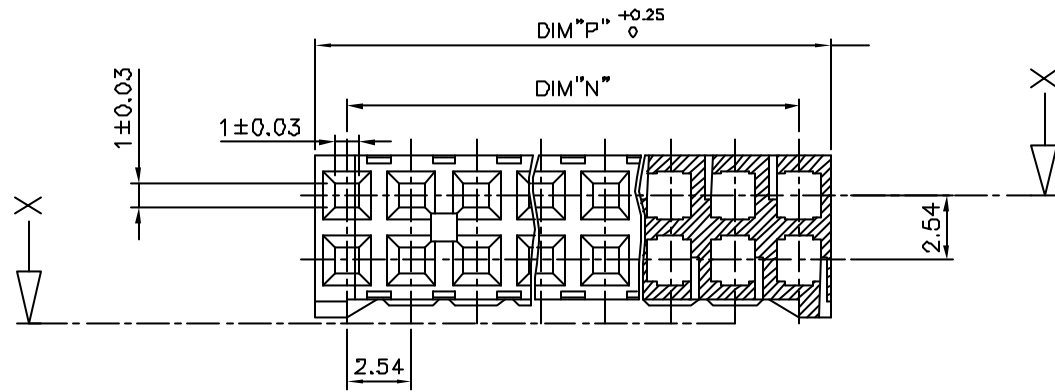


PRODUCT NUMBER  
66987-0XXLF

WHEN NEEDED, SUFFIX LETTER "LF"  
INDICATES THE PRODUCT IS RoHS  
COMPLIANT, SEE NOTE 5



NOTES:

- 1 - MOLDING MATERIAL: PBT 30% GLASS FILLED, COLOUR BLUE, FLAME RETARDANT, ACCORDING TO UL 94, CATEGORY V0.
- 2 - OVER DASH NUMBER -006 ONLY THE FIRST AND LAST THREE POSITIONS MUST HAVE GROOVES ON TWO SIDES
- 3 - THIS HOUSING IS INTENDED FOR USE WITH BERG TERMINAL # 76785-YXX AND BERG HEADERS # 76385-YXX OR 76383-YXX
- 4 - FOR BERG DUFLEX CLINCHER APPLICATION DATA SEE SPECIFICATION TA-333 SHEET 213-10F1
- 5 - RoHS COMPATIBLE PRODUCT SPECIFICATIONS
  - a - LABELING:
    - MEETS PACKAGING SPECS AS PER GS-14-920
  - b - LEGAL STATEMENT: SEE GS-22-008

THE PRODUCT IS NOT INTENDED TO BE EXPOSED TO A MANUFACTURING SOLDER PROCESS.

CUSTOMER COPY FOR REFERENCE ONLY										
mat'l. code	SEE NOTE 1	surface	ISO 1302	tolerance	ISO 406	ISO 101	projection	product family	VCC DR	
lrr	ecr	no	dr	date	tolerances	unless	otherwise	specified	title	
A	F80386	DLE	98.07.10	angles	linear				mm	DUFLEX
B	F00499	PNZ	00.09.13						scale 1:5	HOUSING DOUBLE ROW
C	FD4-D347	DLE	04.12.10							
D	FD5-D189	DLE	05.04.07	dr	D LEGRAND	98.07.10				dwg no
E	FD5-D236	DLE	05.08.24	engr	JM PHAMVAN	98.07.10				sheet 1 of 2
F	FD5-D286	DLE	05.11.07	chr	P NIZZI	98.07.10				size
G	FD6-D226	DLE	06.07.07	appd	JMP	98.07.10				A2
sheet	revision	G	F							type
index	sheet	1	2							CUSTOMER Drawing

PRODUCT NUMBER	NUMBER OF POS.	DIM"N"	DIM"P"
66987-002(LF)	2 x 02	2.54	5.00
66987-003(LF)	2 x 03	5.08	7.54
66987-004(LF)	2 x 04	7.62	10.08
66987-005(LF)	2 x 05	10.16	12.62
66987-006(LF)	2 x 06	12.70	15.16
66987-007(LF)	2 x 07	15.24	17.70
66987-008(LF)	2 x 08	17.78	20.24
66987-009(LF)	2 x 09	20.32	22.78
66987-010(LF)	2 x 10	22.86	25.32
66987-011(LF)	2 x 11	25.40	27.86
66987-012(LF)	2 x 12	27.94	30.40
66987-013(LF)	2 x 13	30.48	32.94
66987-014(LF)	2 x 14	33.02	35.48
66987-015(LF)	2 x 15	35.56	38.02
66987-016(LF)	2 x 16	38.10	40.56
66987-017(LF)	2 x 17	40.64	43.10
66987-018(LF)	2 x 18	43.18	45.64
66987-019(LF)	2 x 19	45.72	48.18
66987-020(LF)	2 x 20	48.26	50.72
66987-021(LF)	2 x 21	50.80	53.26
66987-022(LF)	2 x 22	53.34	55.80
66987-023(LF)	2 x 23	55.88	58.34
66987-024(LF)	2 x 24	58.42	60.88
66987-025(LF)	2 x 25	60.96	63.42
66987-026(LF)	2 x 26	63.50	65.96
66987-027(LF)	2 x 27	66.04	68.50
66987-028(LF)	2 x 28	68.58	71.04
66987-029(LF)	2 x 29	71.12	73.58
66987-030(LF)	2 x 30	73.66	76.12
66987-031(LF)	2 x 31	76.20	78.66
66987-032(LF)	2 x 32	78.74	81.20
66987-033(LF)	2 x 33	81.28	83.74
66987-034(LF)	2 x 34	83.82	86.28
66987-035(LF)	2 x 35	86.36	88.82
66987-036(LF)	2 x 36	88.90	91.36

FCI CONFIDENTIAL



This document is the property of and contains confidential and proprietary information of FCI. It is to be used only for the purpose intended without the written consent of FCI. Copyright FCI

FCIconnect.com

mat'l. code SEE NOTES SHEET 1		surface ISO 1302 <input checked="" type="checkbox"/> ISO 406 ISO 1101		tolerance tolerances unless otherwise specified		projection 1st angle		product family VCC DR	
ltr ecn no dr date		tolerances unless otherwise specified		angles Linear		mm		title DUFLEX HOUSING DOUBLE ROW	
E FOS-0234 DLE 05.08.24		.D±x		°±x'		scale N/A		dwg no 66987	
F FOS-0224 DLE 06.07.07		.DD±.0x		.000±.00x		sheet 2 of 2		size A2	
		dr D LEGRAND 98.07.13		engr P NIZZI 98.07.13		type CUSTOMER Drawing			
		chr D LEGRAND 98.07.13		appo P NZ 98.07.13					
sheet index		revision sheet							