

MATERIALS

HOUSING:

ALUMINUM 6061-T6, NICKEL PLATE PER SAE-AMS-2404

INSULATOR:

LIQUID CRYSTAL POLYMER (LCP) PER ASTM D5138

CONTACT:

COPPER ALLOY PER MIL-DTL-83513, GOLD PLATED PER ASTM B488, (HARD GOLD) TYPE II CODE C CLASS 1.27

WIRE:

NEMA HP3 TYPE E, COLOR CODED IAW MIL-STD-681, SYSTEM 1, USING TEN SOLID REPEATING COLORS

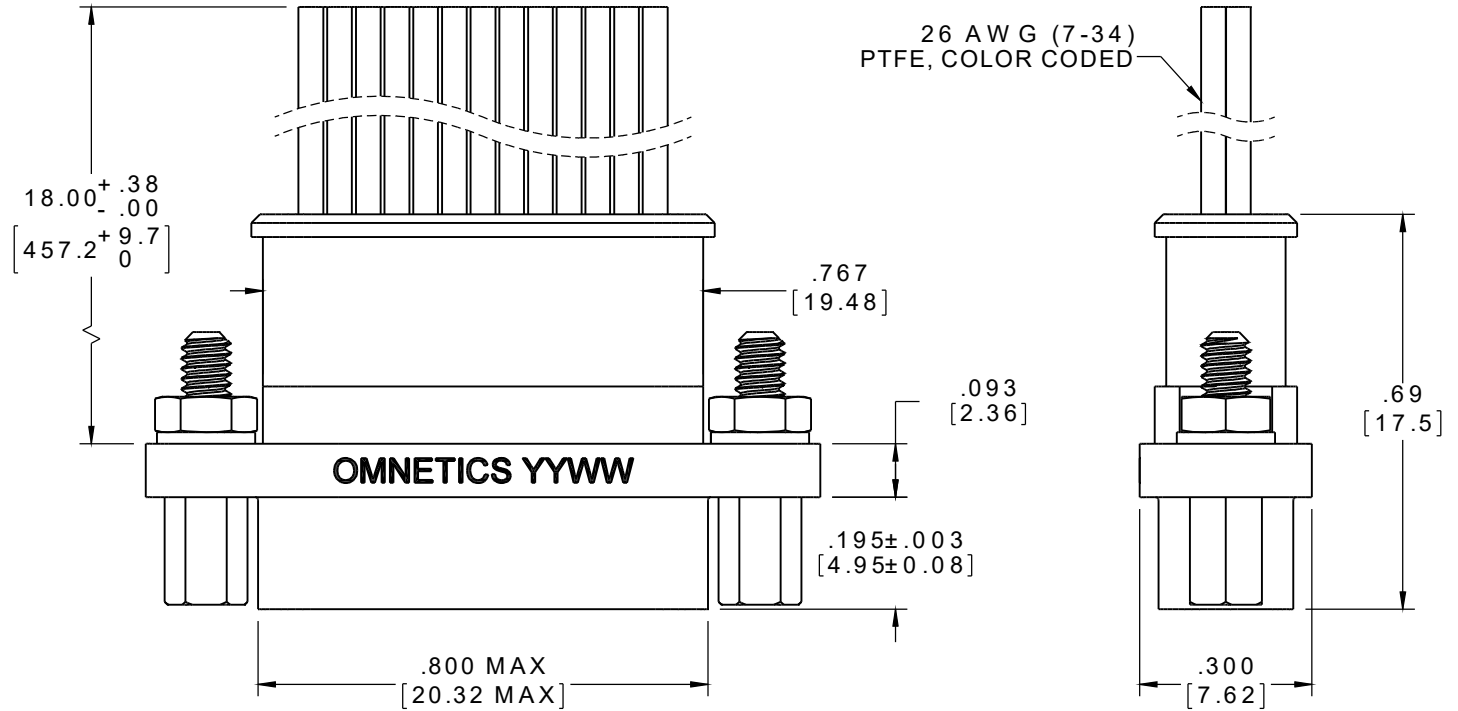
INTERFACIAL SEAL:

SILICONE RUBBER PER A-A-59588

HARDWARE:

STAINLESS STEEL, PASSIVATED PER SAE-AMS-2700

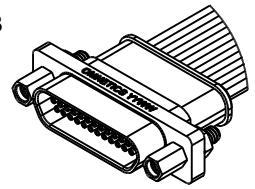
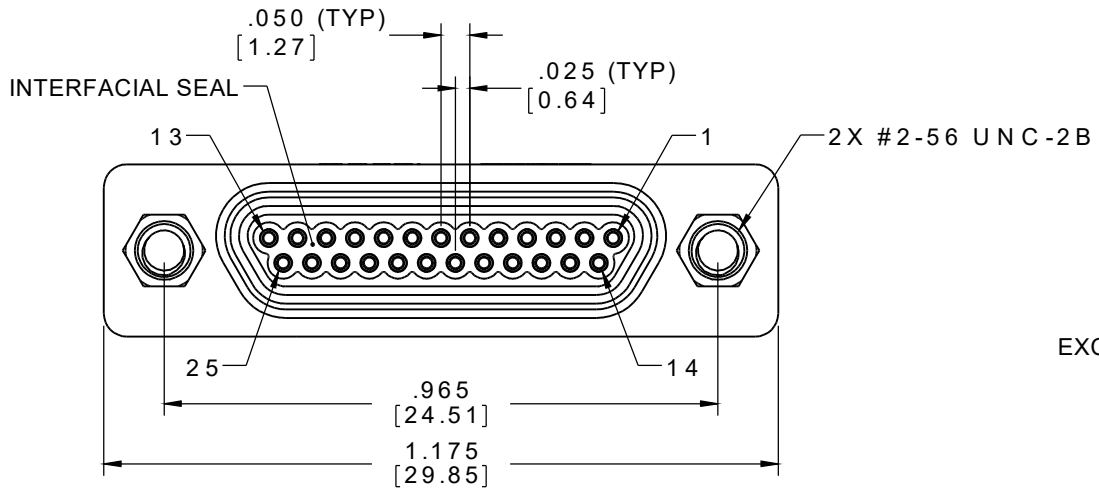
PART NO.	A99279-025	REV	ECO	DATE	APP
		A	102791	08-09-16	HV



26 AWG (7-34) PTFE, COLOR CODED

OMNETICS YYWW

SOCKET #	COLOR
1, 11, 21	BLACK
2, 12, 22	BROWN
3, 13, 23	RED
4, 14, 24	ORANGE
5, 15, 25	YELLOW
6, 16	GREEN
7, 17	BLUE
8, 18	VIOLET
9, 19	GRAY
10, 20	WHITE



ACTUAL SIZE EXCLUDING WIRE LENGTH

RoHS

NOTE:

DIMENSIONS IN [] ARE IN MILLIMETERS UNLESS OTHERWISE NOTED AND ARE FOR REFERENCE ONLY

MMSD/SJW	THIRD ANGLE
	-TOLERANCES- UNLESS OTHERWISE NOTED
	DIMENSIONS IN INCHES
	2 PL DEC ± .01 3 PL DEC ± .005 4 PL DEC ± .0005 ANGLES ± 1°

THIS DRAWING CONTAINS CONFIDENTIAL AND PROPRIETARY INFORMATION WHICH IS THE PROPERTY OF OMNETICS CONNECTOR CORP. THIS DOCUMENT MAY NOT, IN WHOLE OR IN PART, BE DUPLICATED, OR DISCLOSED FOR ANY PURPOSE, WITHOUT WRITTEN PERMISSION FROM OMNETICS CONNECTOR CORP.	
DFTM. HV	DATE 05-31-16
CHK'D.	DATE
APP'D.	DATE
TITLE: (25) SOCKET FEMALE MICRO-D CONNECTOR W/ JACKPOSTS	

OMNETICS
CONNECTOR CORPORATION
7260 COMMERCE CIRCLE EAST
MINNEAPOLIS, MN 55432
WWW.OMNETICS.COM

CAGE CODE 61873	
DWG NO. A99279-025	
SHEET 1 OF 1	REV A
SCALE: 3:1	