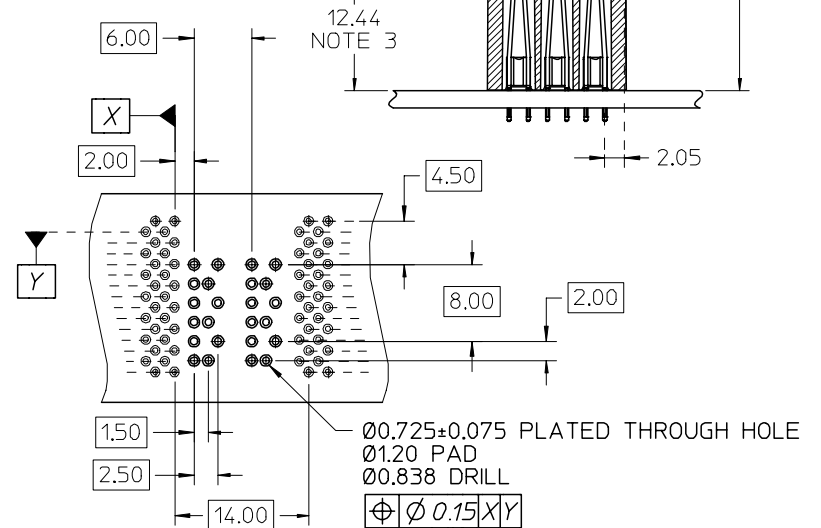
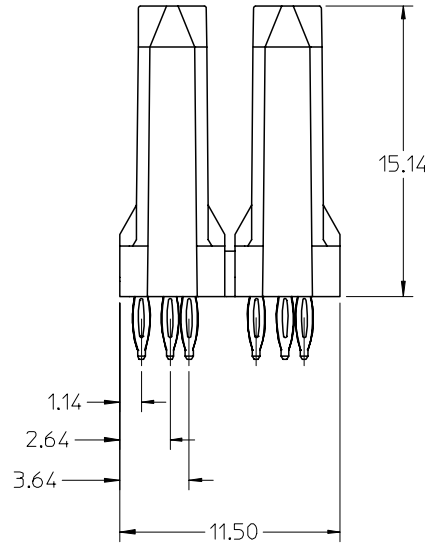
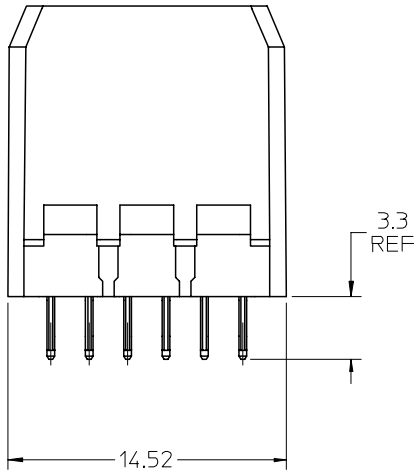
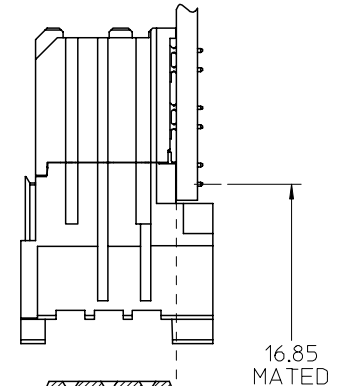
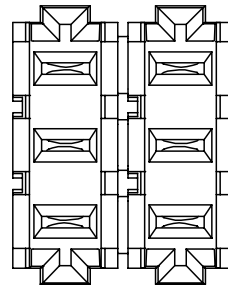


NOTES:

1. MATERIALS:
HOUSING - LIQUID CRYSTAL POLYMER (LCP)
UL94-V0, BLACK
TERMINAL - HIGH PERFORMANCE COPPER ALLOY
2. THIS PART CONFORMS TO MOLEX PRODUCT SPECIFICATION PS-74031-999.
3. DIMENSION IS THE MAXIMUM DISTANCE FROM BOTTOM OF HOUSING TO THE MATING POINT.
4. PACKAGED PER PK-70873-0876.
5. MINIMUM BOARD THICKNESS IS 1.8mm.
6. PART WILL BE LASER MARKED WITH P/N AND DATE CODE.



ASSEMBLY P/N	PLATING THICKNESS (MATING SURFACE)
74029-80*2	
-8002	30 µin Au
-8052	50 µin Au

INITIAL RELEASE EC NO: UCP2005-0978 DRWN: CBIXLER 2004/12/01 CHKD: SREED 2004/12/06 APPR: SREED 2004/12/06	DESCRIPTION REV: A	QUALITY SYMBOLS	GENERAL TOLERANCES (UNLESS SPECIFIED)	SCALE 4:1	DESIGN UNITS METRIC	THIRD ANGLE PROJECTION	REVISE ON CAD ONLY															
		▽ = 0 ◻ = 0	<table border="1"> <thead> <tr> <th></th> <th>mm</th> <th>INCH</th> </tr> </thead> <tbody> <tr> <td>4 PLACES</td> <td>± ---</td> <td>± ---</td> </tr> <tr> <td>3 PLACES</td> <td>± ---</td> <td>± ---</td> </tr> <tr> <td>2 PLACES</td> <td>± ---</td> <td>± ---</td> </tr> <tr> <td>1 PLACE</td> <td>± ---</td> <td>± ---</td> </tr> </tbody> </table> ANGULAR ± 5°		mm	INCH	4 PLACES	± ---	± ---	3 PLACES	± ---	± ---	2 PLACES	± ---	± ---	1 PLACE	± ---	± ---	DIMENSION STYLE MM ONLY	TITLE	VHDM 8 ROW DUAL POWER BACKPLANE ASSEMBLY	
			mm	INCH																		
		4 PLACES	± ---	± ---																		
3 PLACES	± ---	± ---																				
2 PLACES	± ---	± ---																				
1 PLACE	± ---	± ---																				
DRAFT WHERE APPLICABLE		APPROVED BY SREED	DATE 2004/11/07	MATERIAL NO. SEE CHART		DOCUMENT NO. SD-74029-802	SHEET NO. 1 OF 1															
MUST REMAIN WITHIN DIMENSIONS		THIS DRAWING CONTAINS INFORMATION THAT IS PROPRIETARY TO MOLEX INCORPORATED AND SHOULD NOT BE USED WITHOUT WRITTEN PERMISSION																				